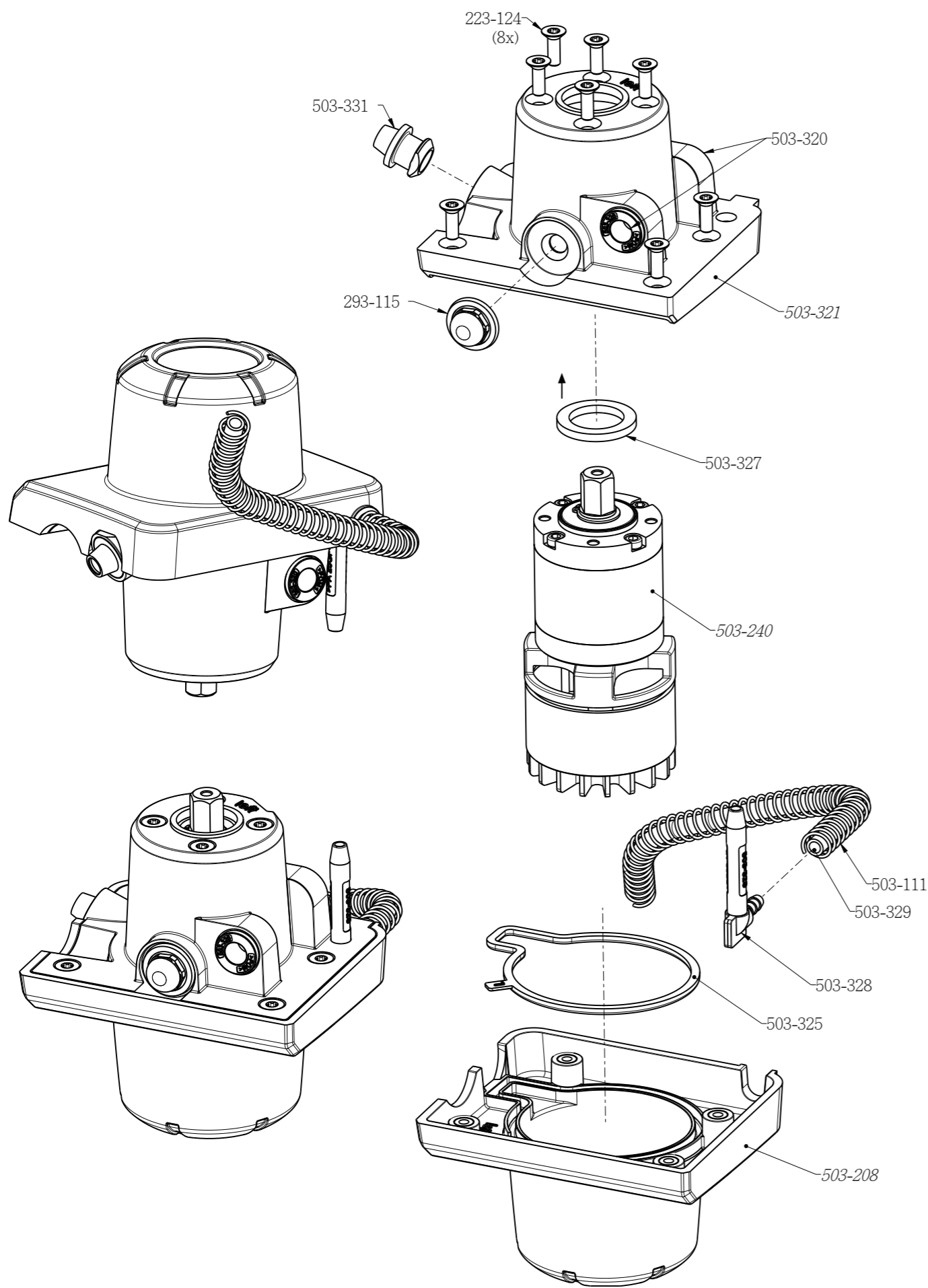


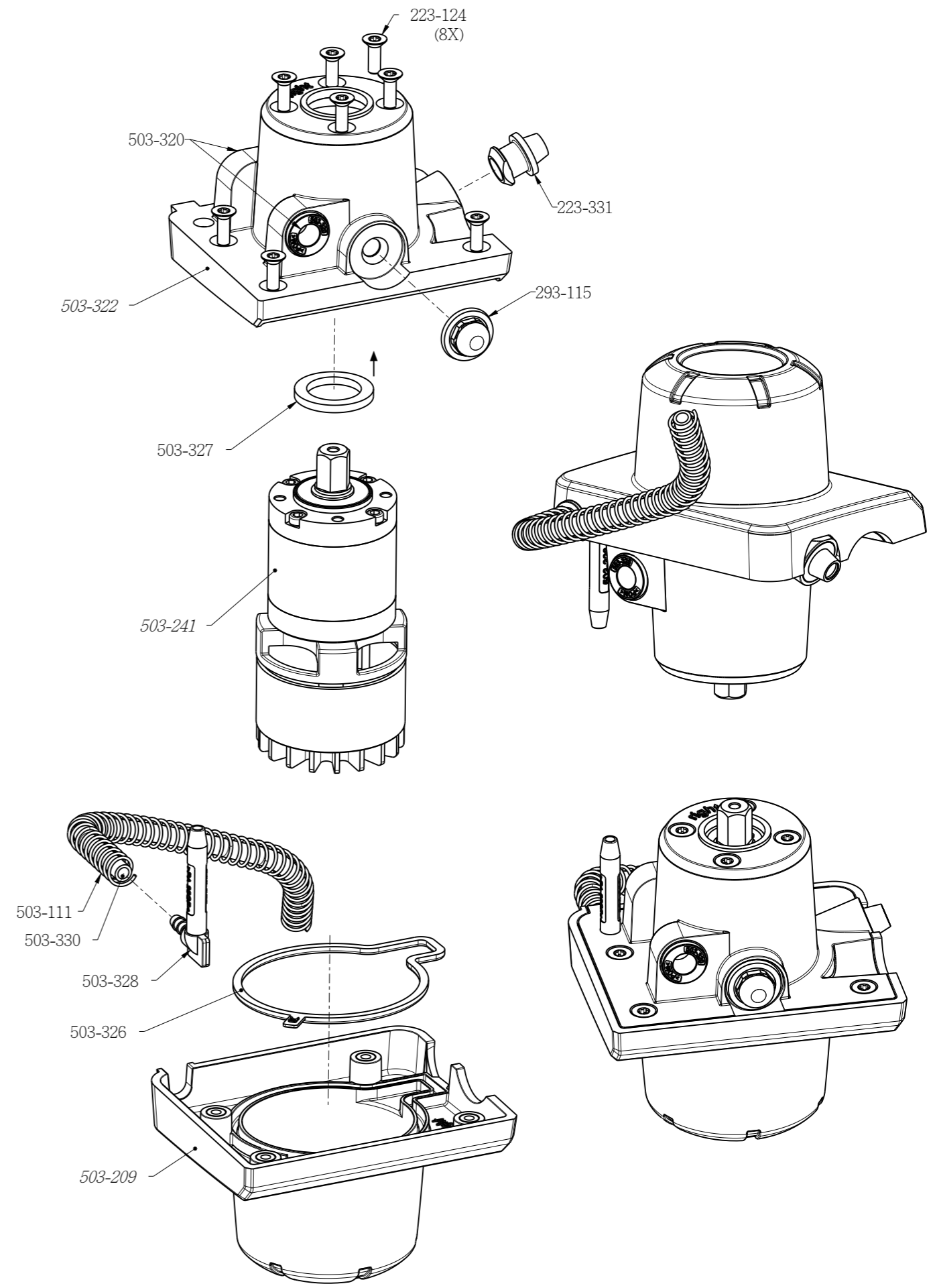
503-001 X1 mop excentr



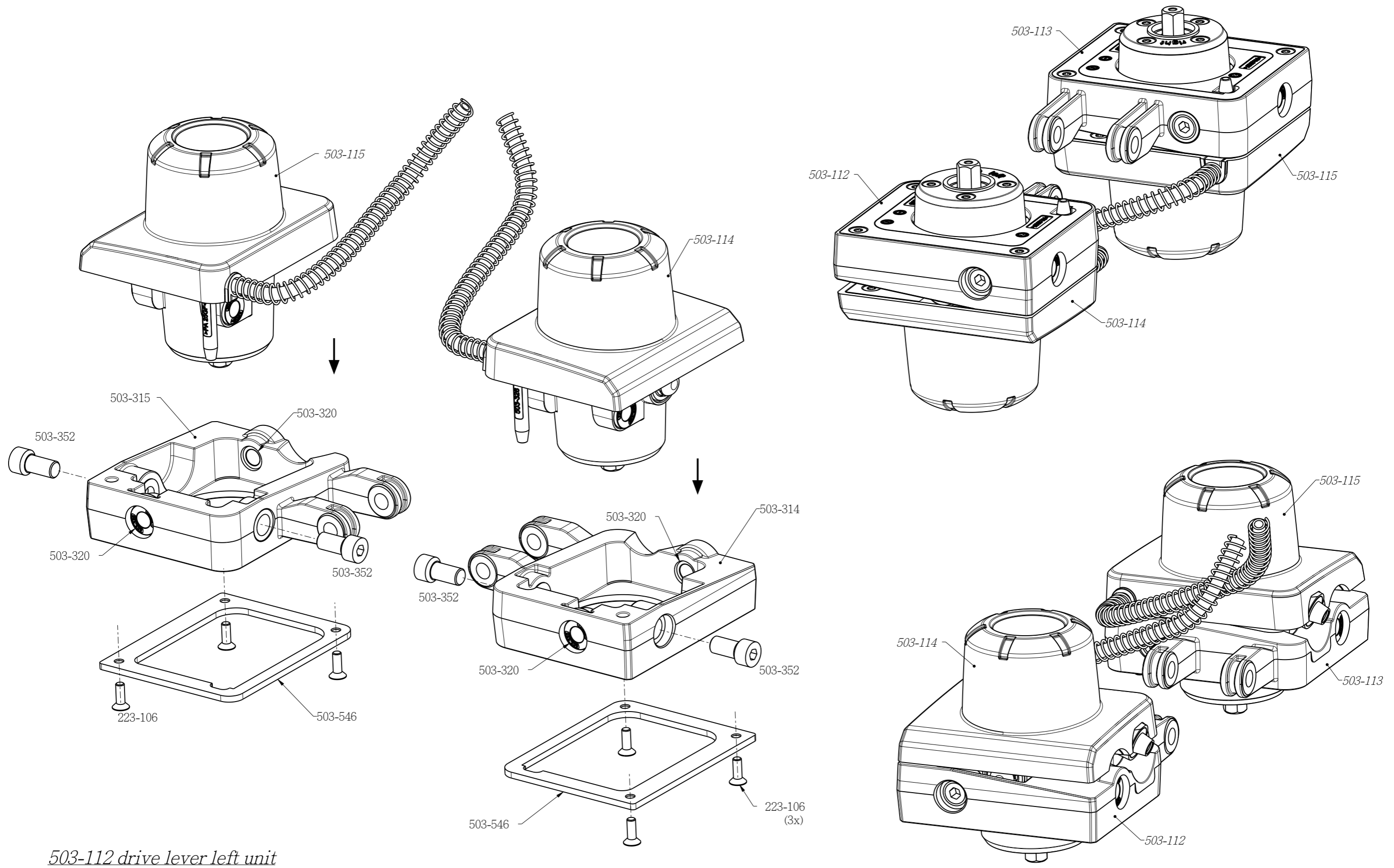
503-002 X1 mop cleanfix



503-114 brush motor left unit

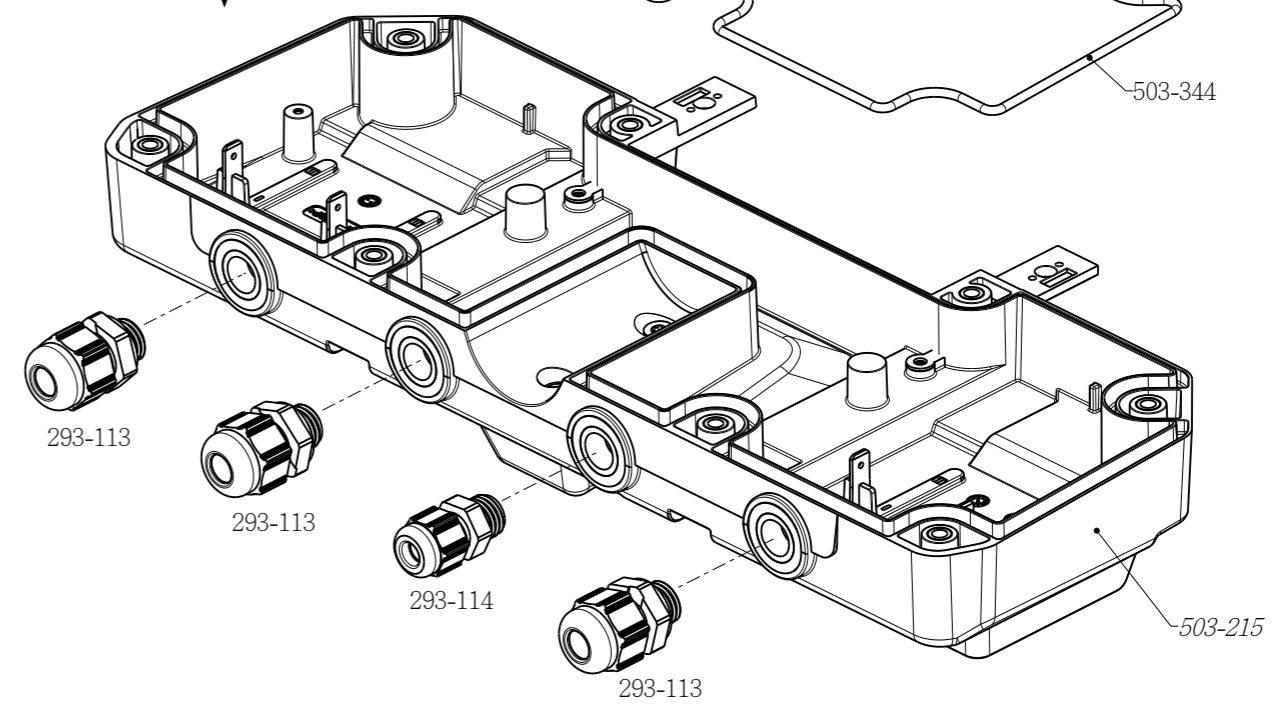
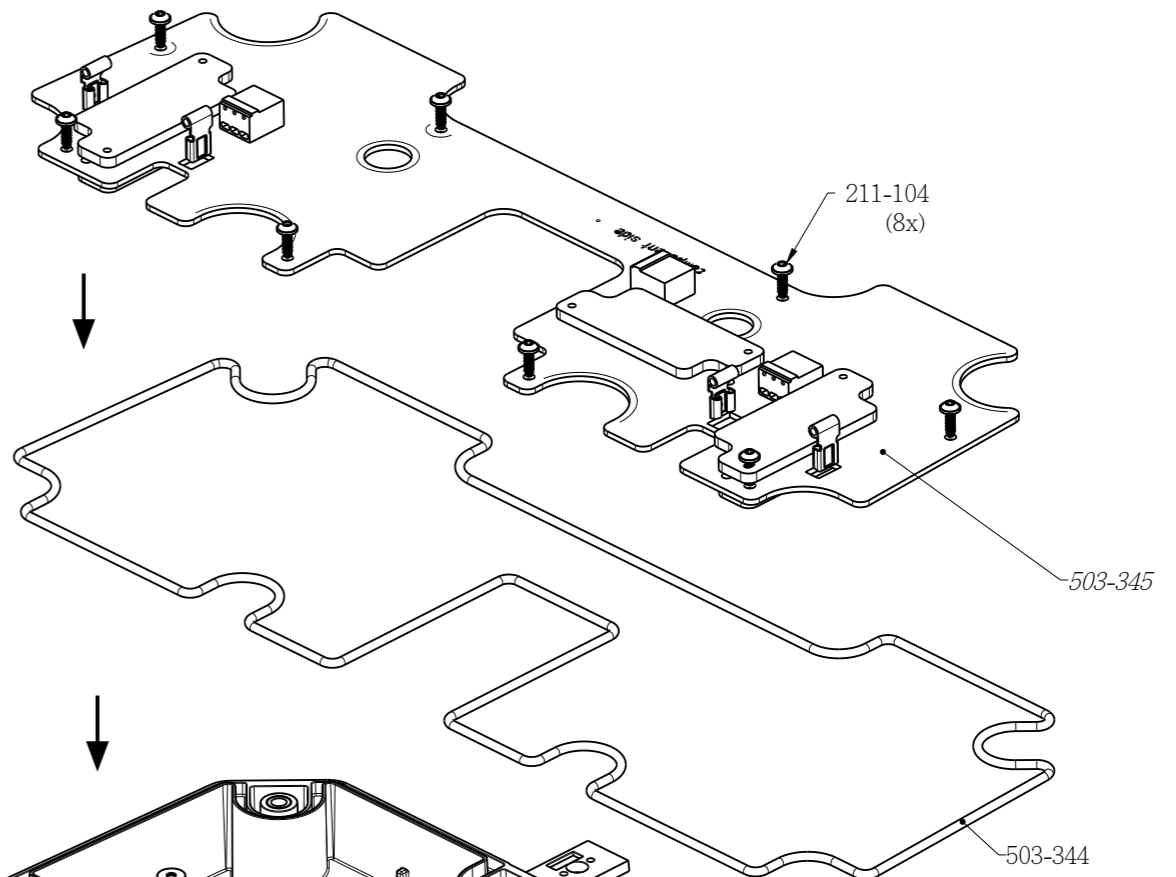
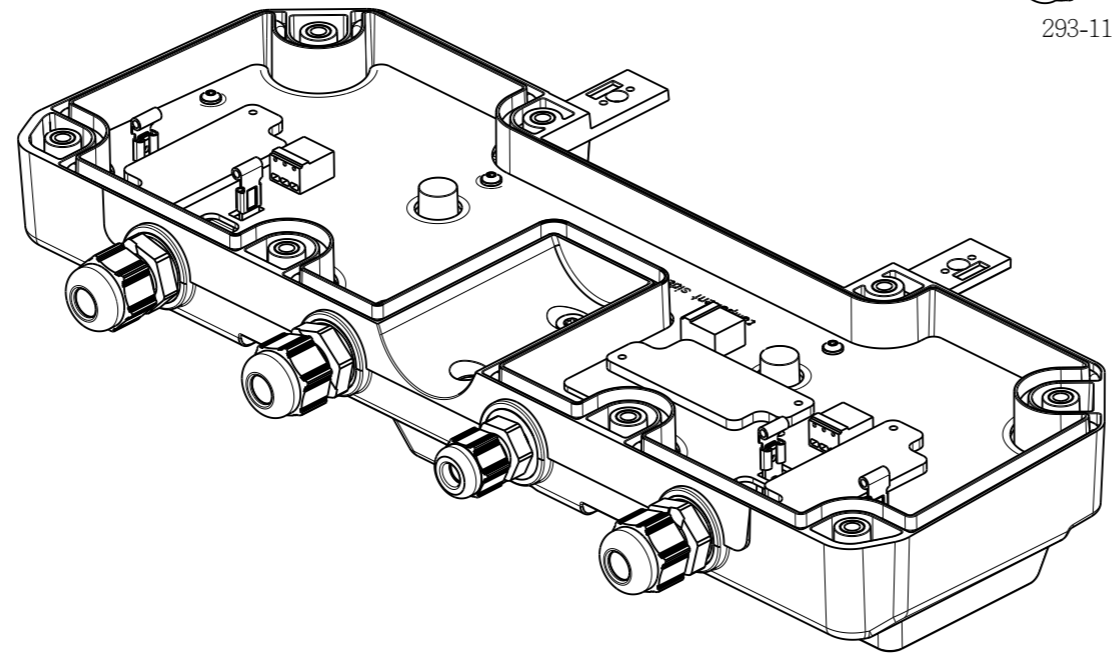
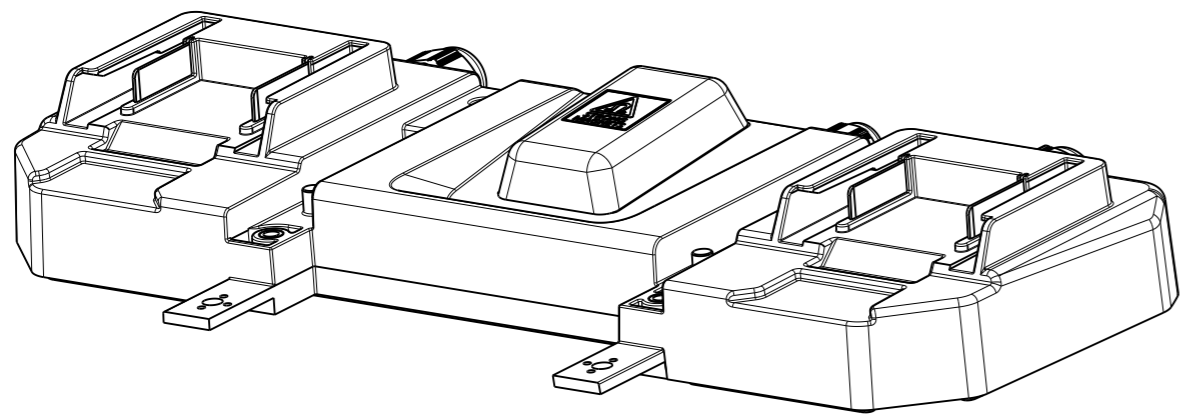
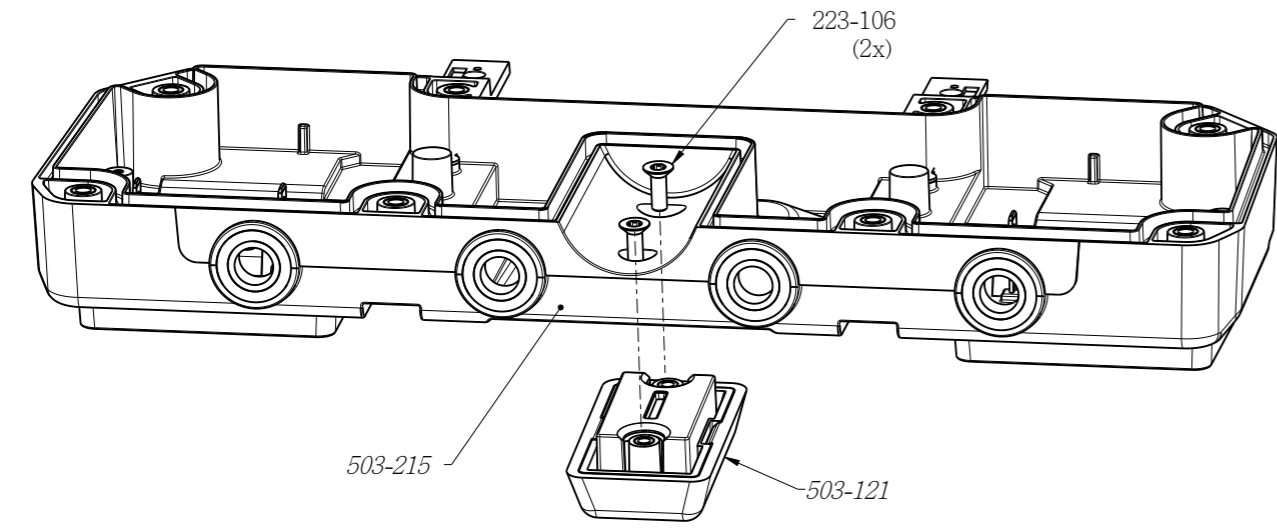


503-115 brush motor right unit



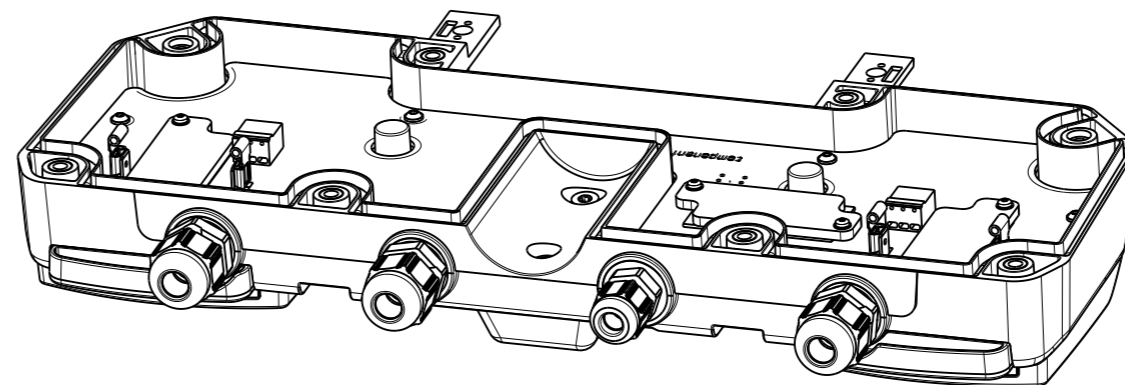
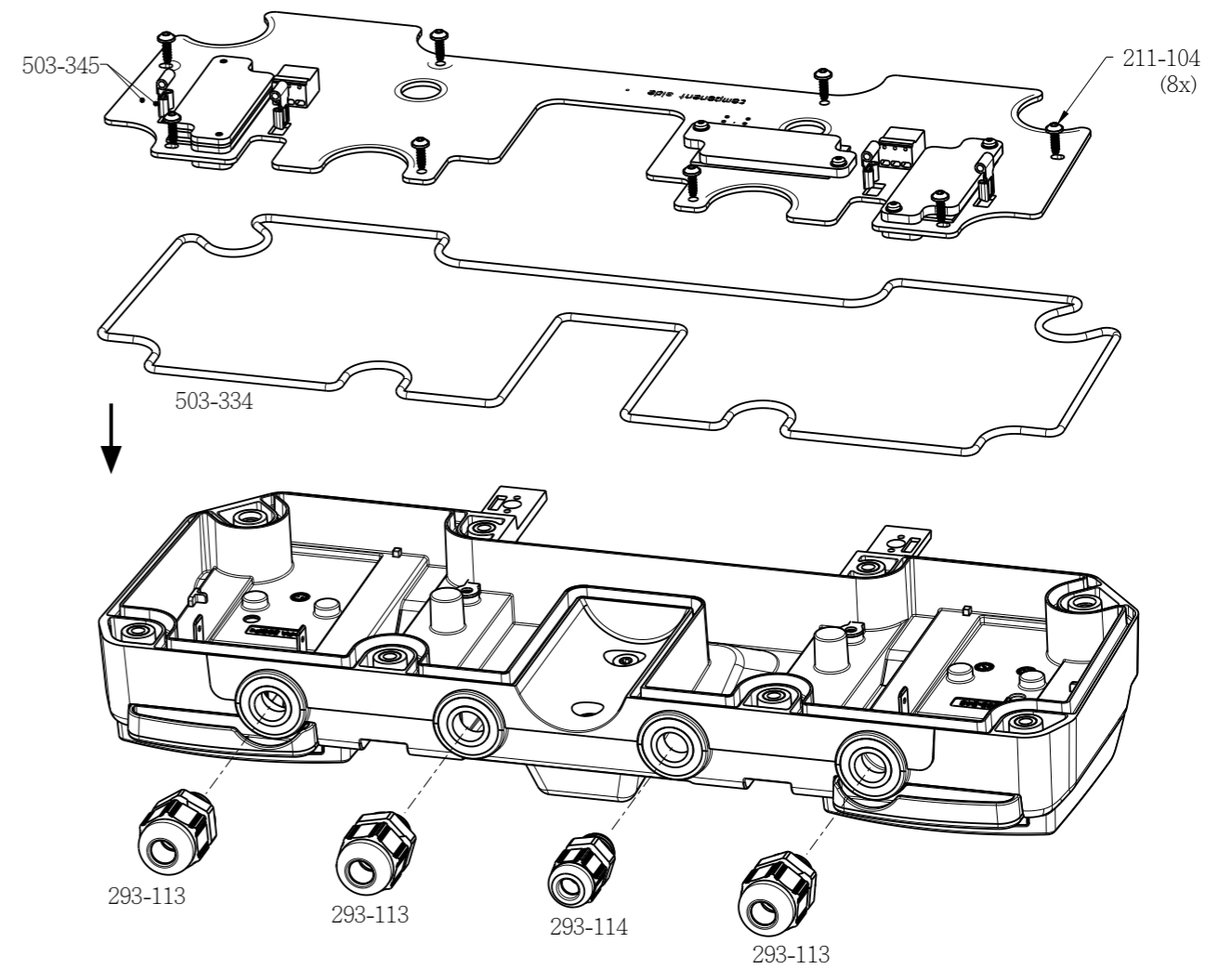
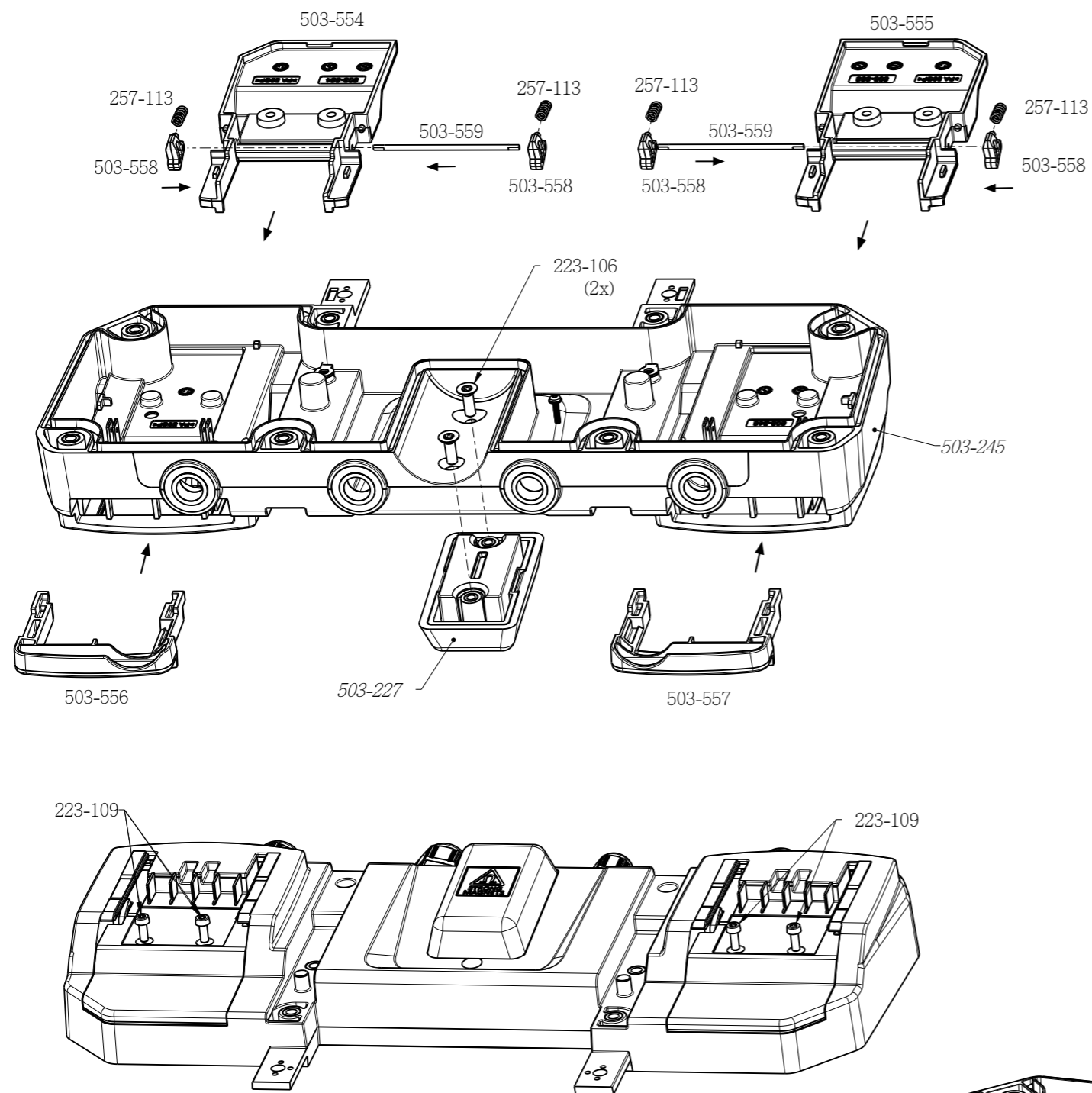
503-112 drive lever left unit

503-113 drive lever right unit



503-108 electronic box makita unit

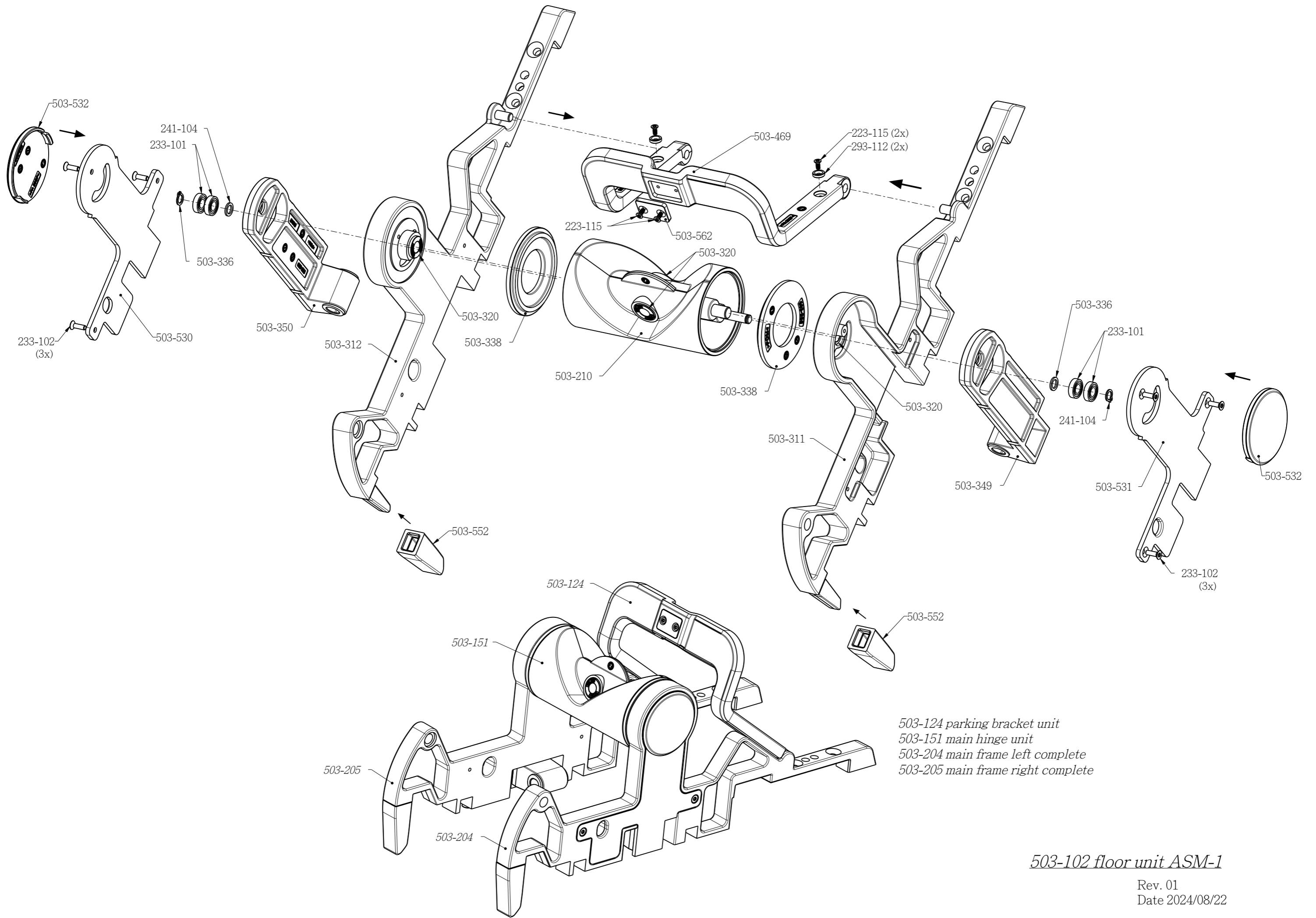
Rev. 01
Date 2024/08/22



503-152 electronic box metabo unit

Rev. 01
Date 2024/08/22

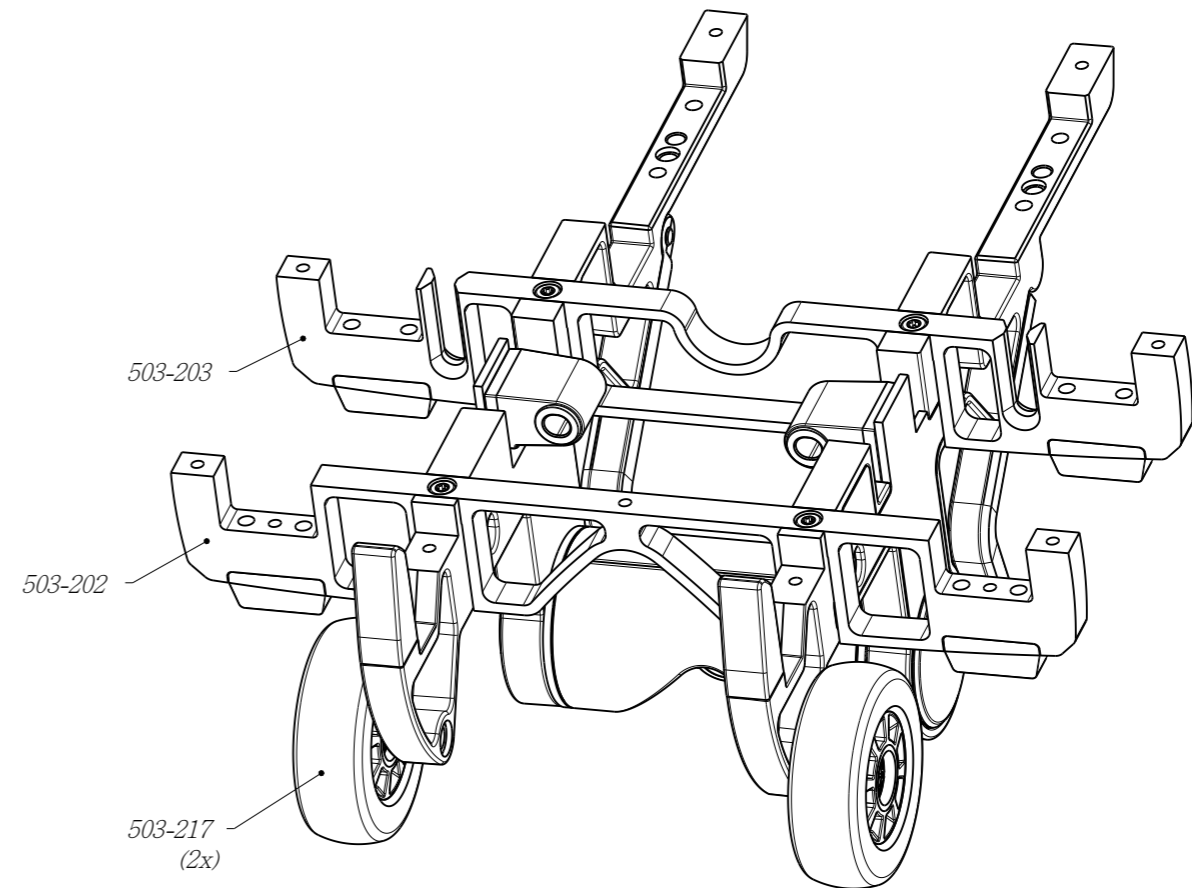
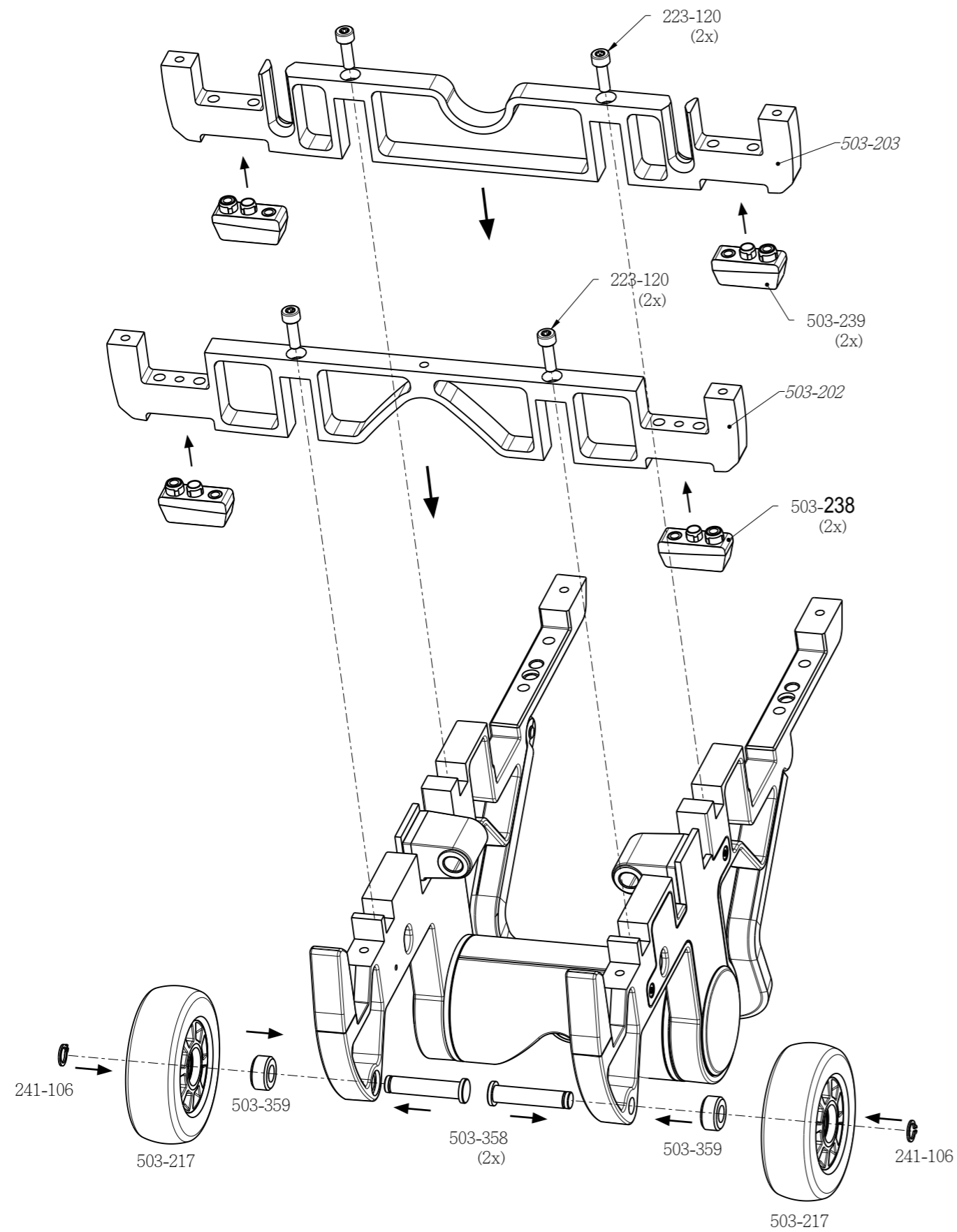
Derek Chen



503-124 parking bracket unit
 503-151 main hinge unit
 503-204 main frame left complete
 503-205 main frame right complete

503-102 floor unit ASM-1

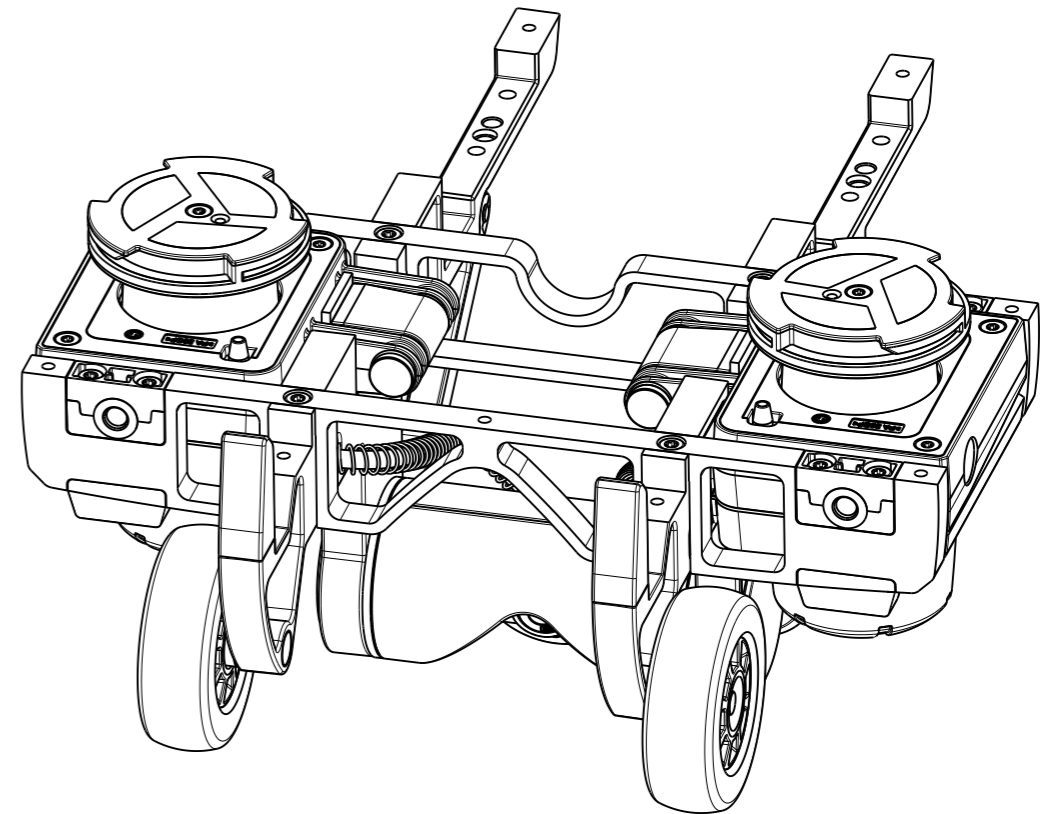
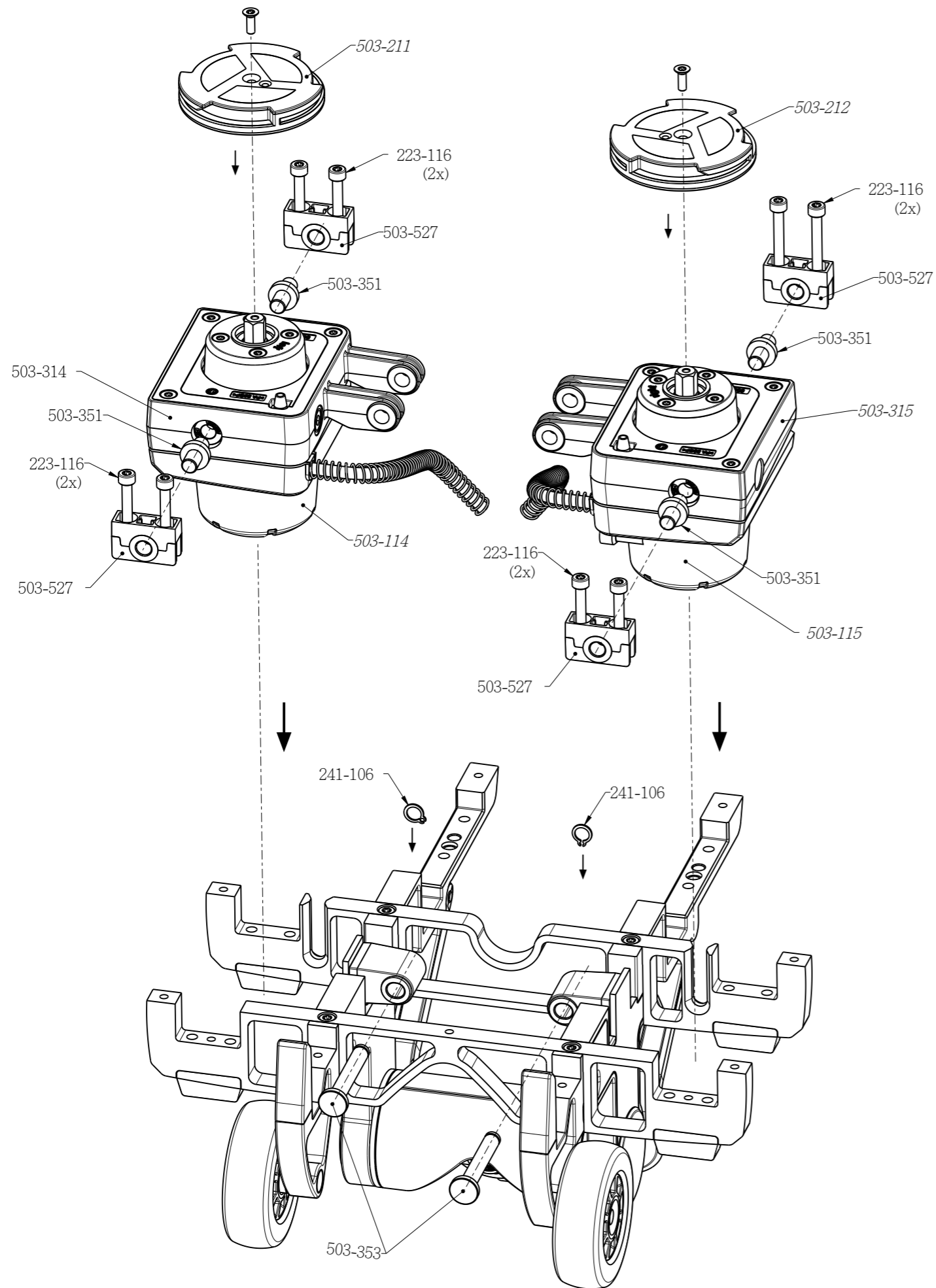
Rev. 01
 Date 2024/08/22



503-217 transport castor complete
 503-202 main frame front complete
 503-203 main frame rear complete

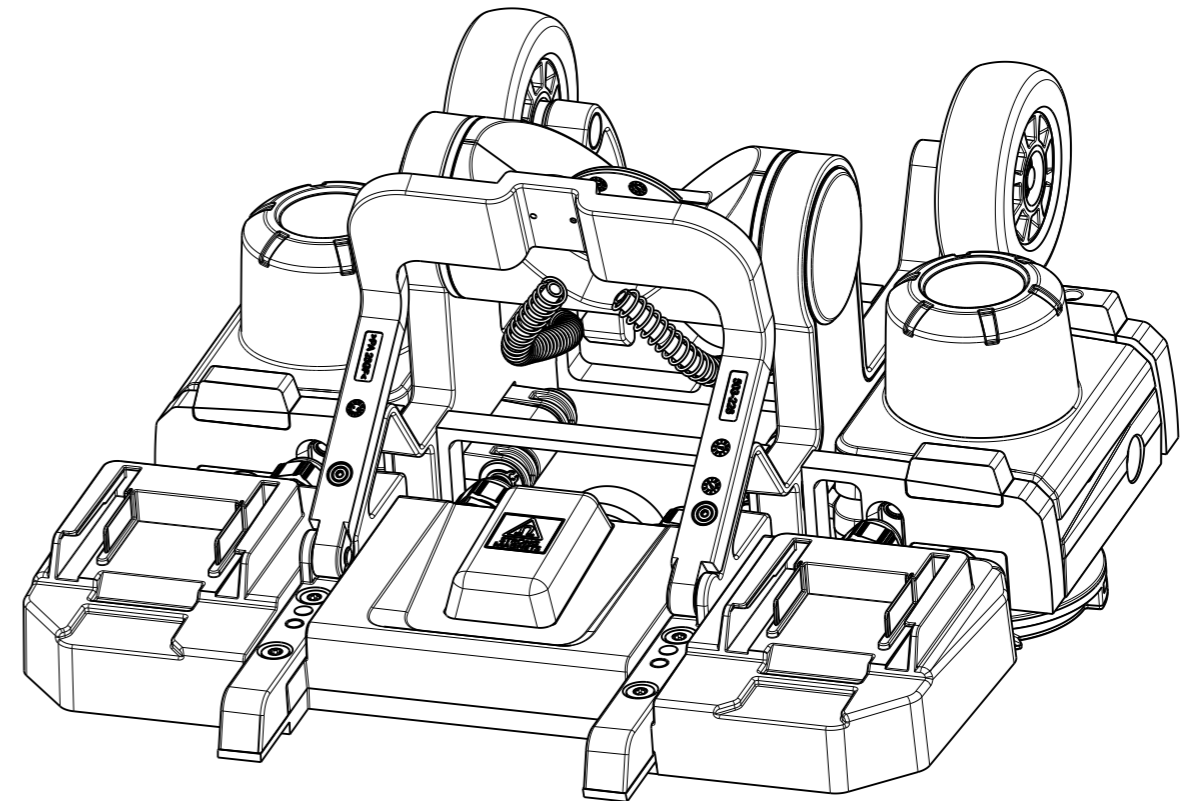
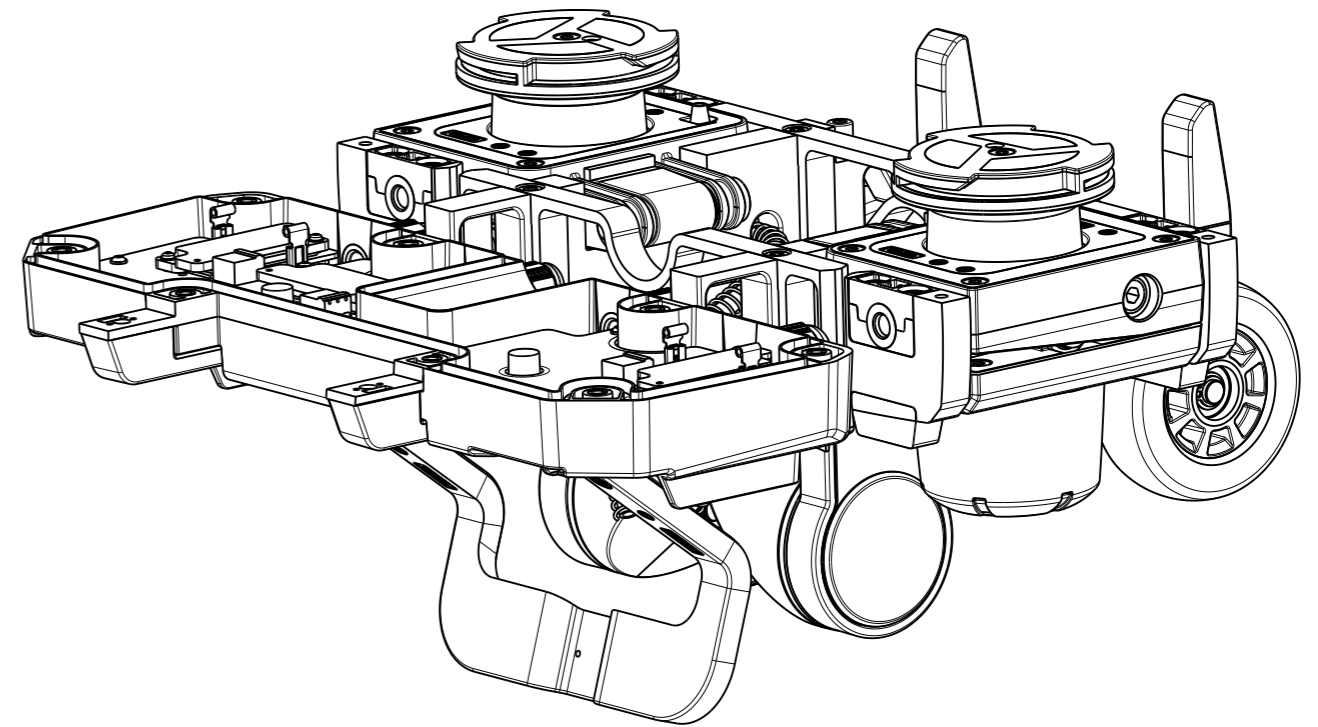
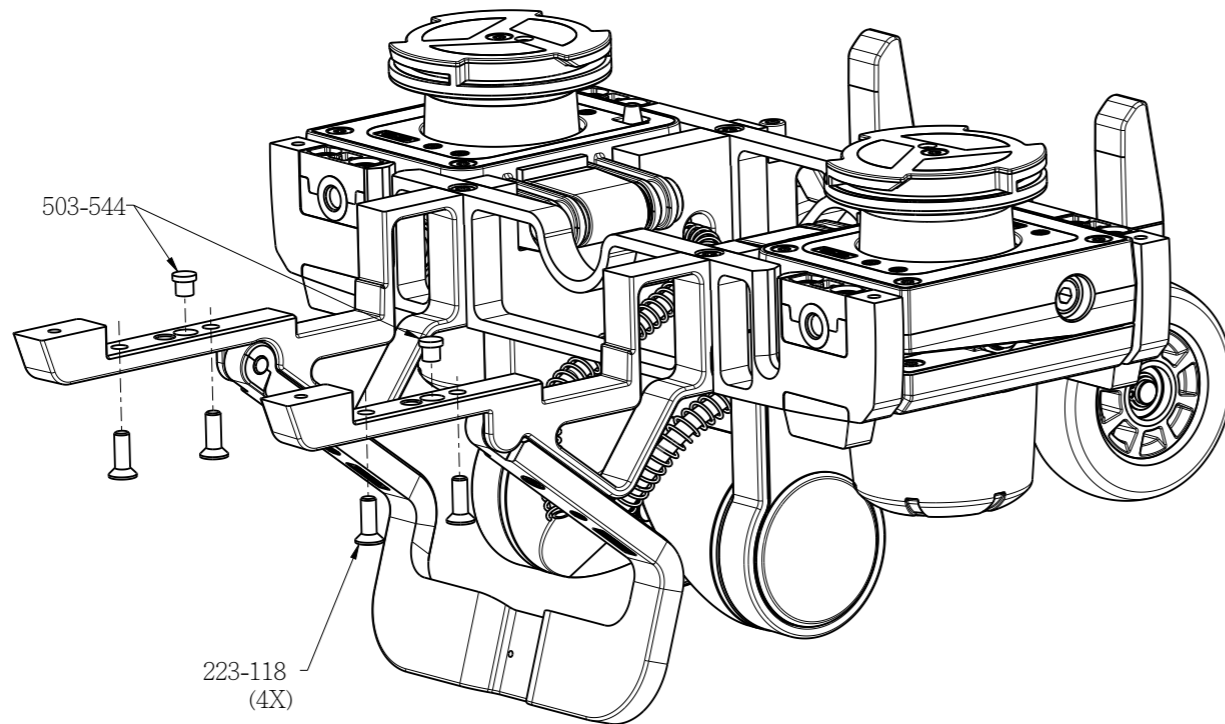
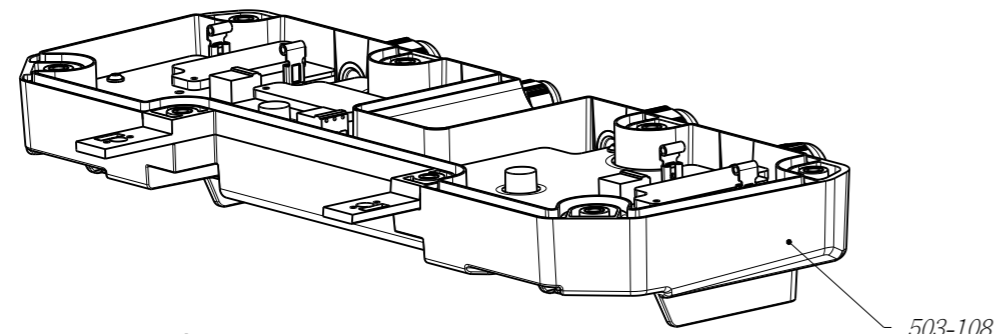
503-102 floor unit ASM-2

Rev. 01
 Date 2024/08/22



503-102 floor unit ASM-3

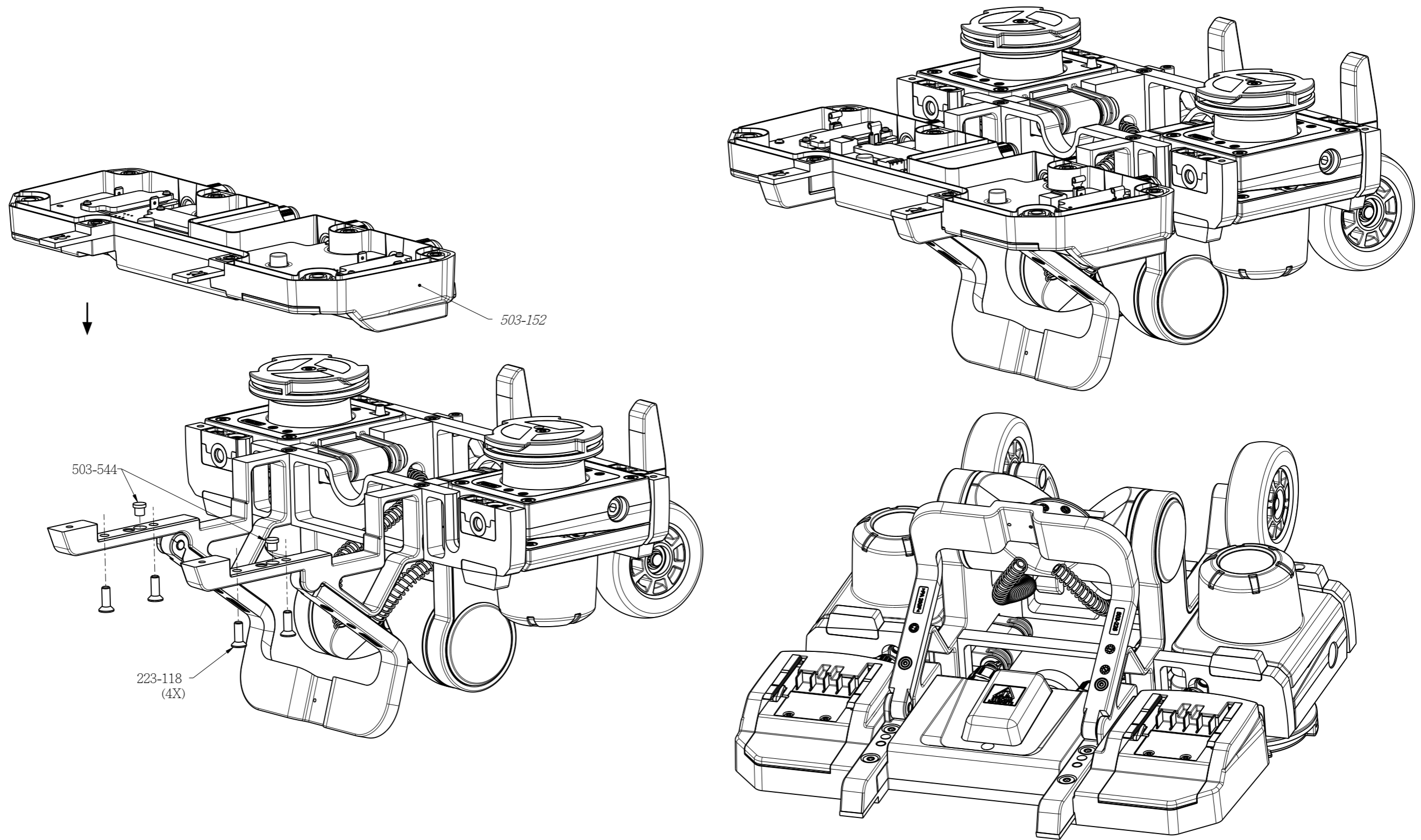
Rev. 02
Date 2024/08/30



503-102 floor unit ASM-4 Makita

Rev. 02
Date 2024/08/30

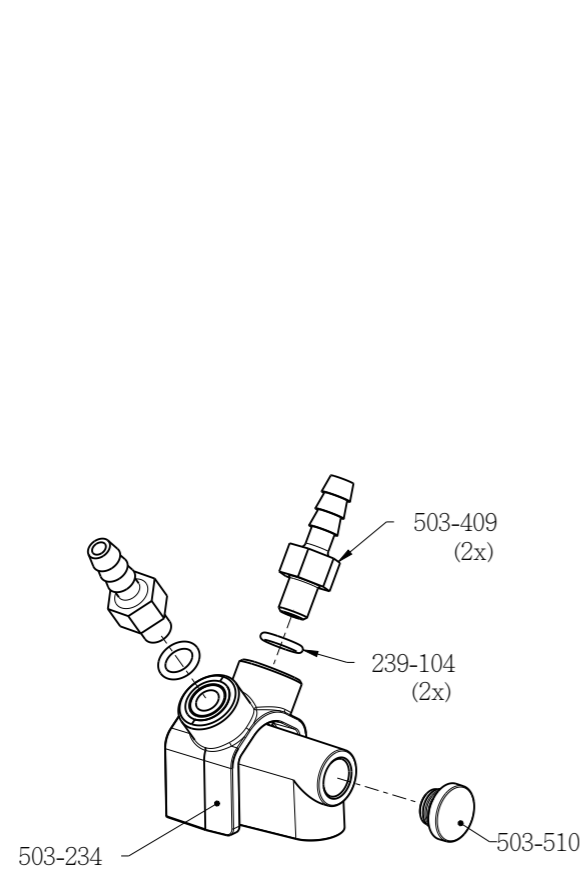
Derek Chen



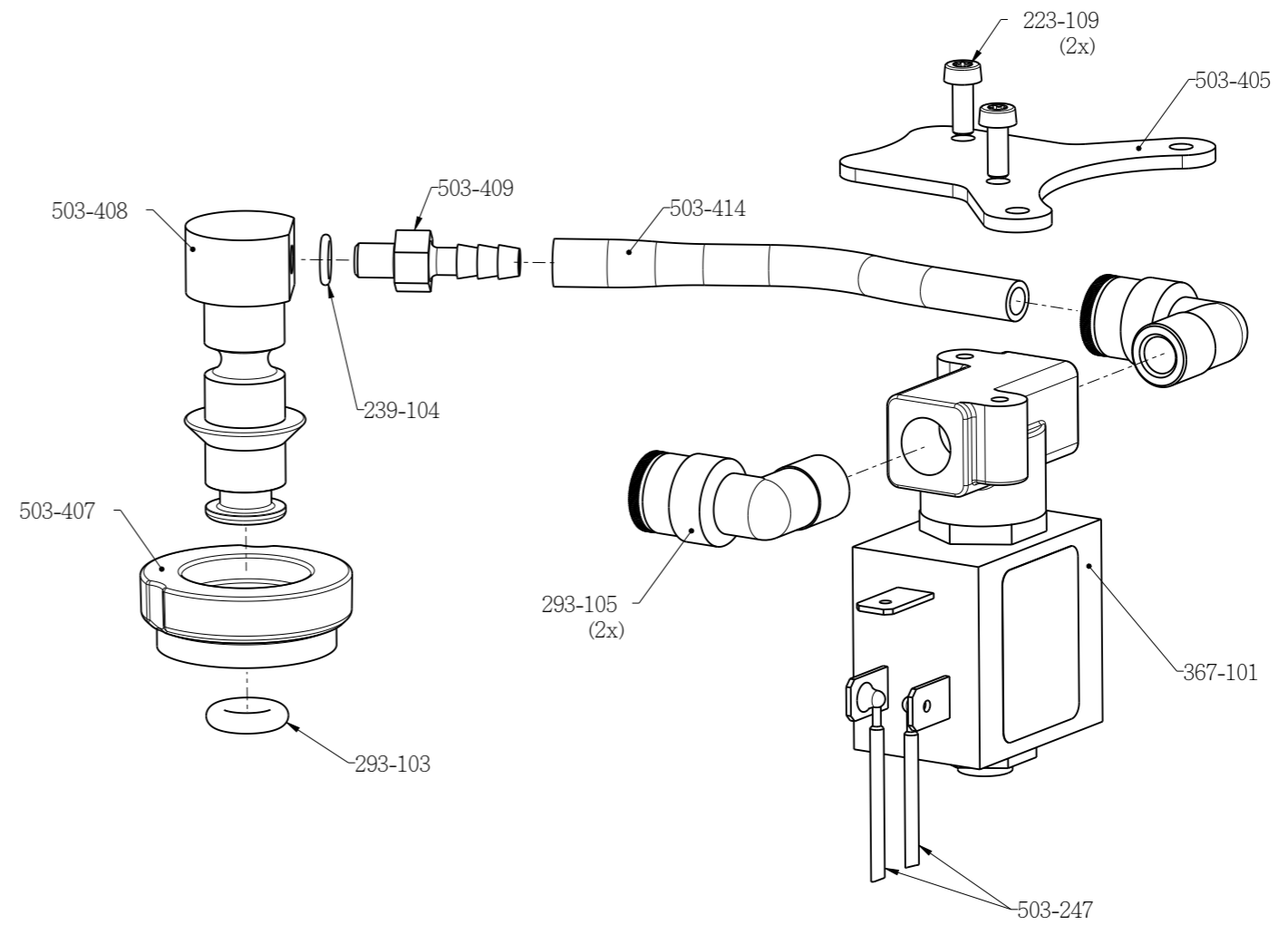
503-102 floor unit ASM-4 Metabo

Rev. 02
Date 2024/08/30

Derek Chen

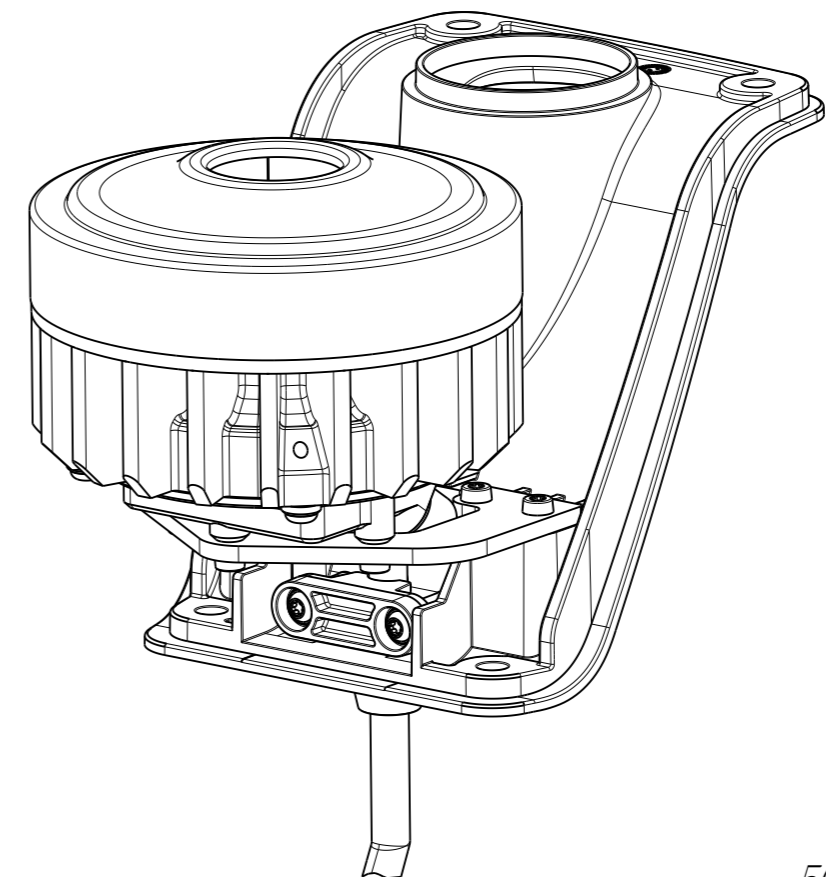
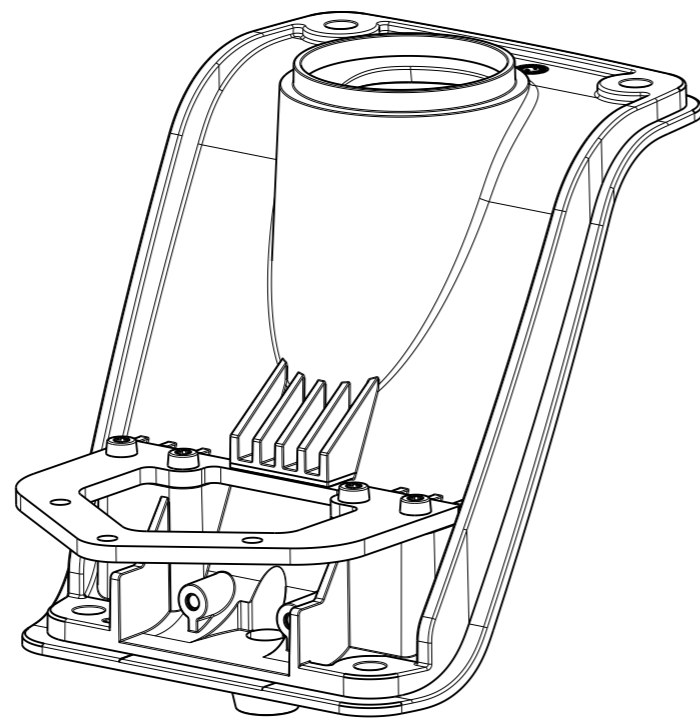
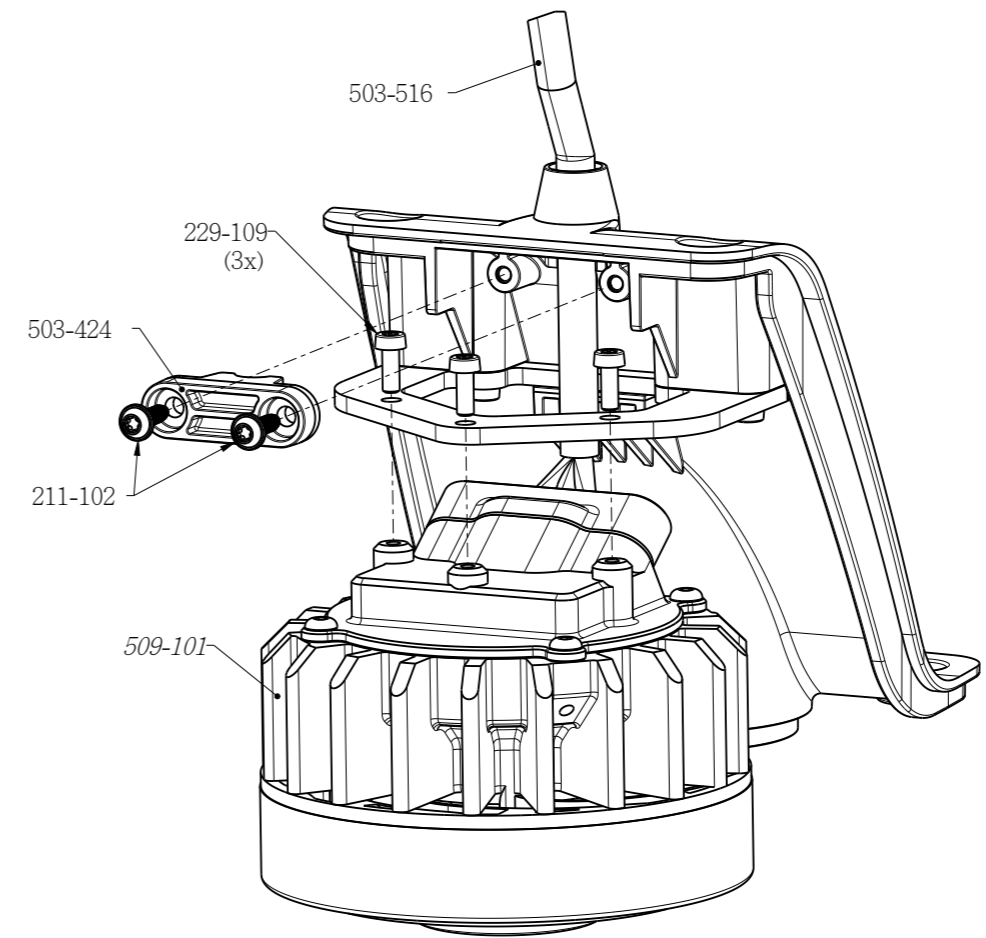
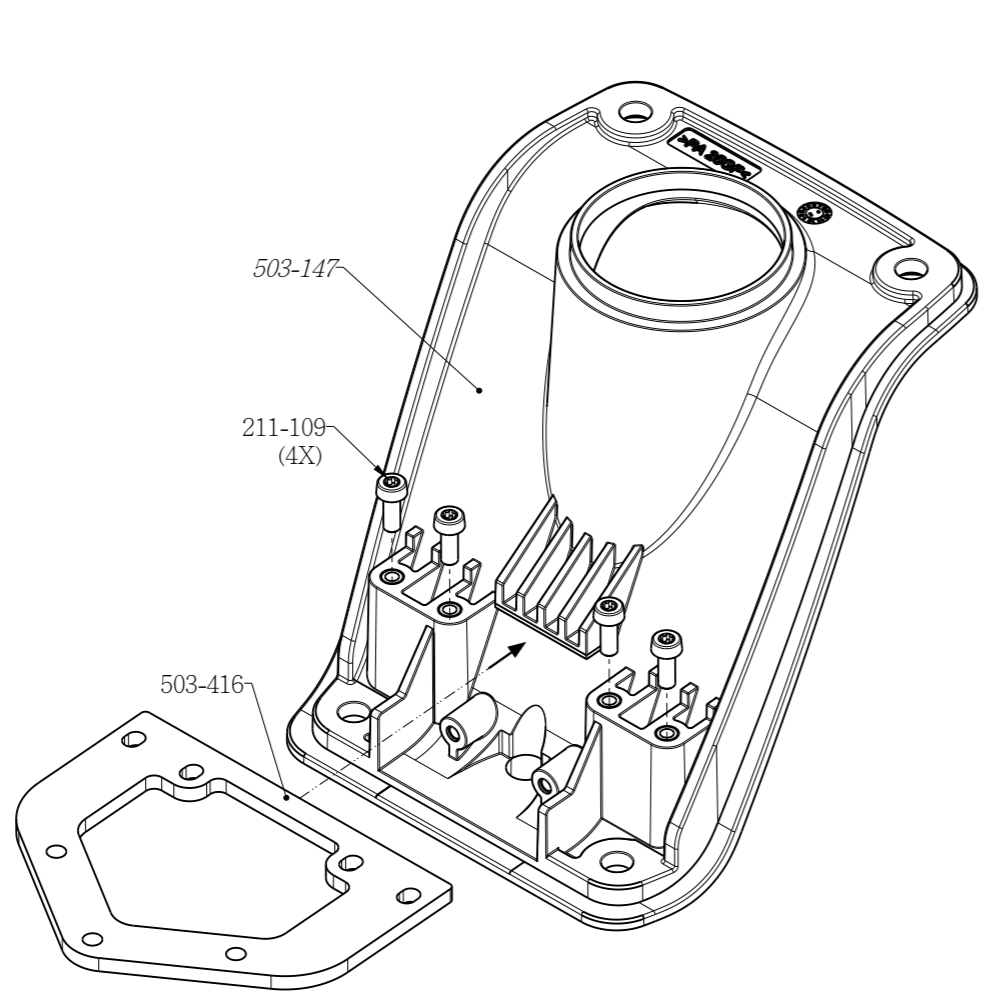


503-122 water coupling unit



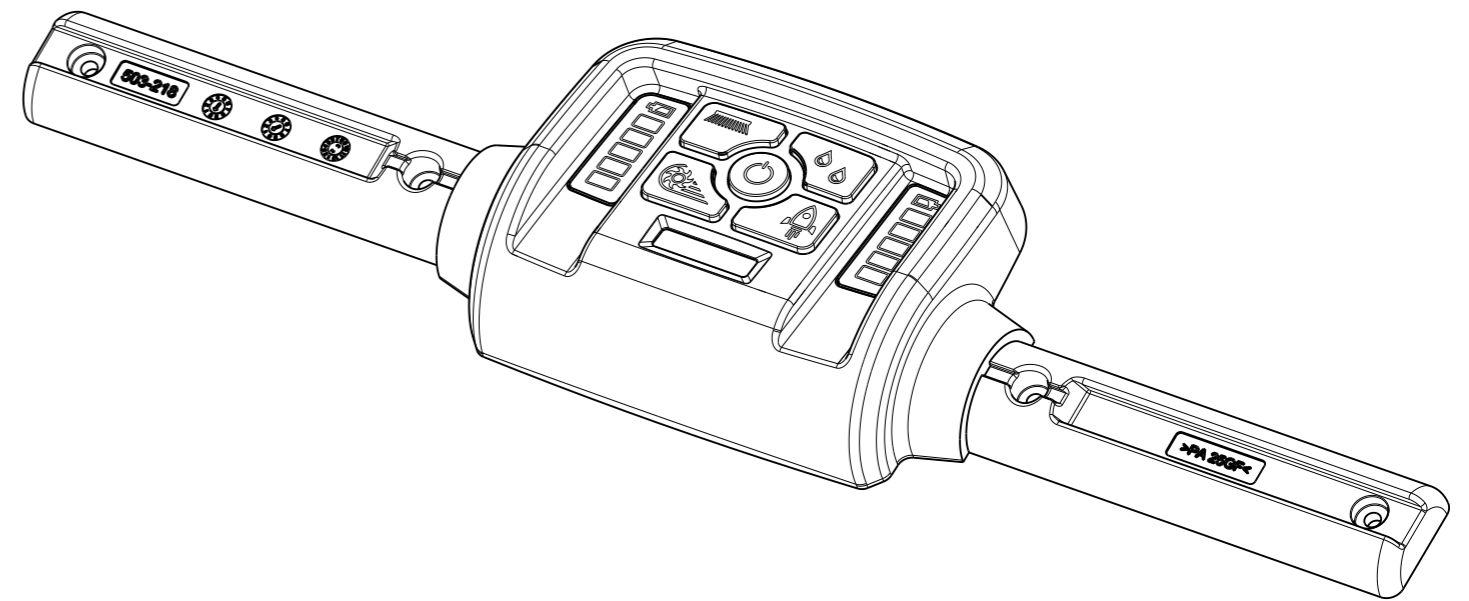
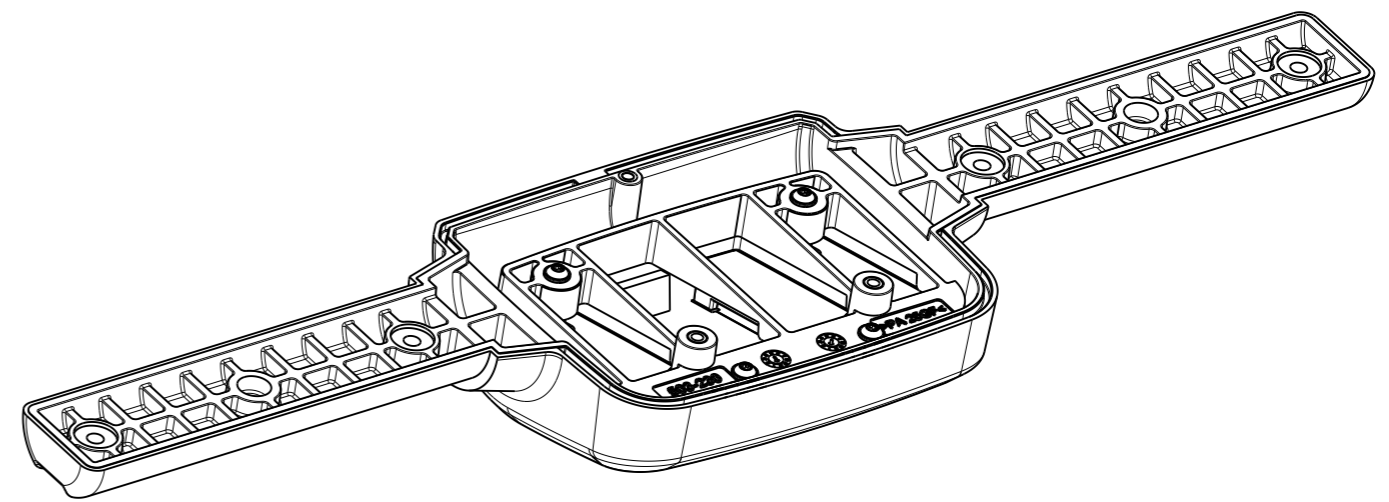
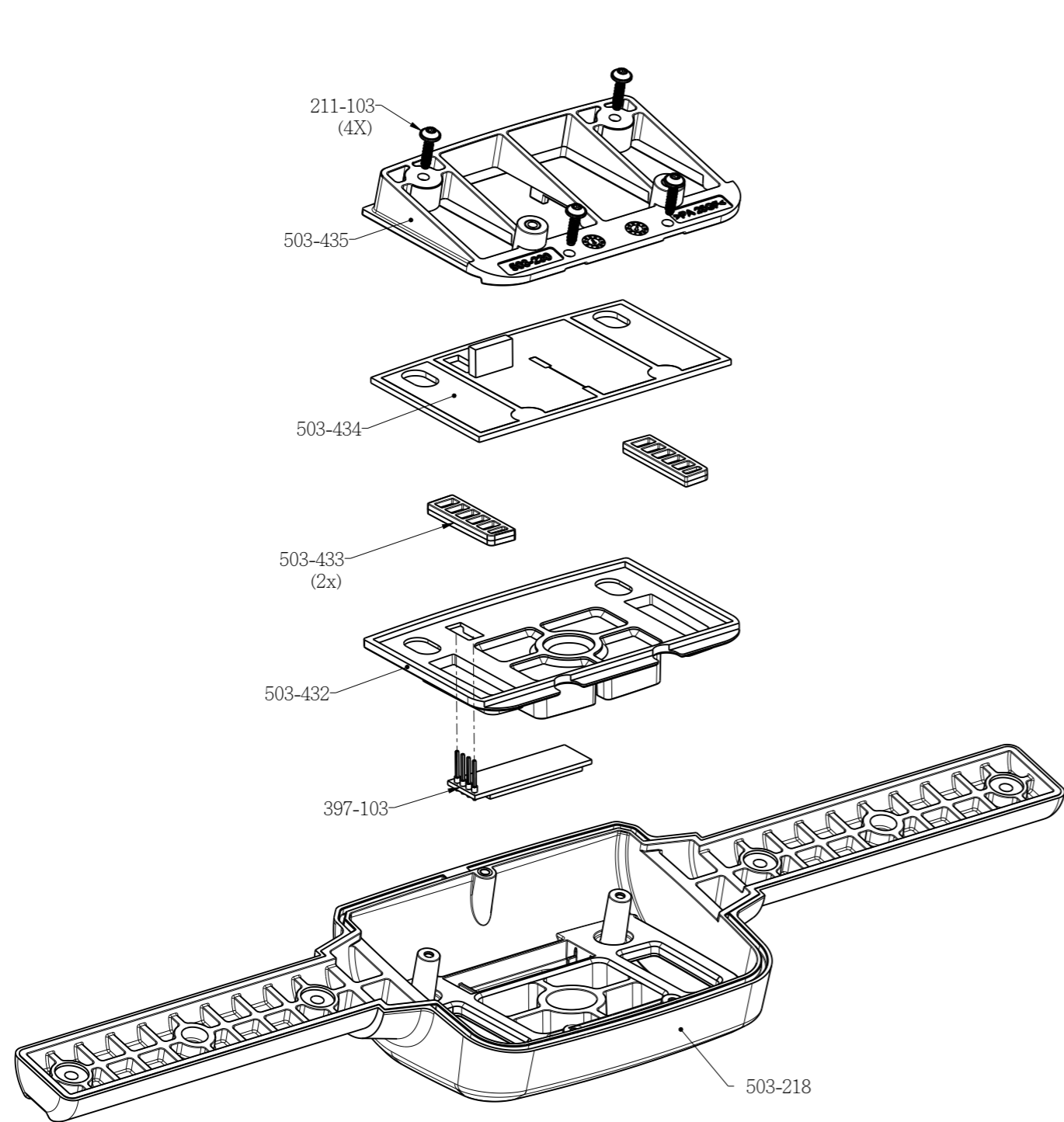
503-144 solenoid complete

Rev. 01
Date 2024/08/30



503-109 turbine unit

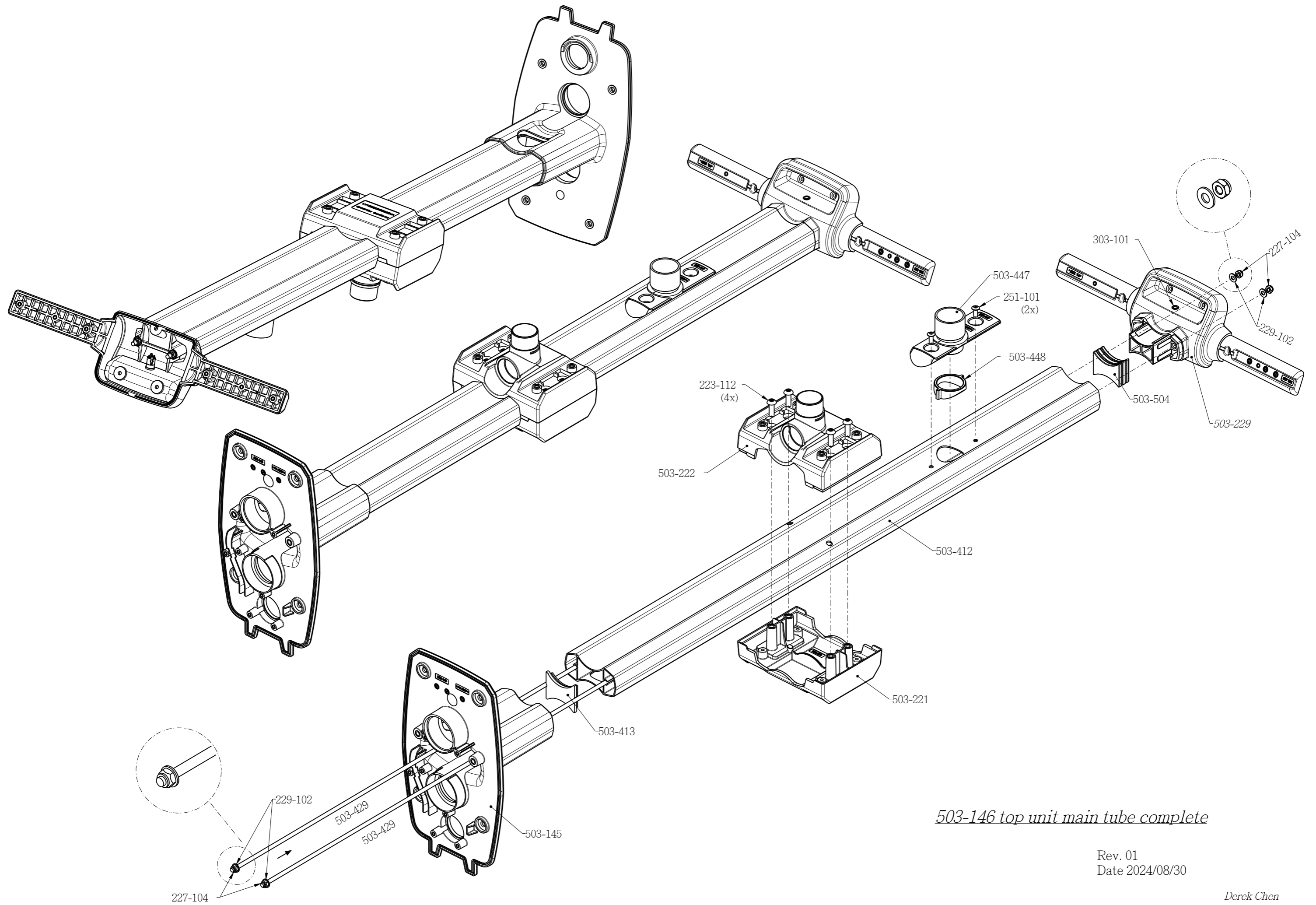
Rev. 02
Date 2024/09/11



503-118 control unit

Rev. 01
Date 2024/08/30

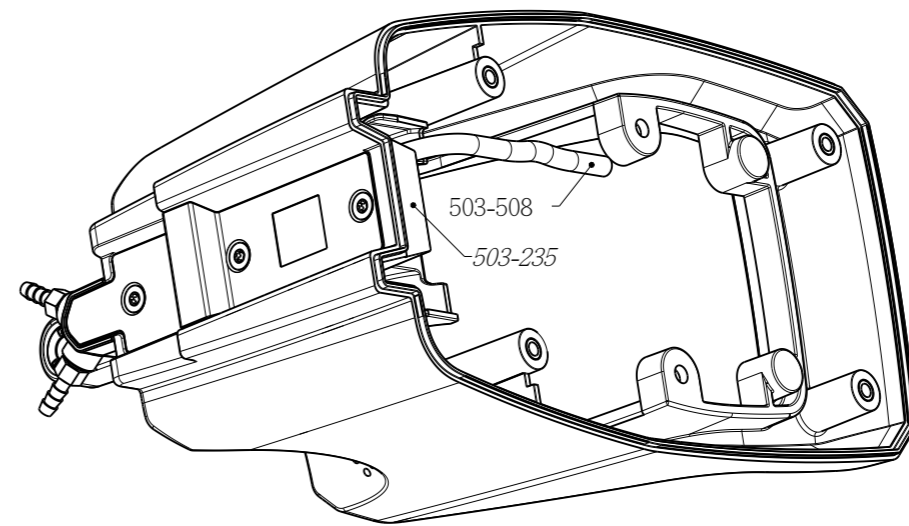
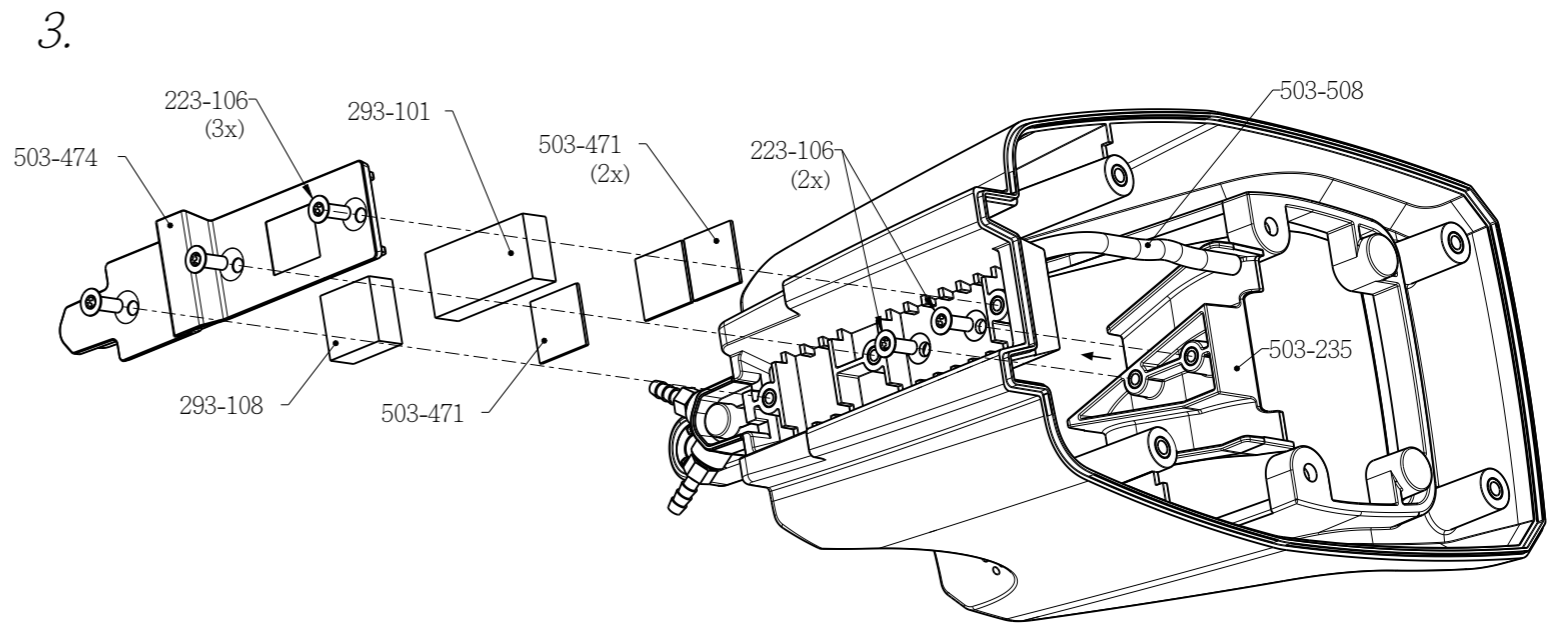
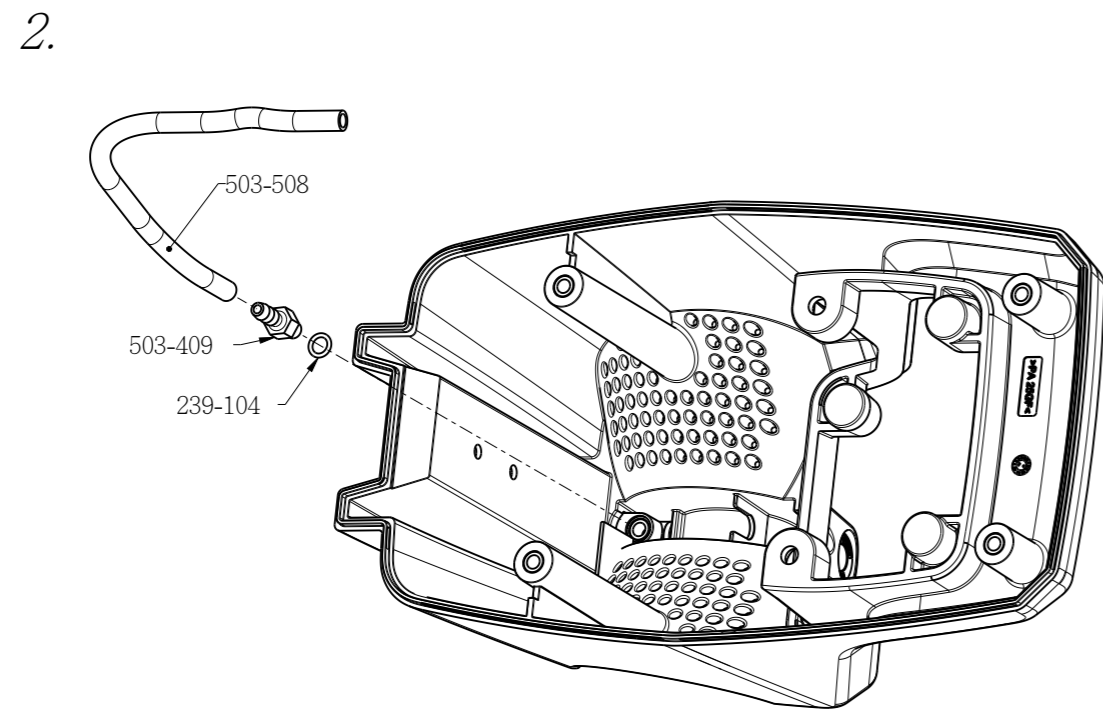
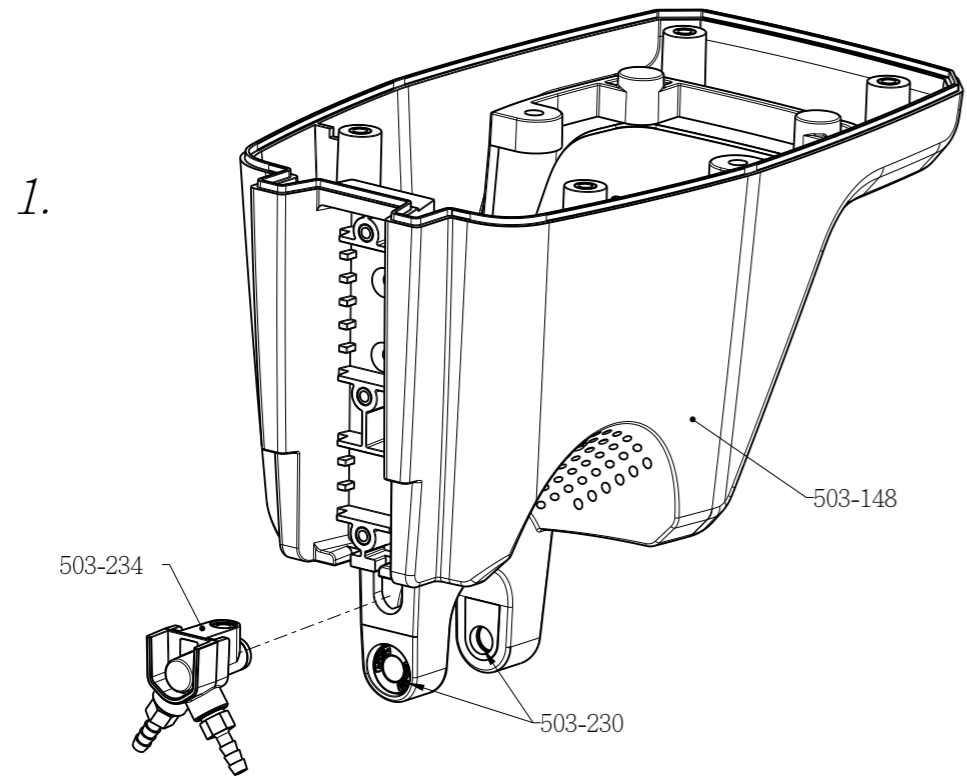
Derek Chen



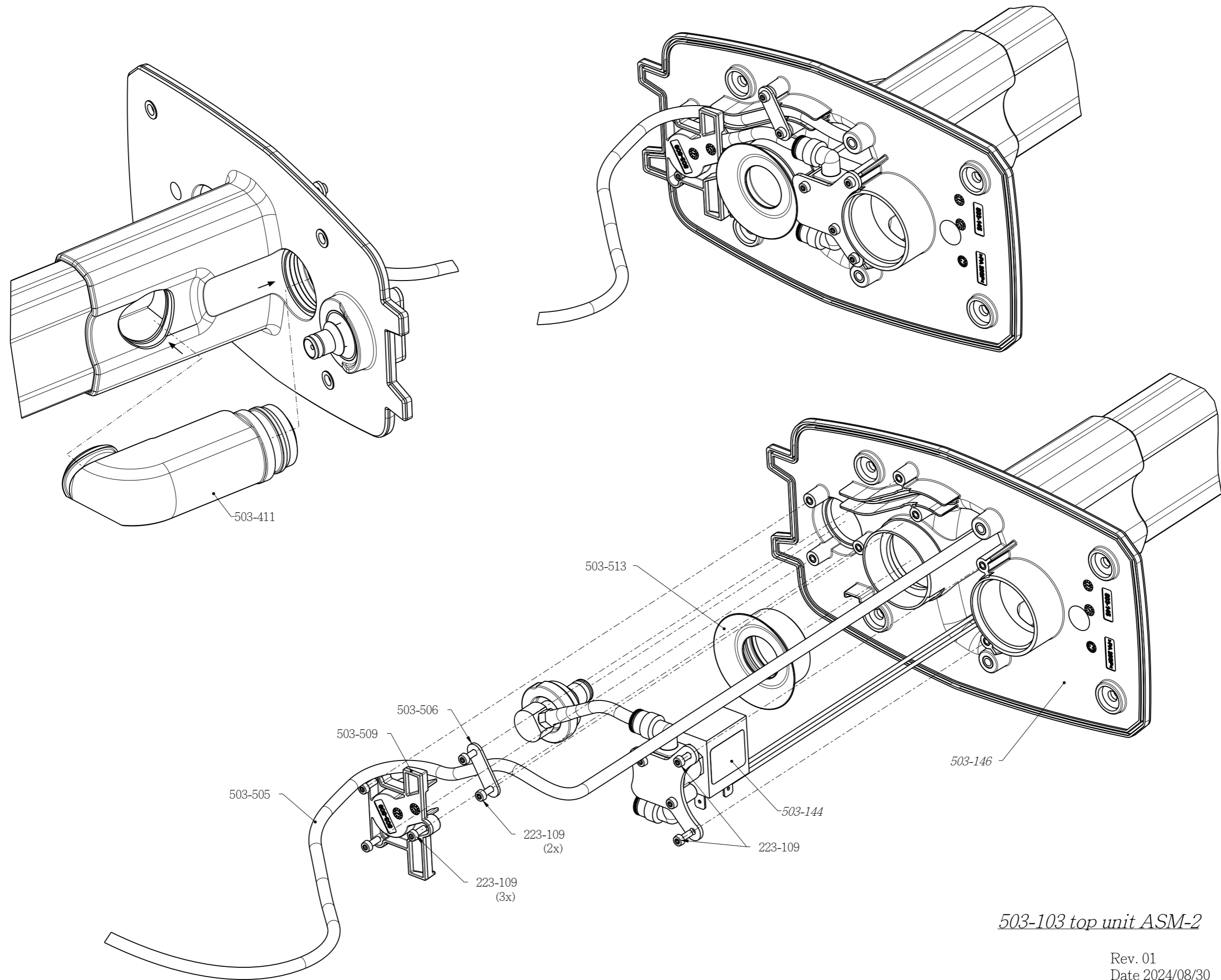
503-146 top unit main tube complete

Rev. 01
Date 2024/08/30

Derek Chen

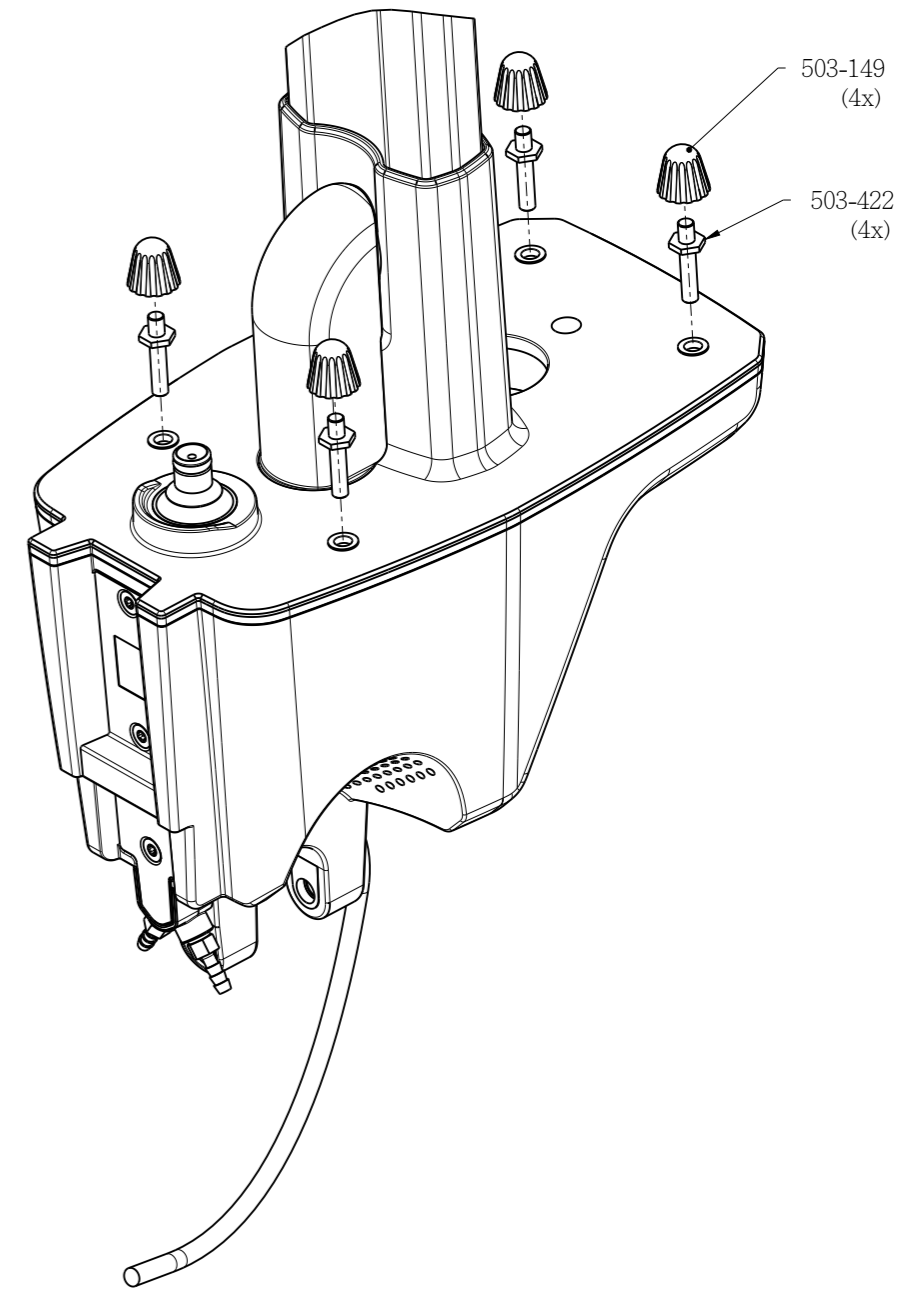
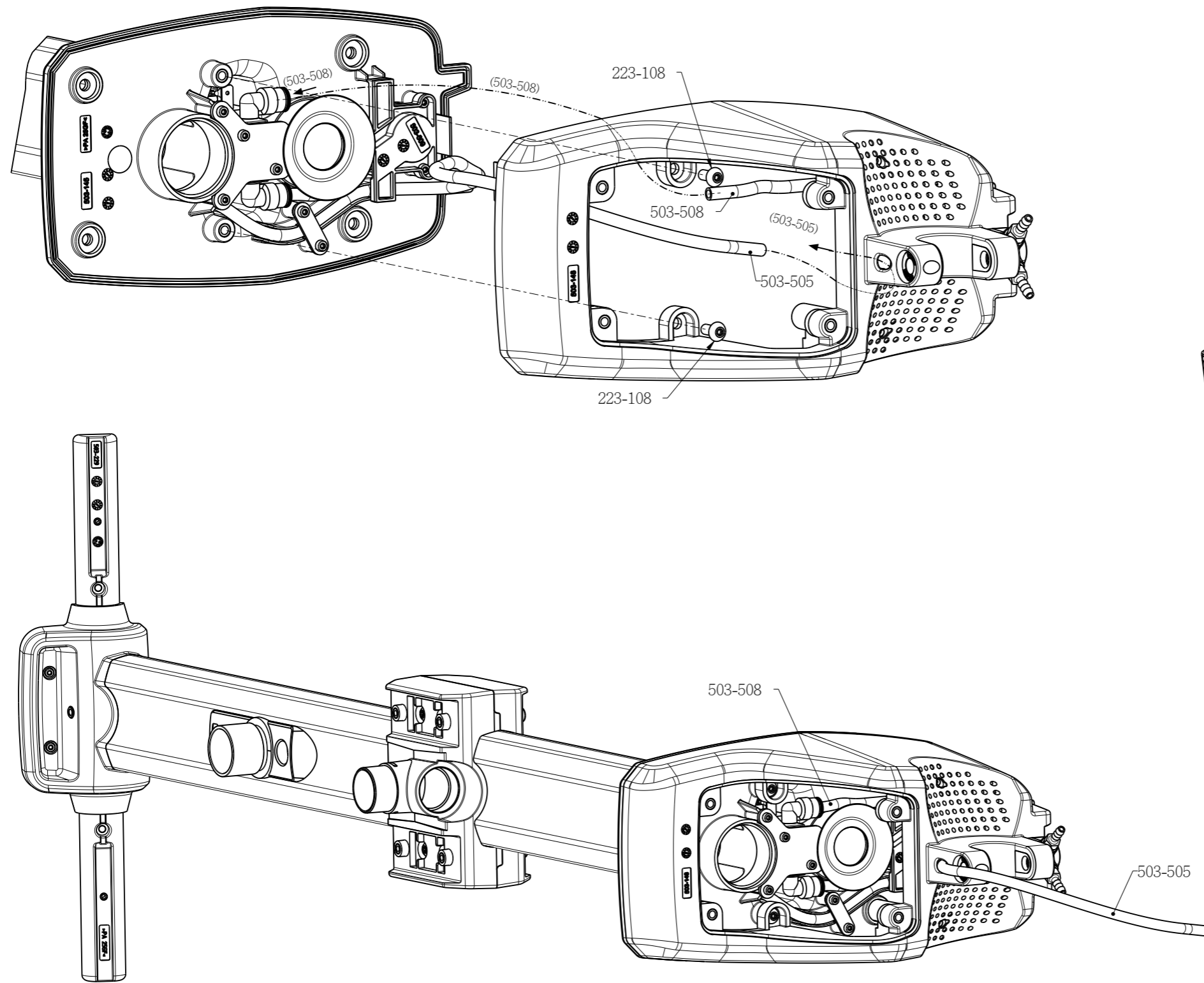


503-103 top unit ASM-1



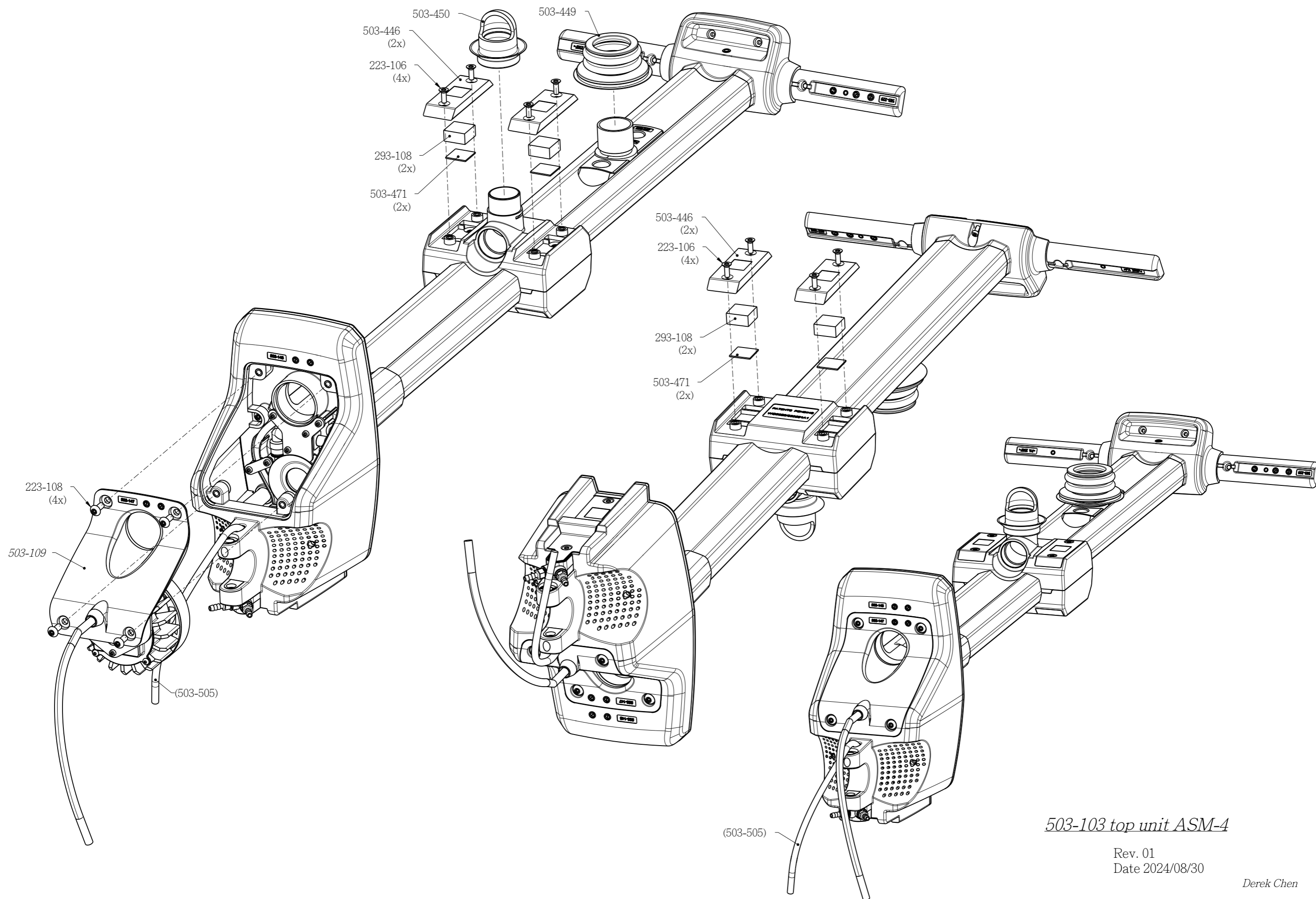
503-103 top unit ASM-2

Rev. 01
Date 2024/08/30



503-103 top unit ASM-3

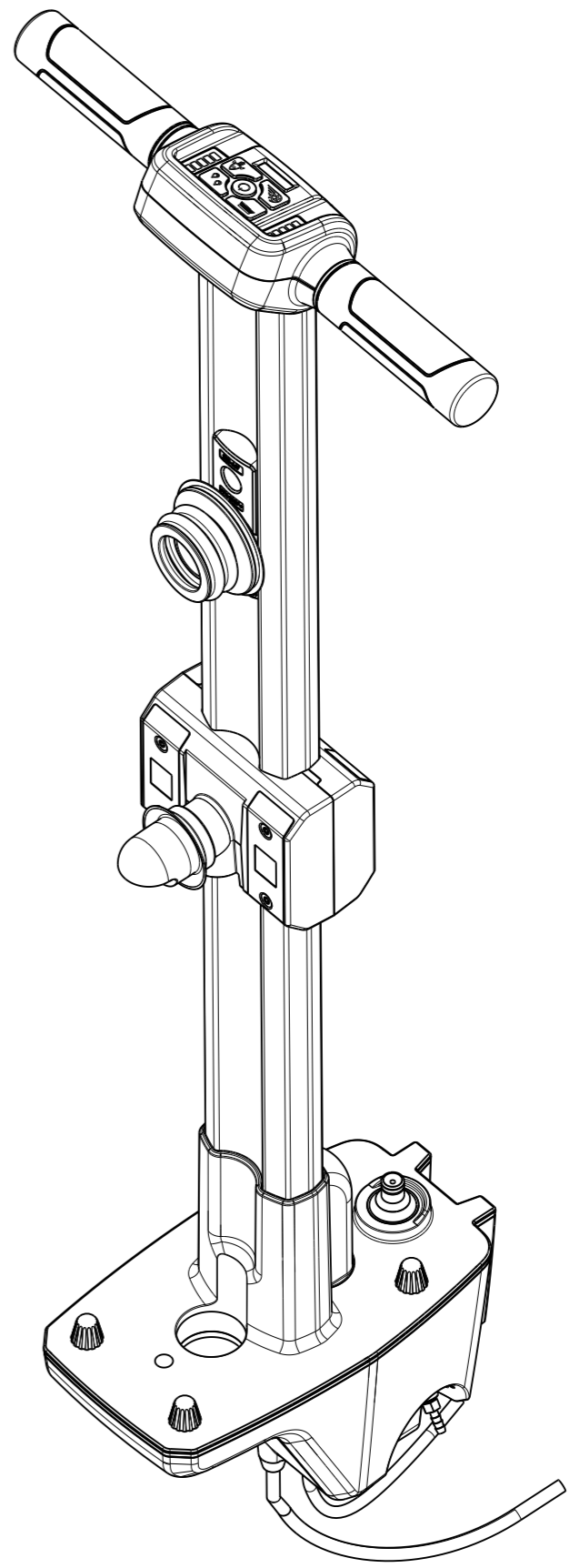
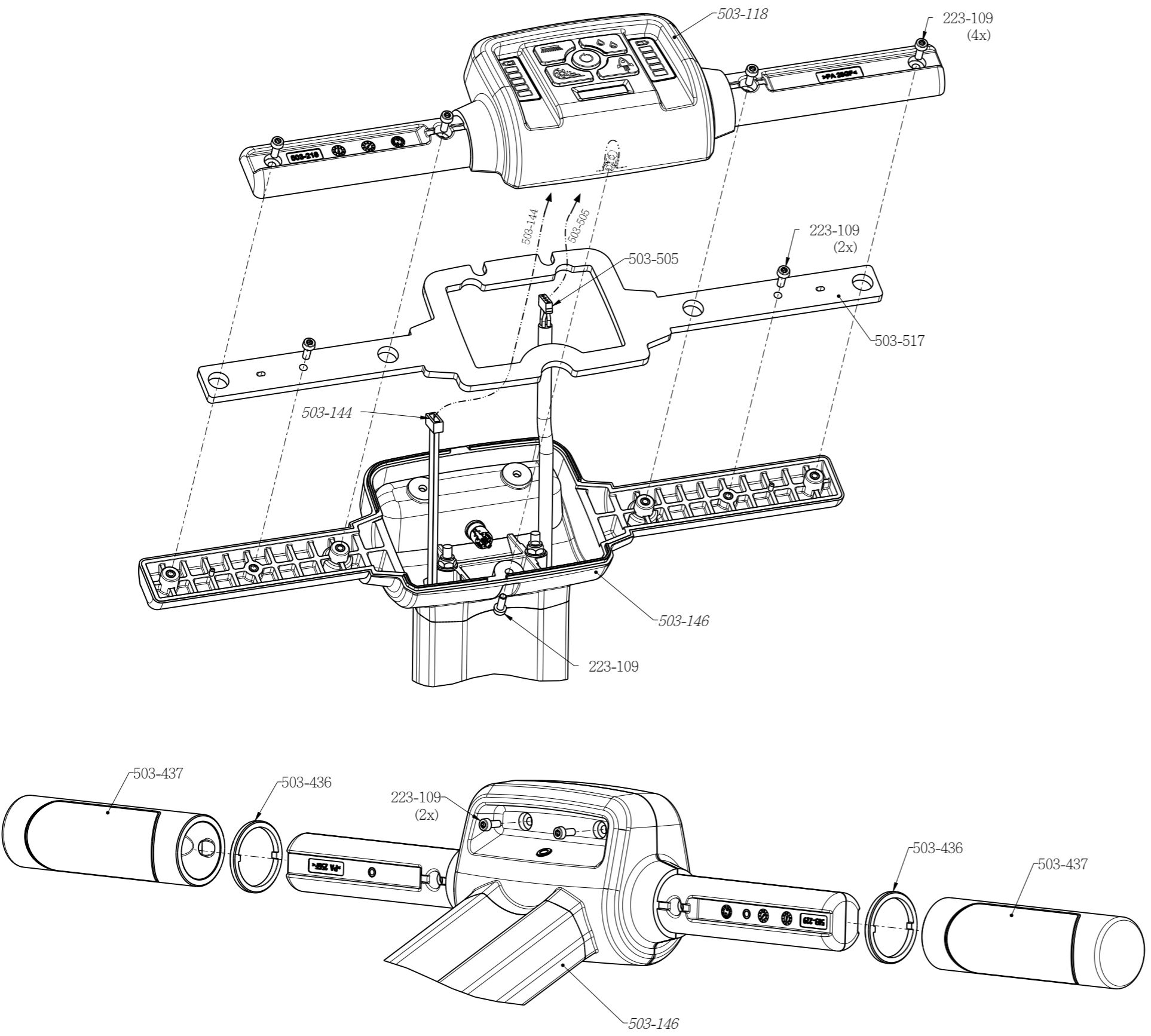
Rev. 01
Date 2024/08/30



503-103 top unit ASM-4

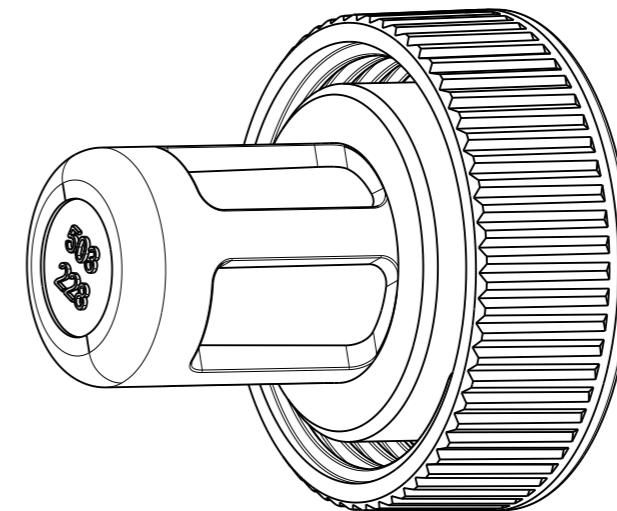
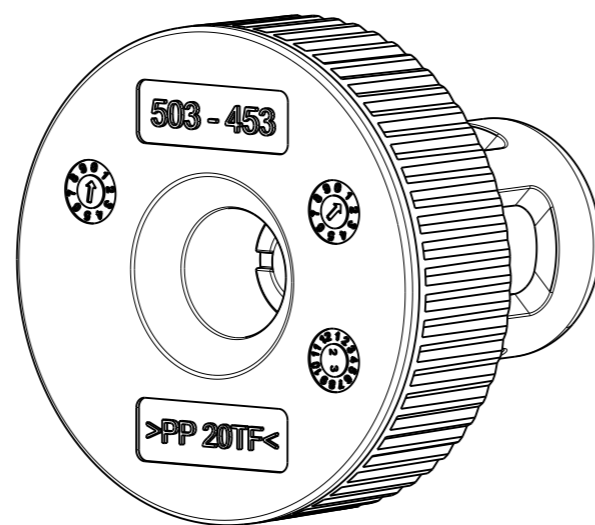
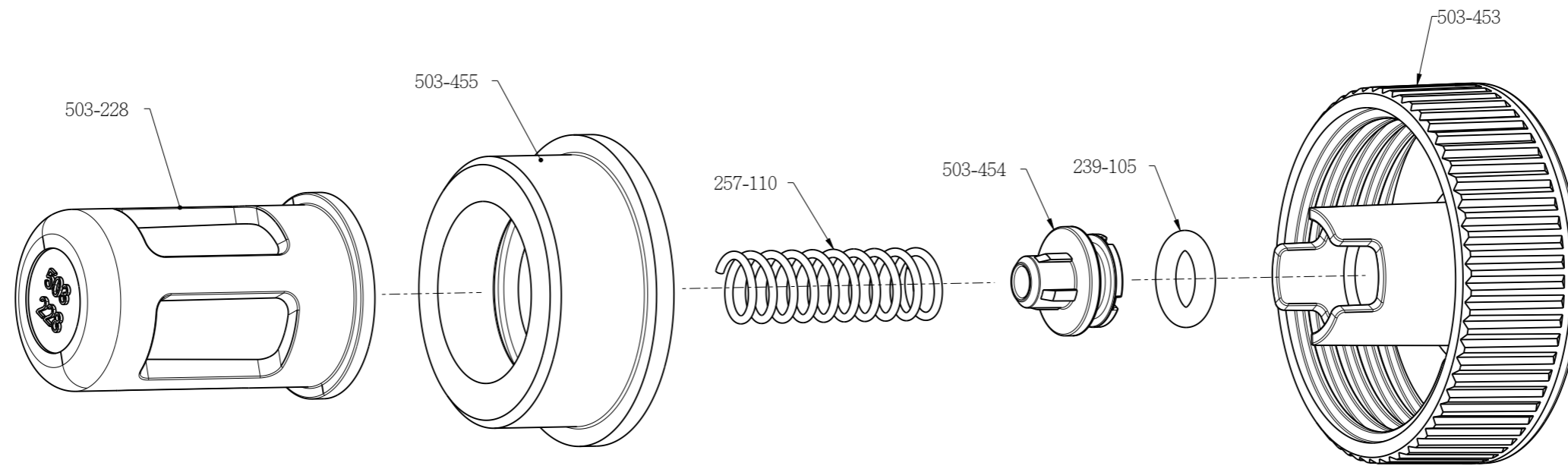
Rev. 01
Date 2024/08/30

Derek Chen



503-103 TOP UNIT

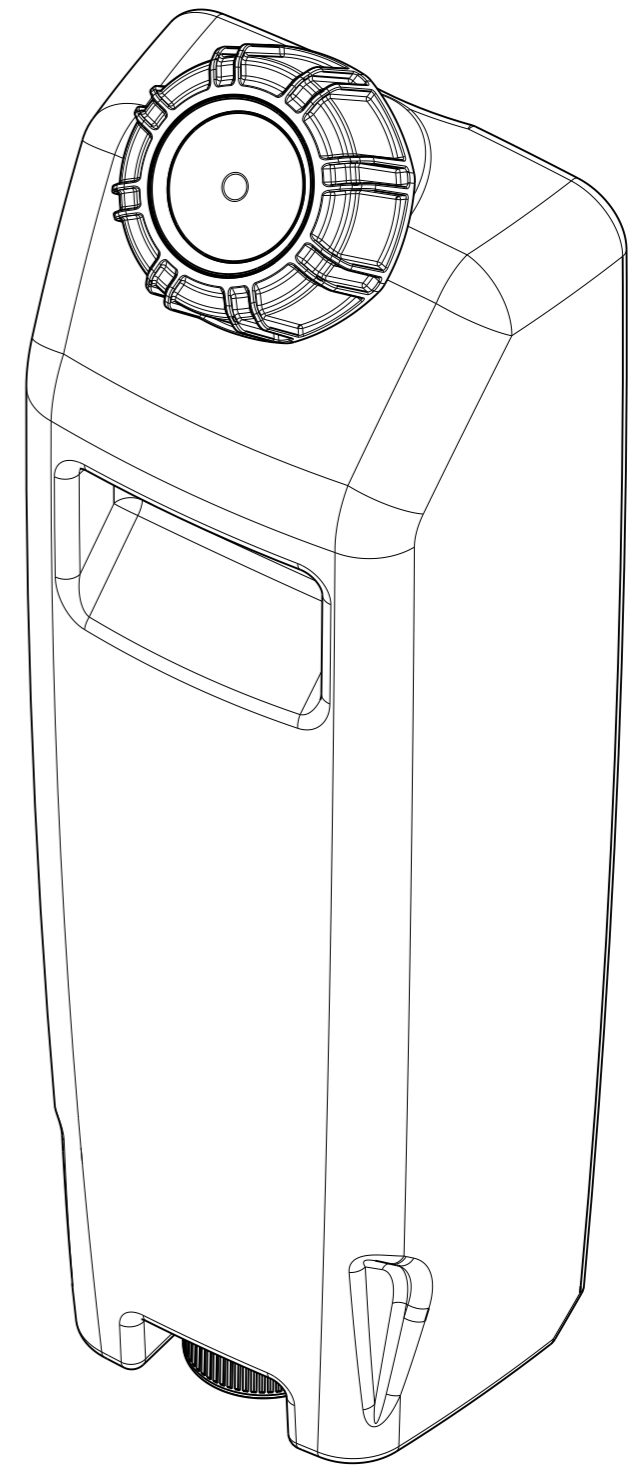
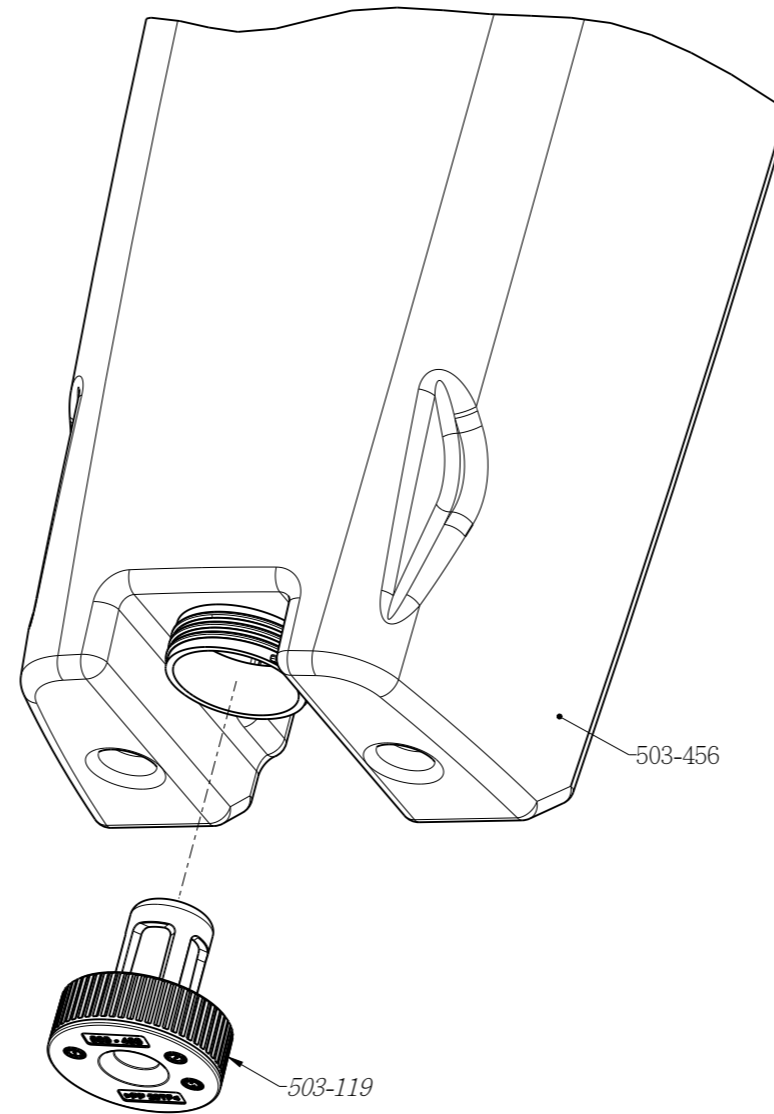
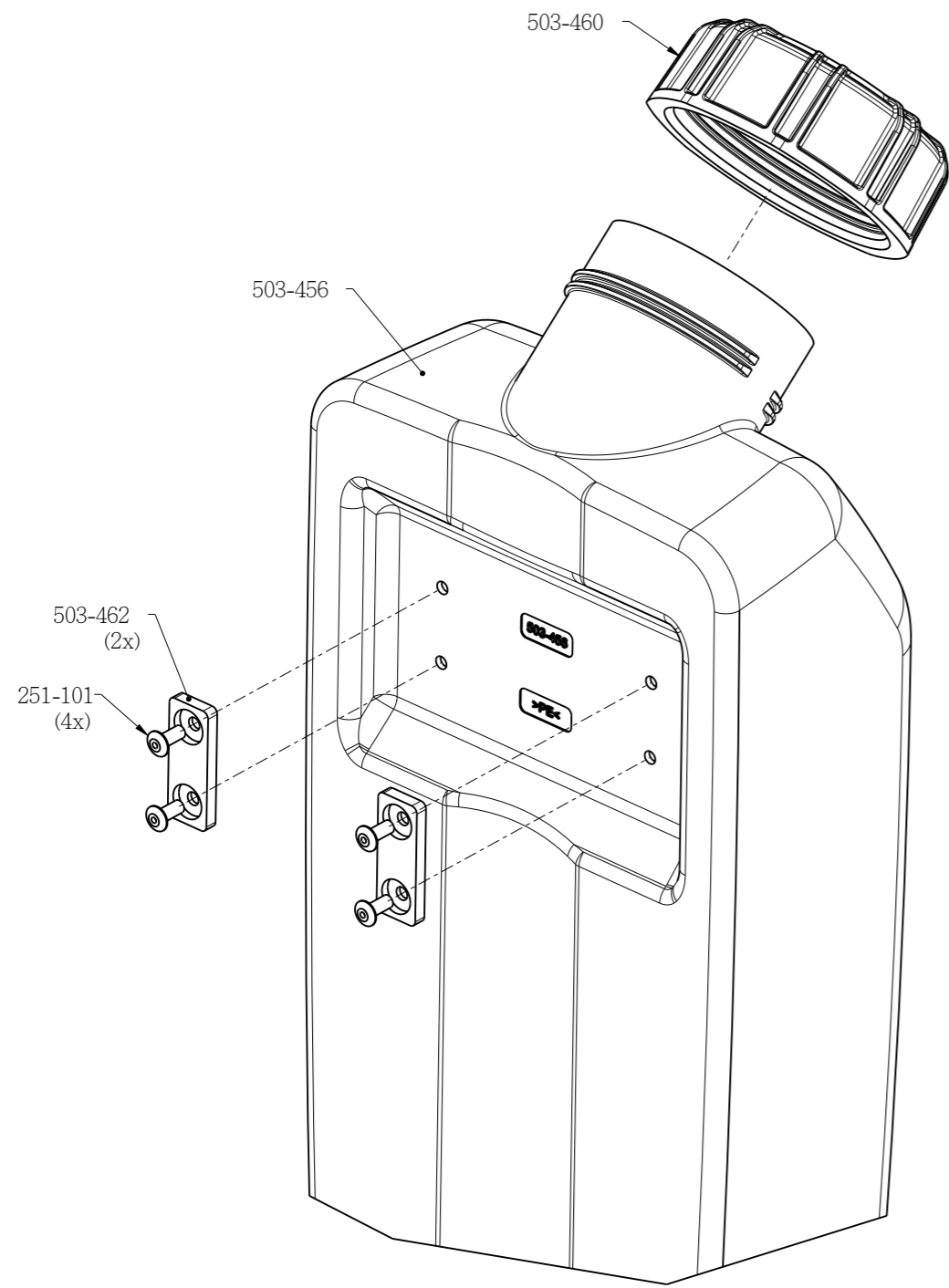
503-103 top unit ASM-5



503-119 water connector female unit

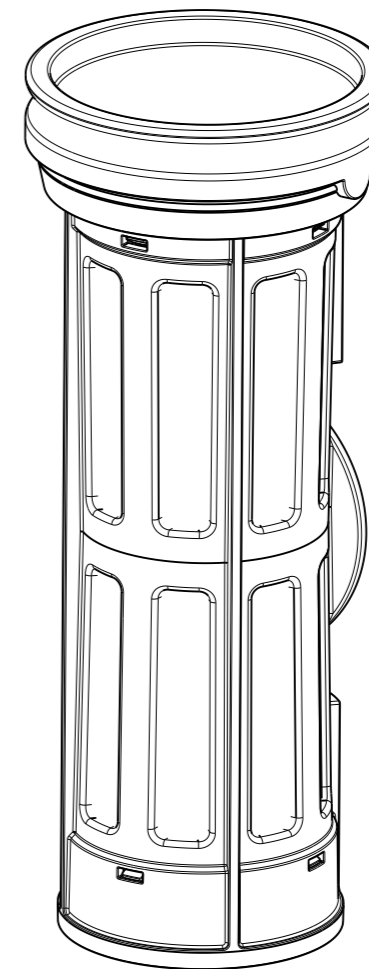
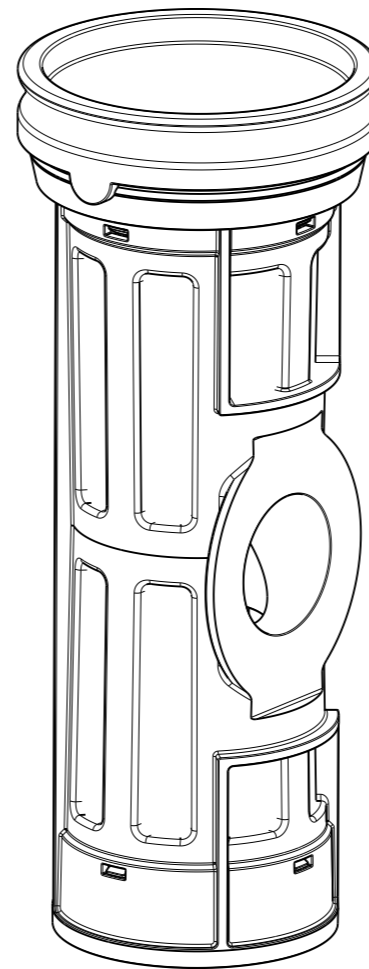
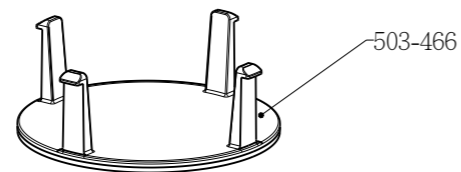
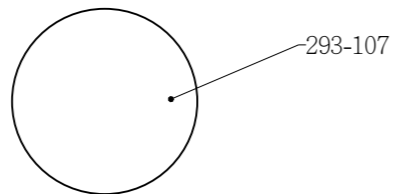
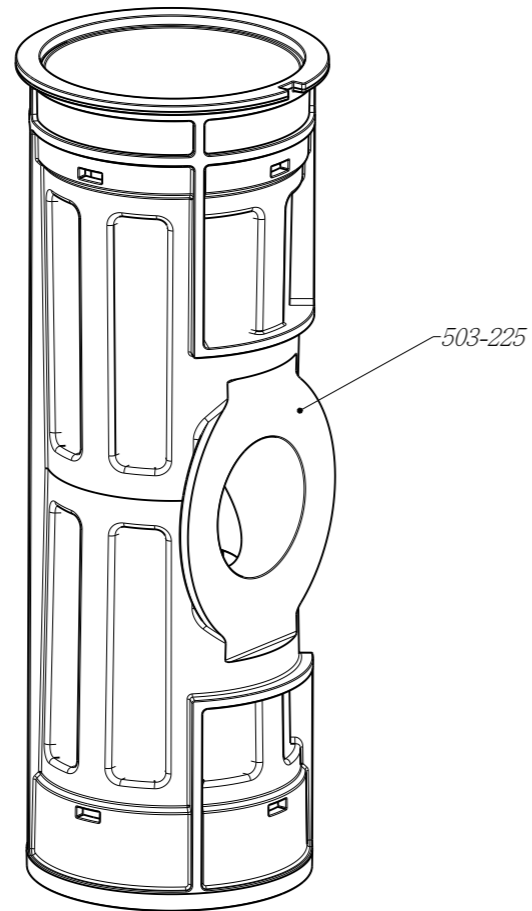
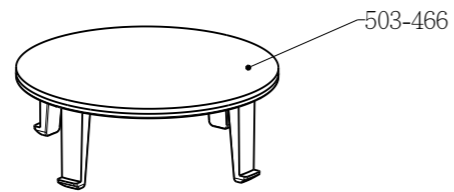
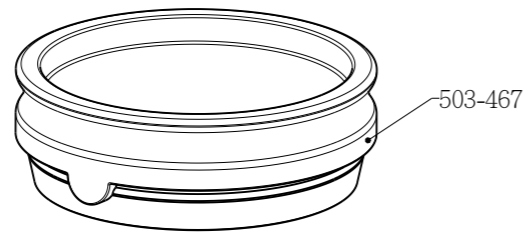
Rev. 01
Date 2024/09/03

Derek Chen



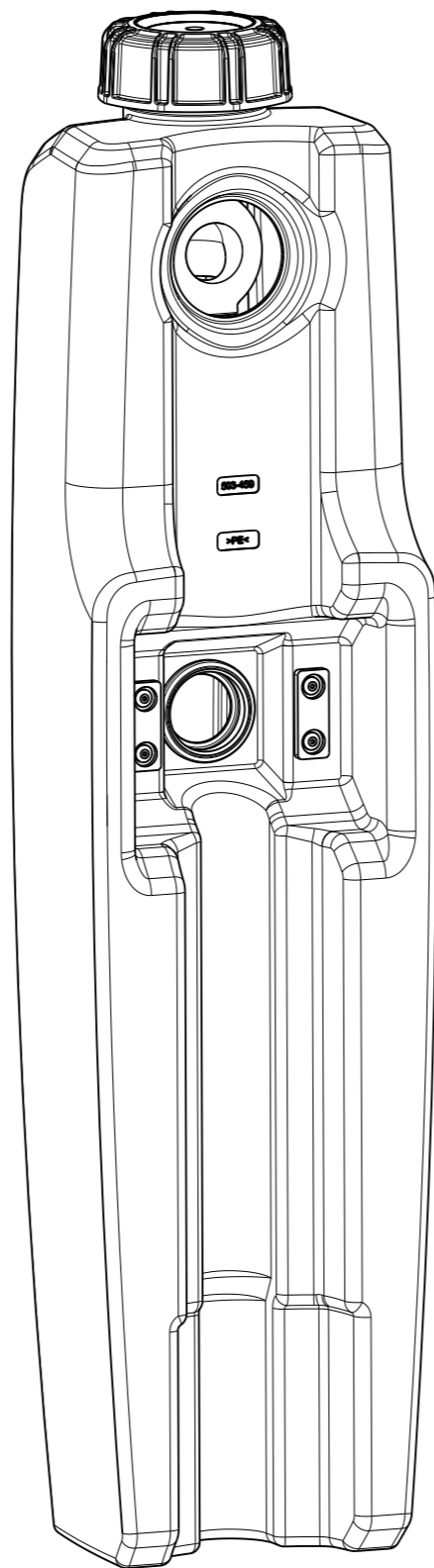
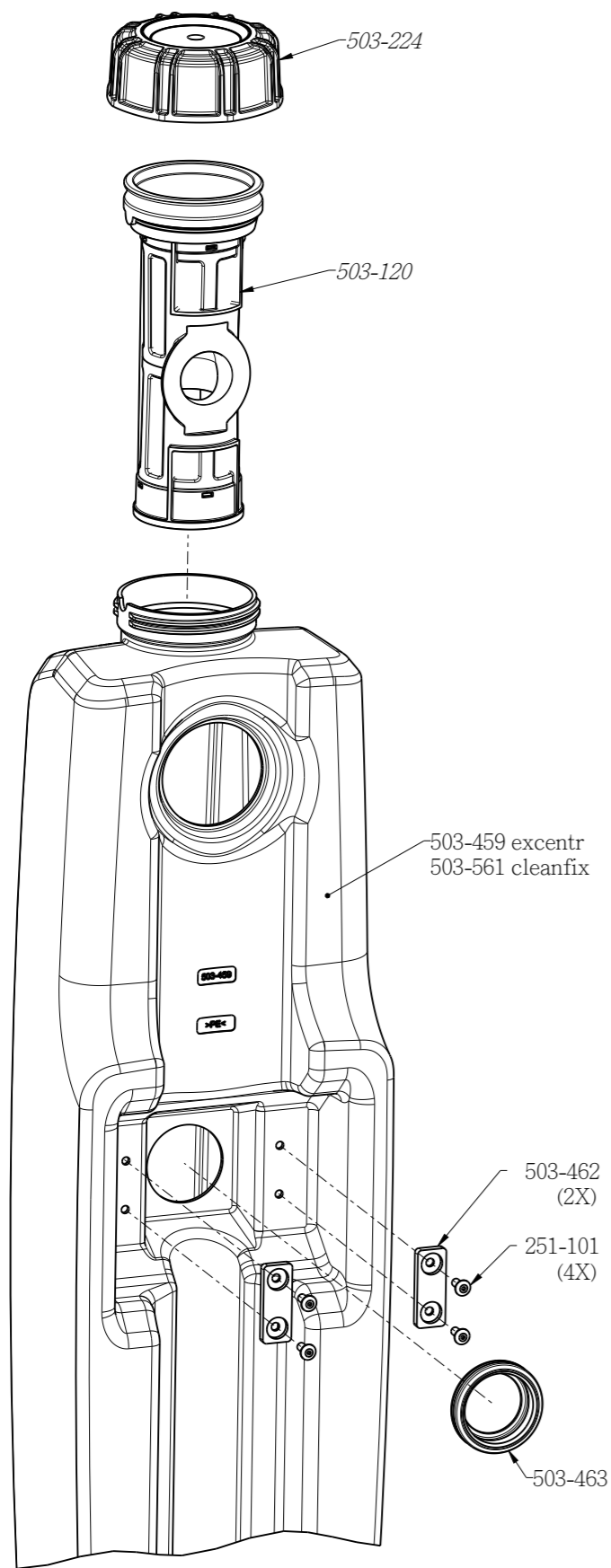
503-105 fresh water tank unit

Rev. 01
Date 2024/09/03

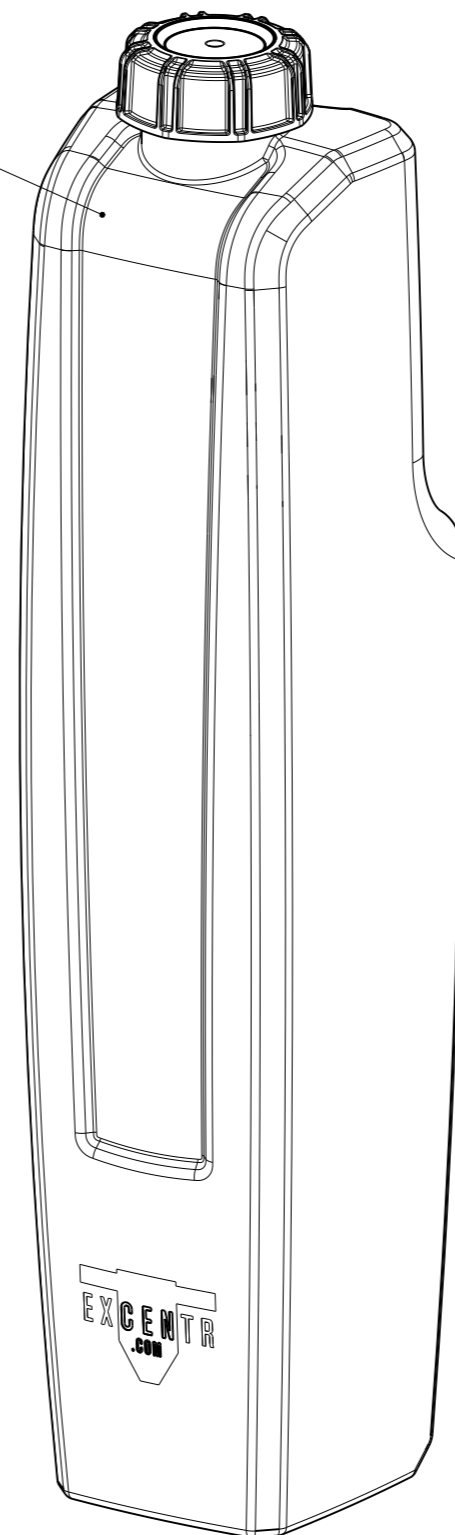


503-120 recovery tank float unit

Rev. 01
Date 2024/09/03



Pantone 423 C



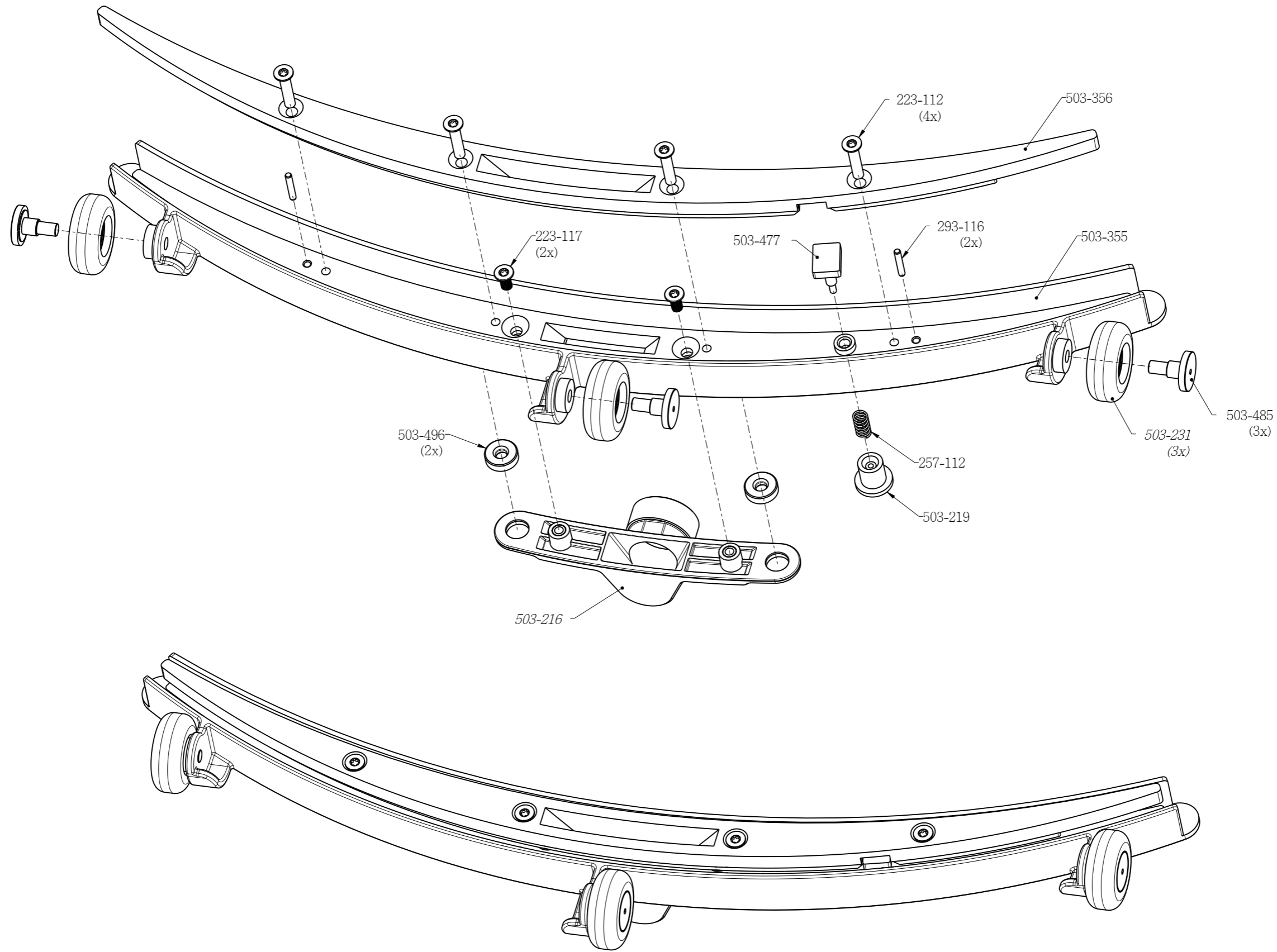
503-106 recovery unit excentr

Pantone 185 C



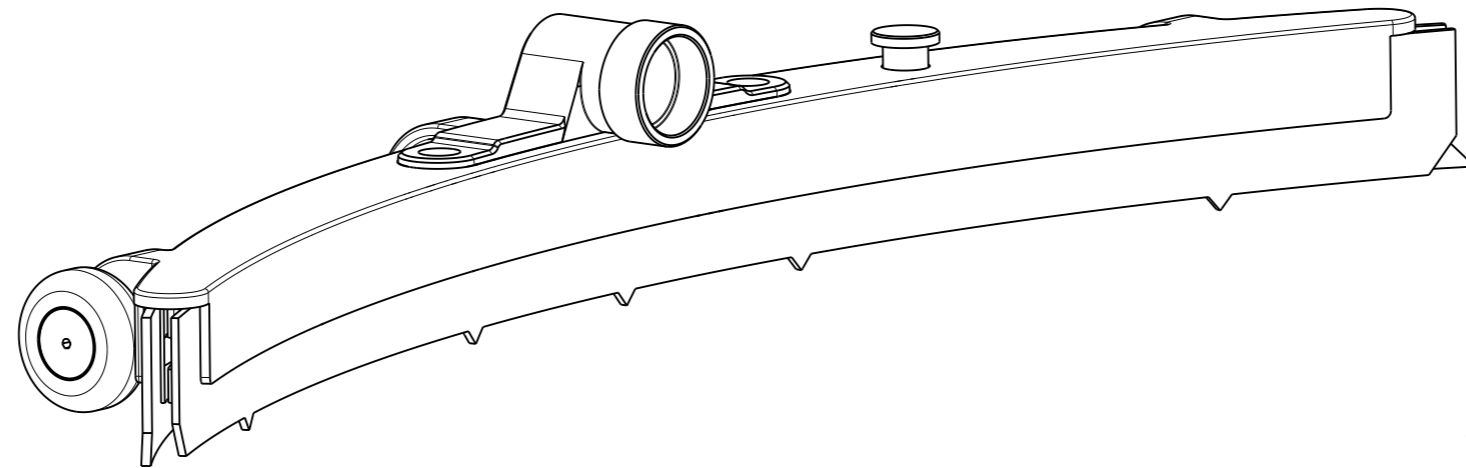
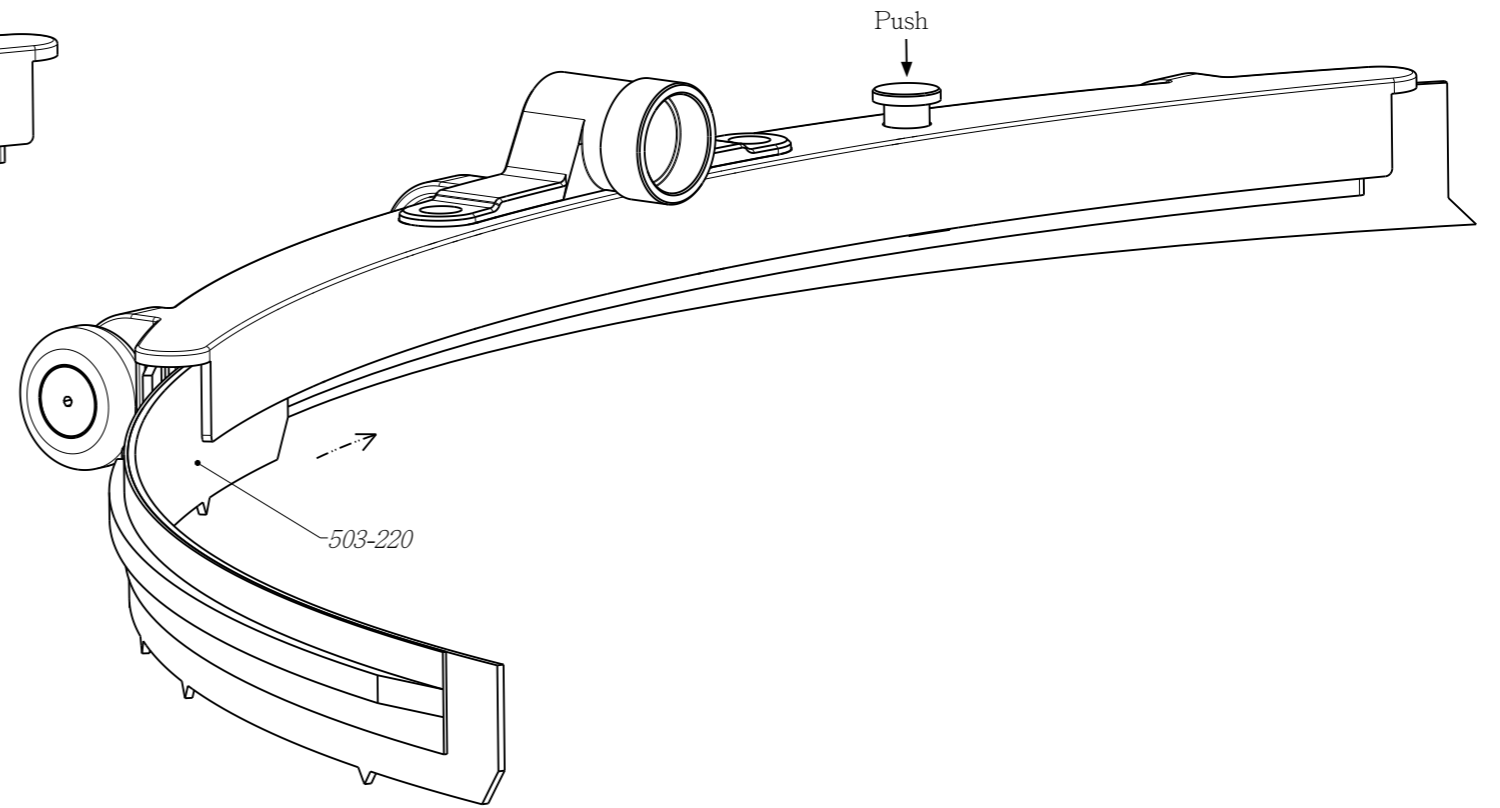
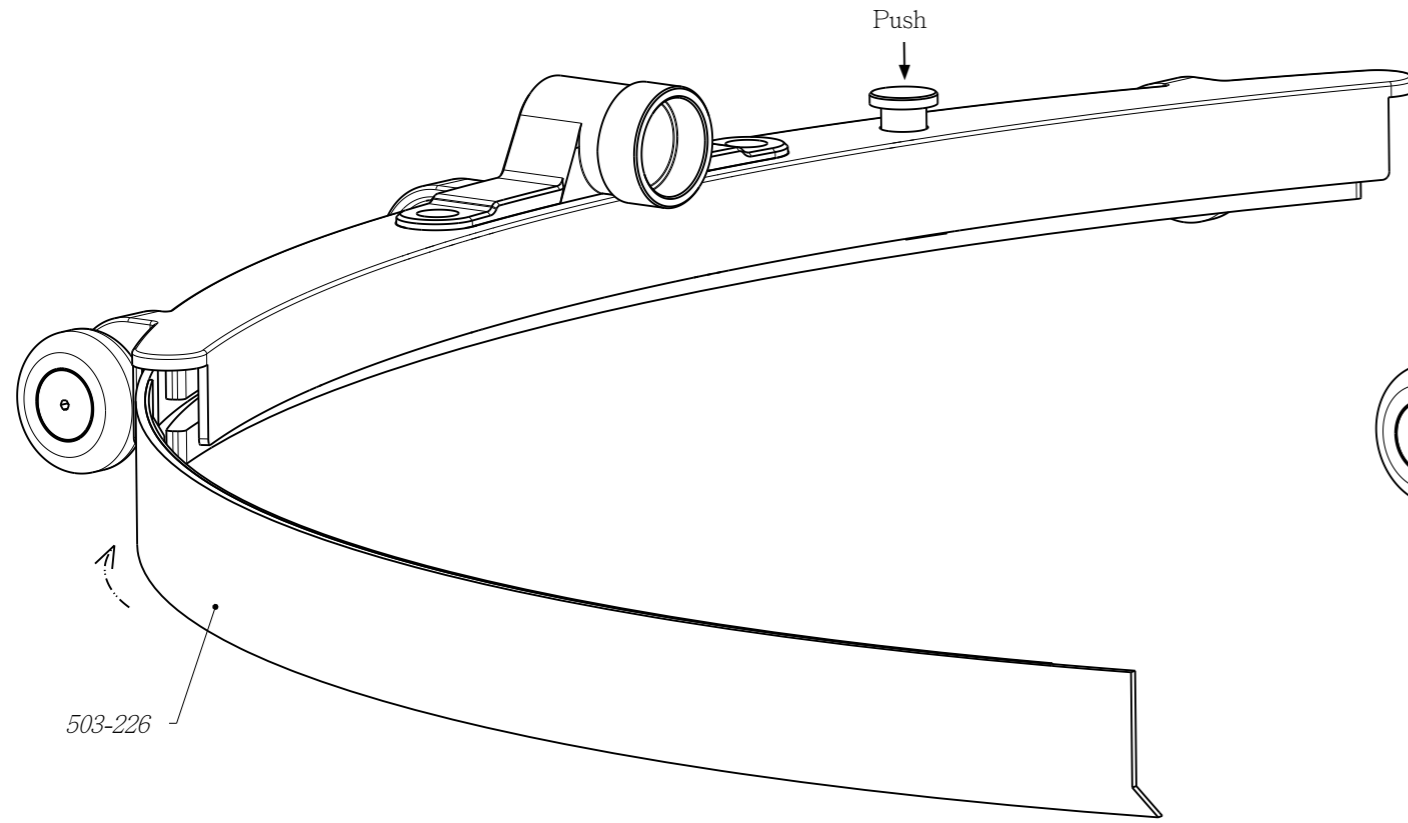
503-153 recovery unit cleanfix

Rev. 01
Date 2024/09/03



503-104 squeegee unit ASM-1

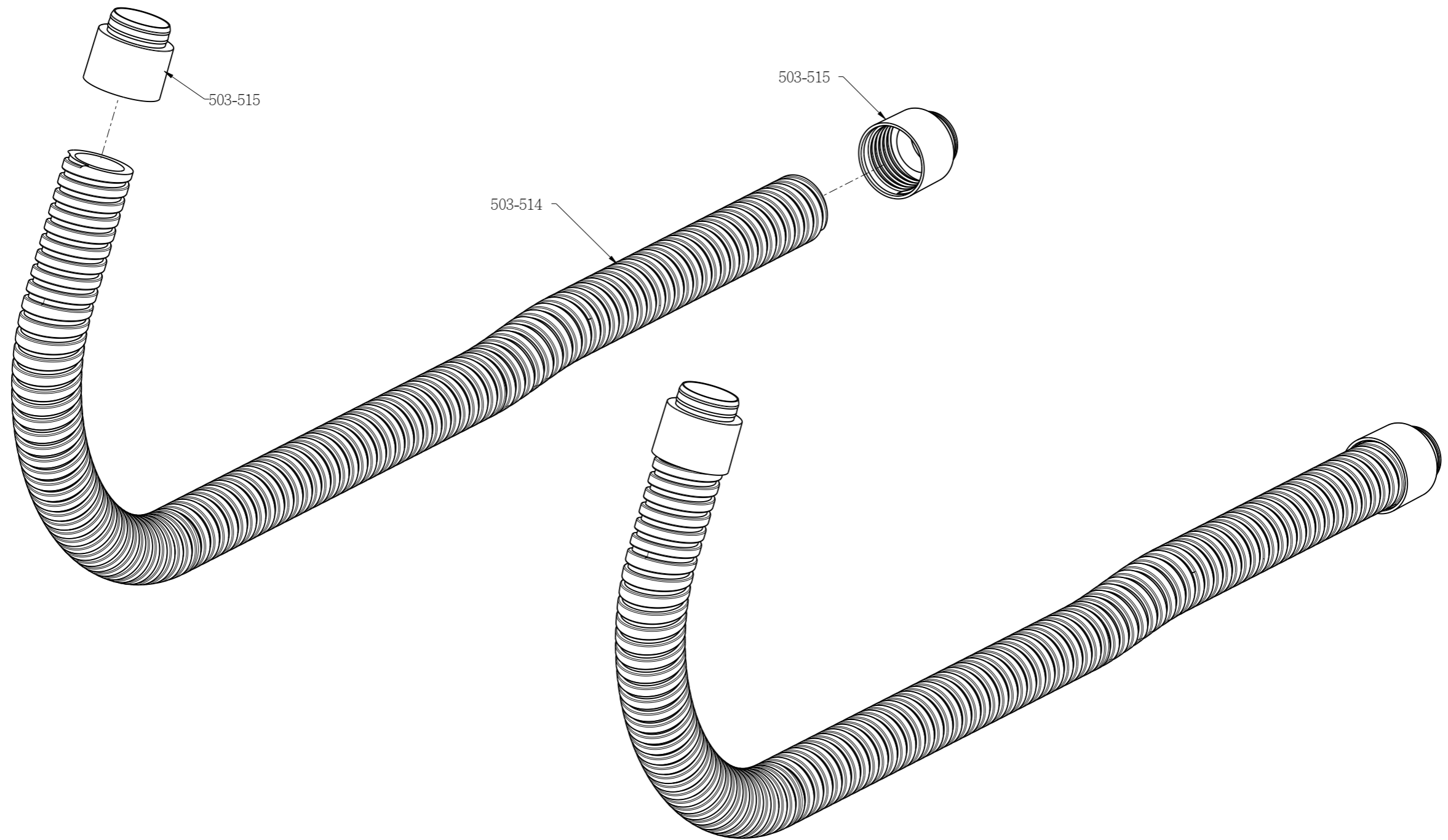
Rev. 01
Date 2024/09/06



503-104 squeegee unit ASM-2

Rev. 01
Date 2024/09/06

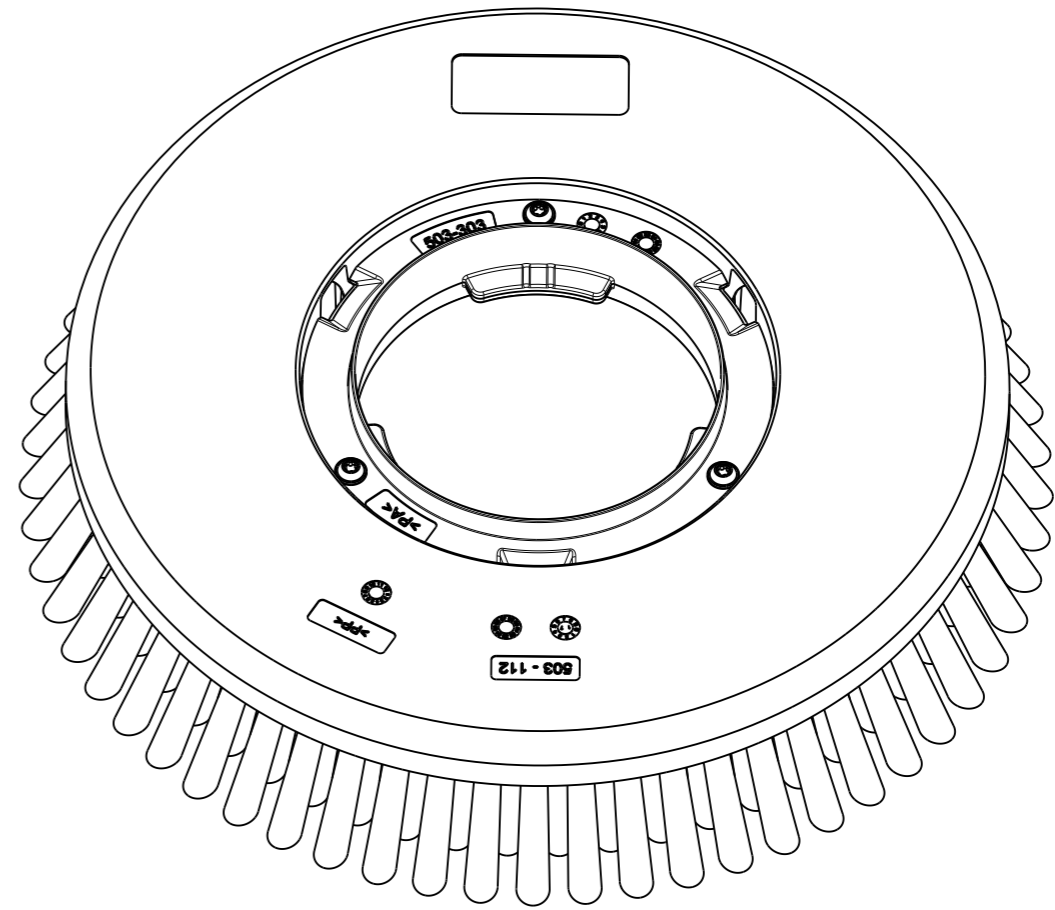
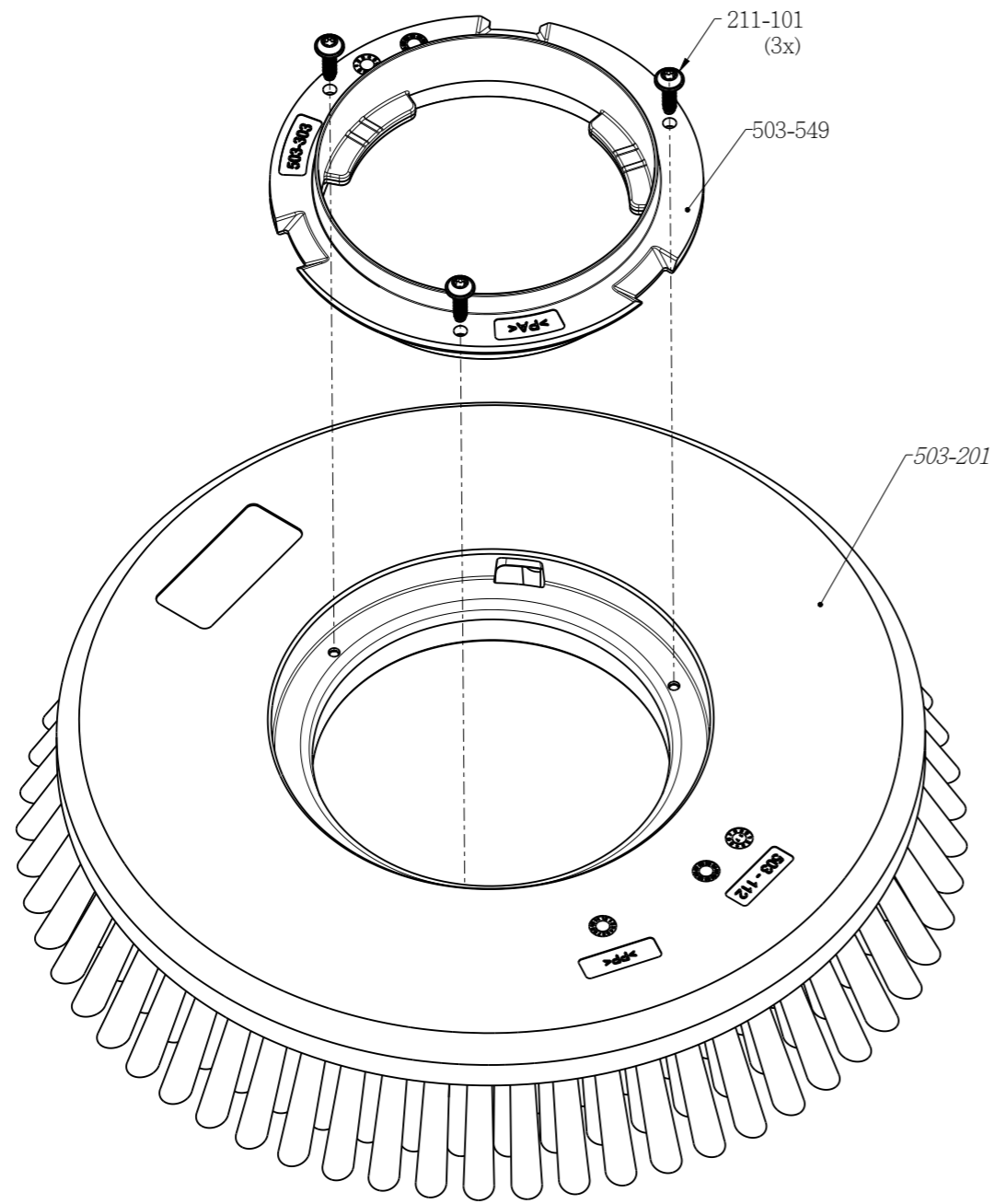
Derek Chen



503-123 suction hose unit

Rev. 01
Date 2024/09/12

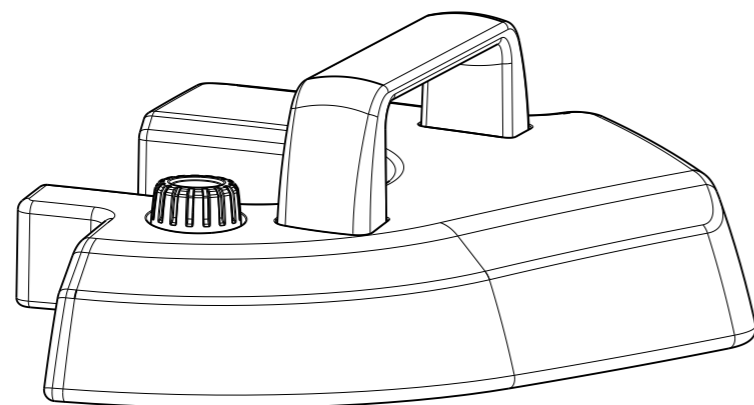
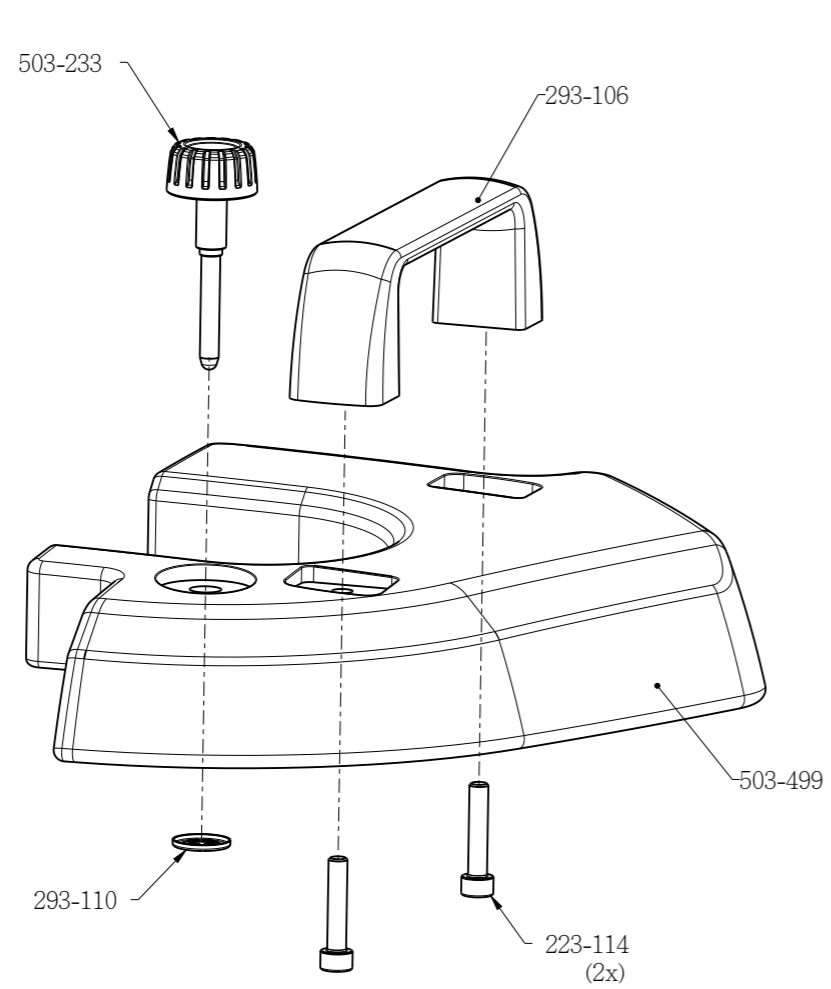
Derek Chen



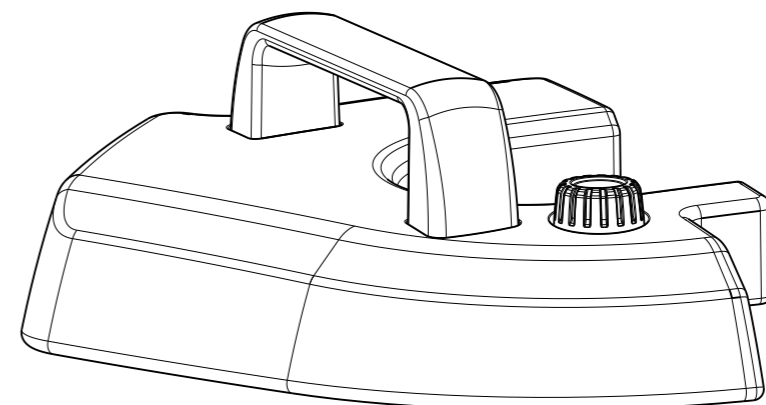
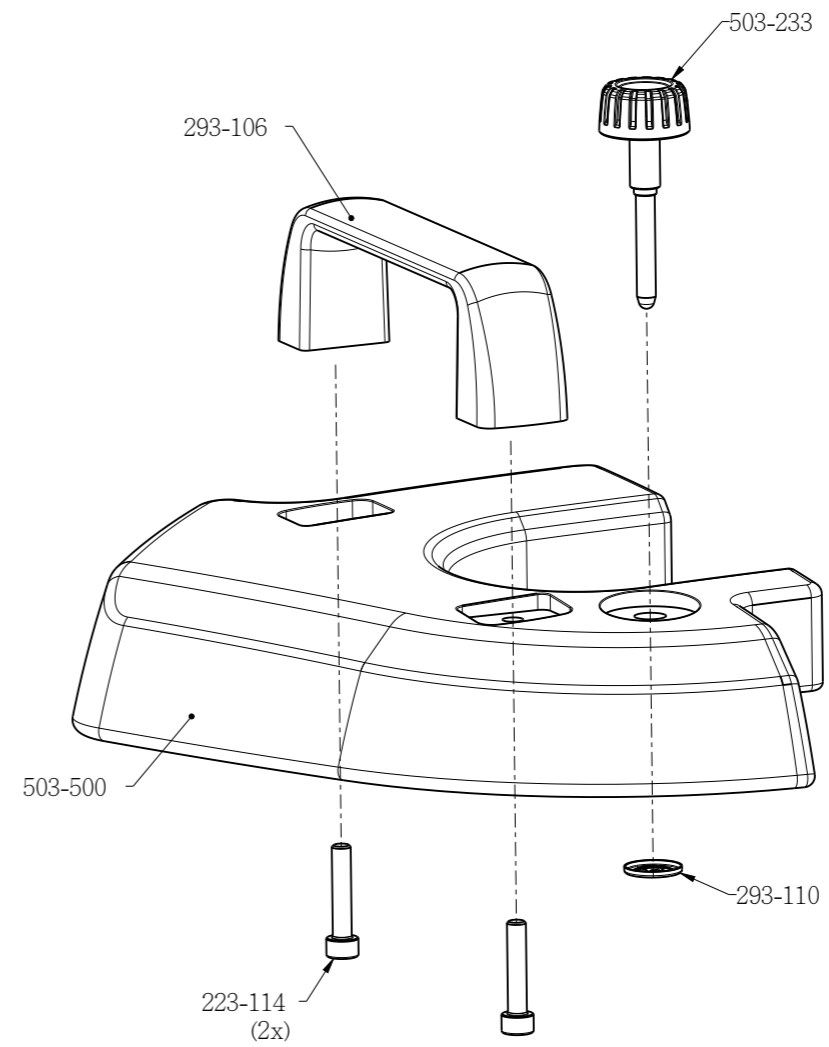
503-110 scrub brush unit

Rev. 01
Date 2024/09/06

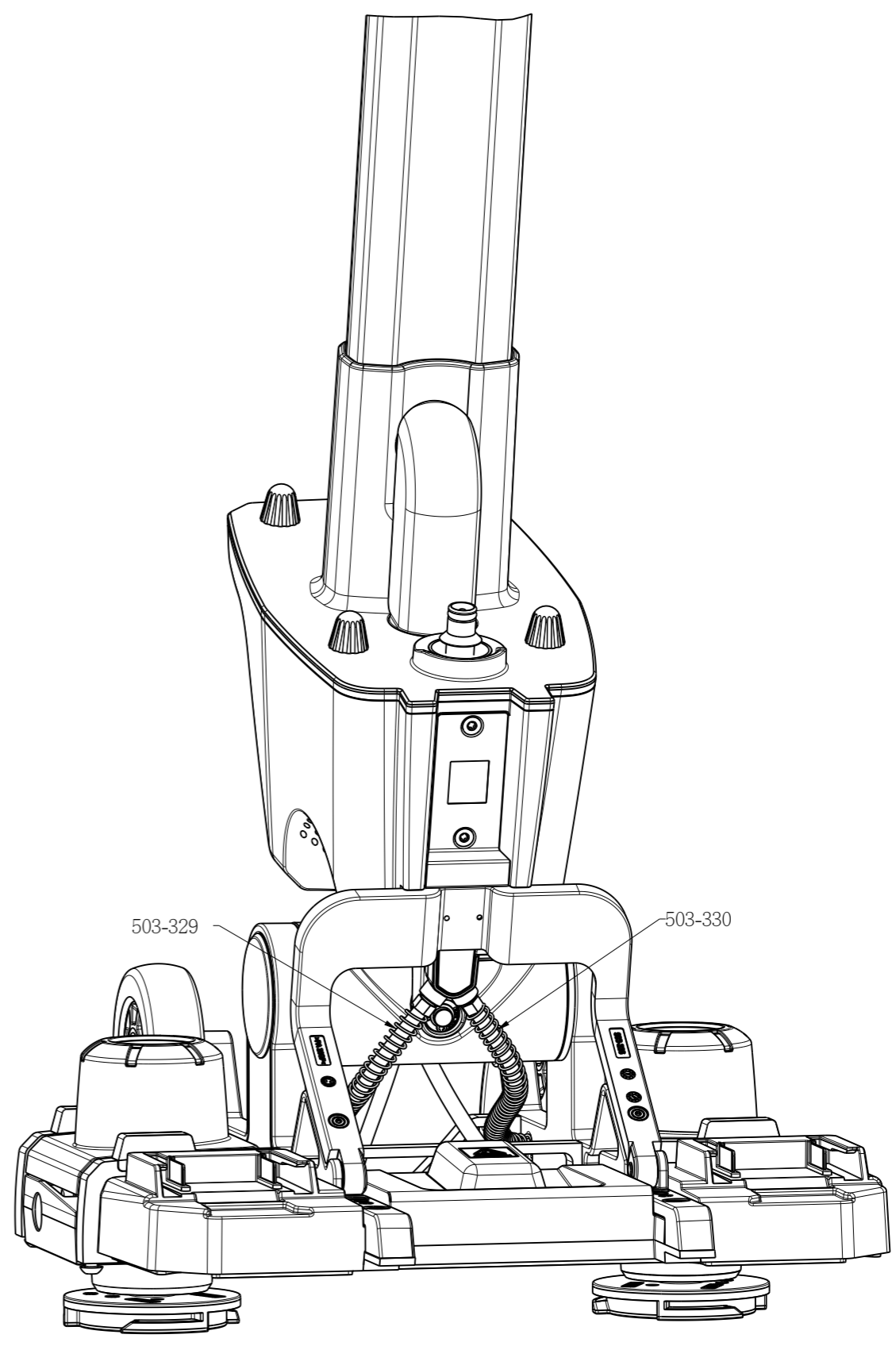
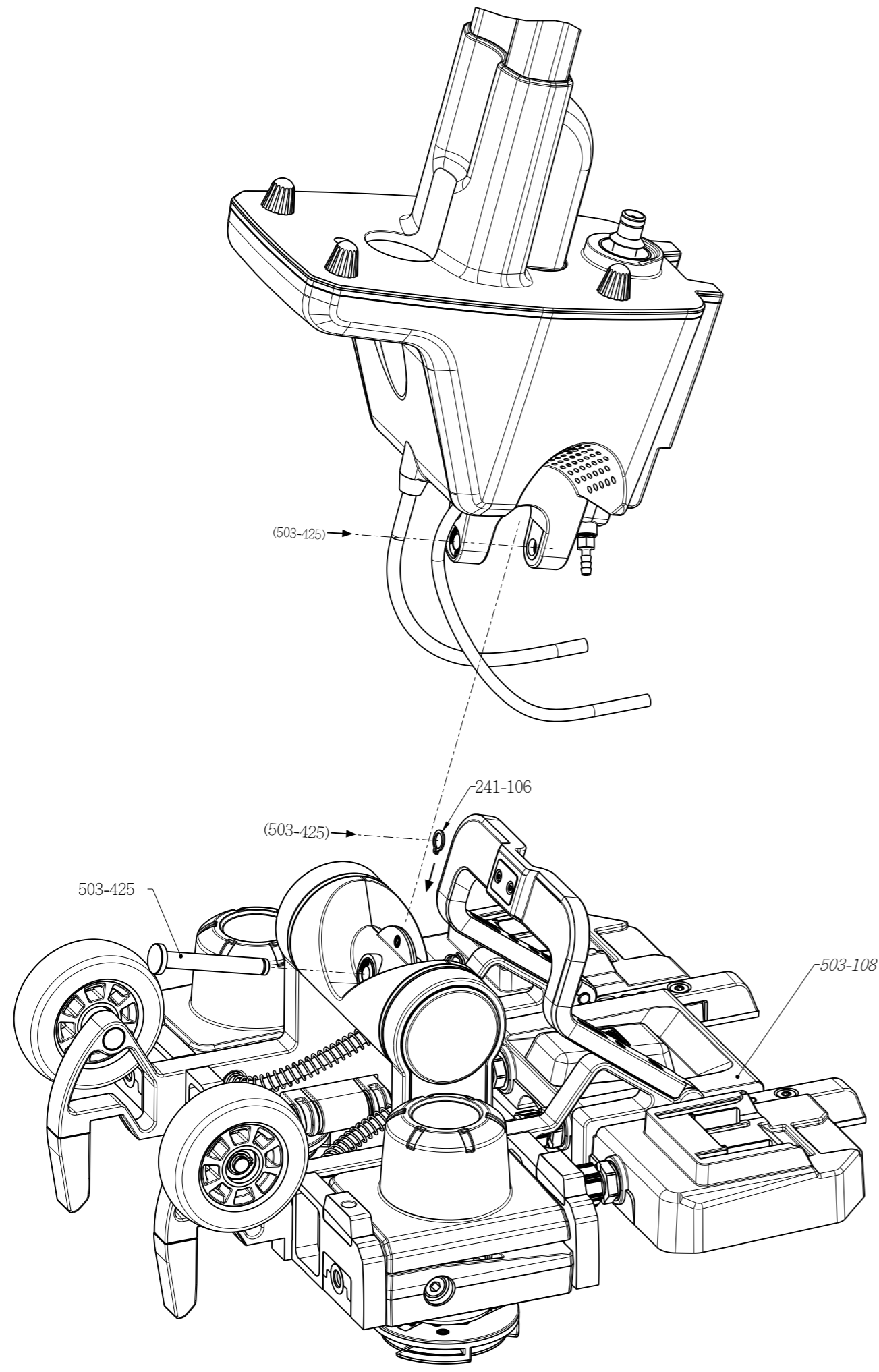
Derek Chen



MCH 503-116 brush motor left unit

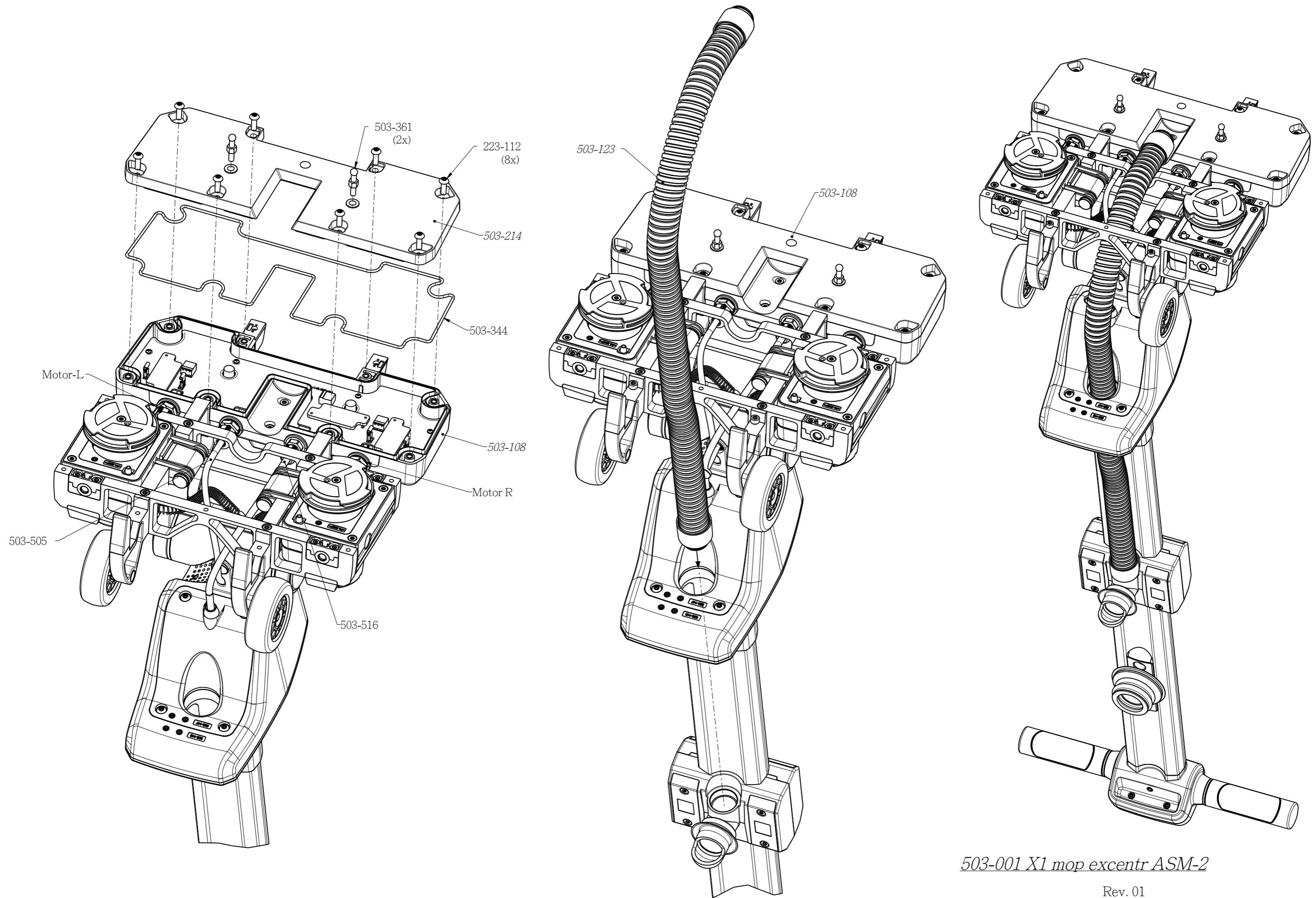


MCH 503-117 additional weight right



503-001 X1 mop excentr ASM-1

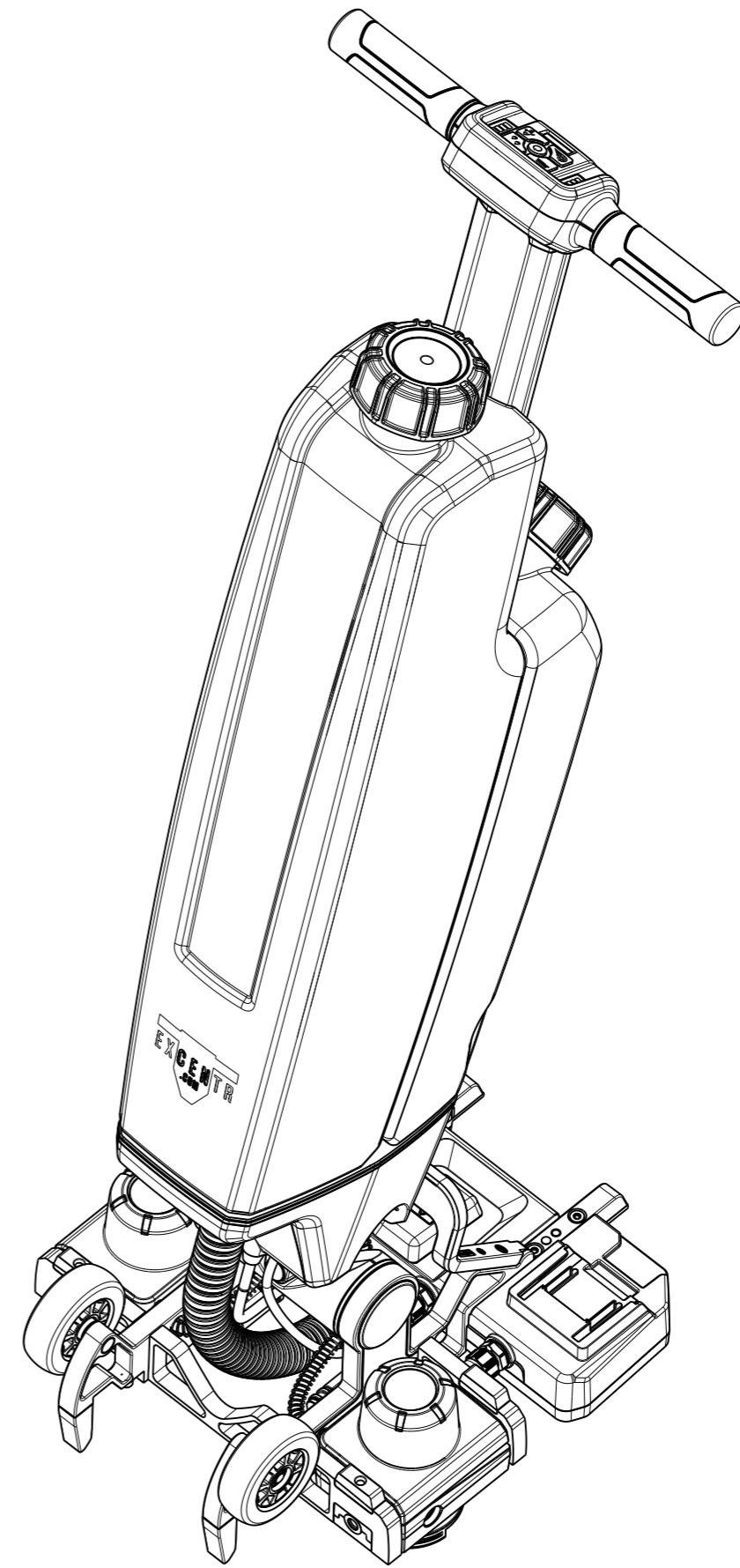
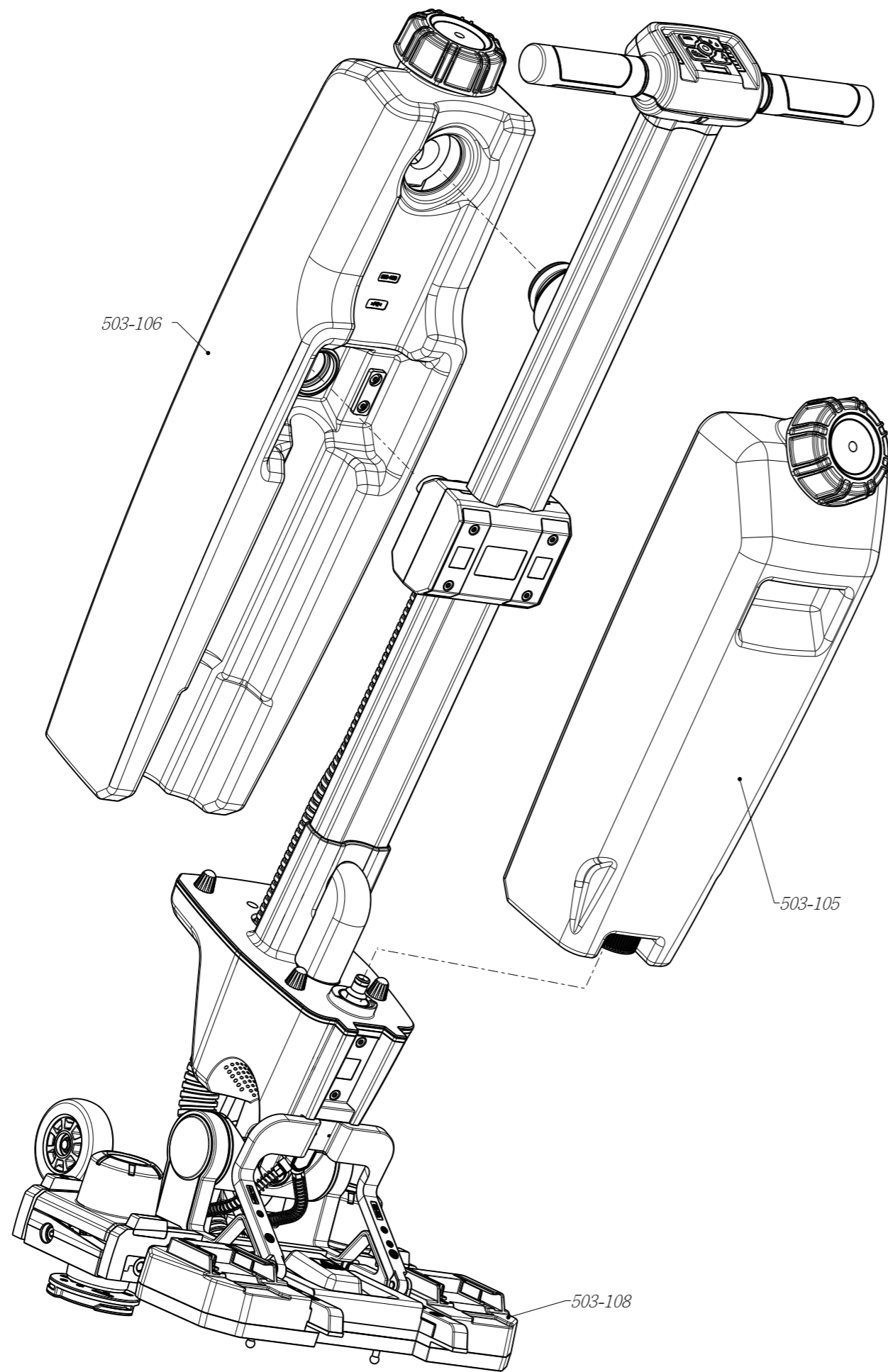
Rev. 01
Date 2024/09/10



503-001 X1 mop excentr ASM-2

Rev. 01
Date 2024/09/10

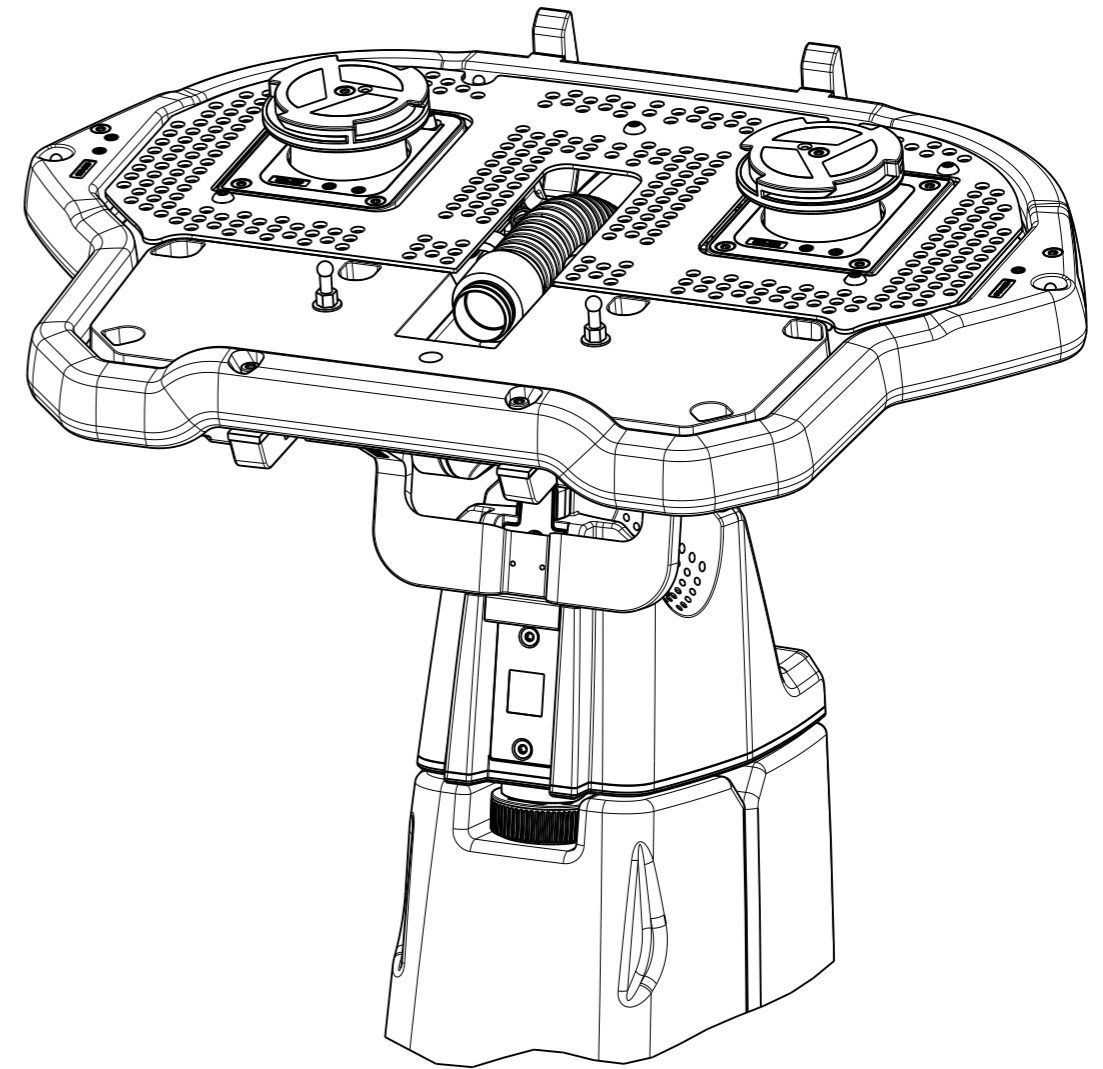
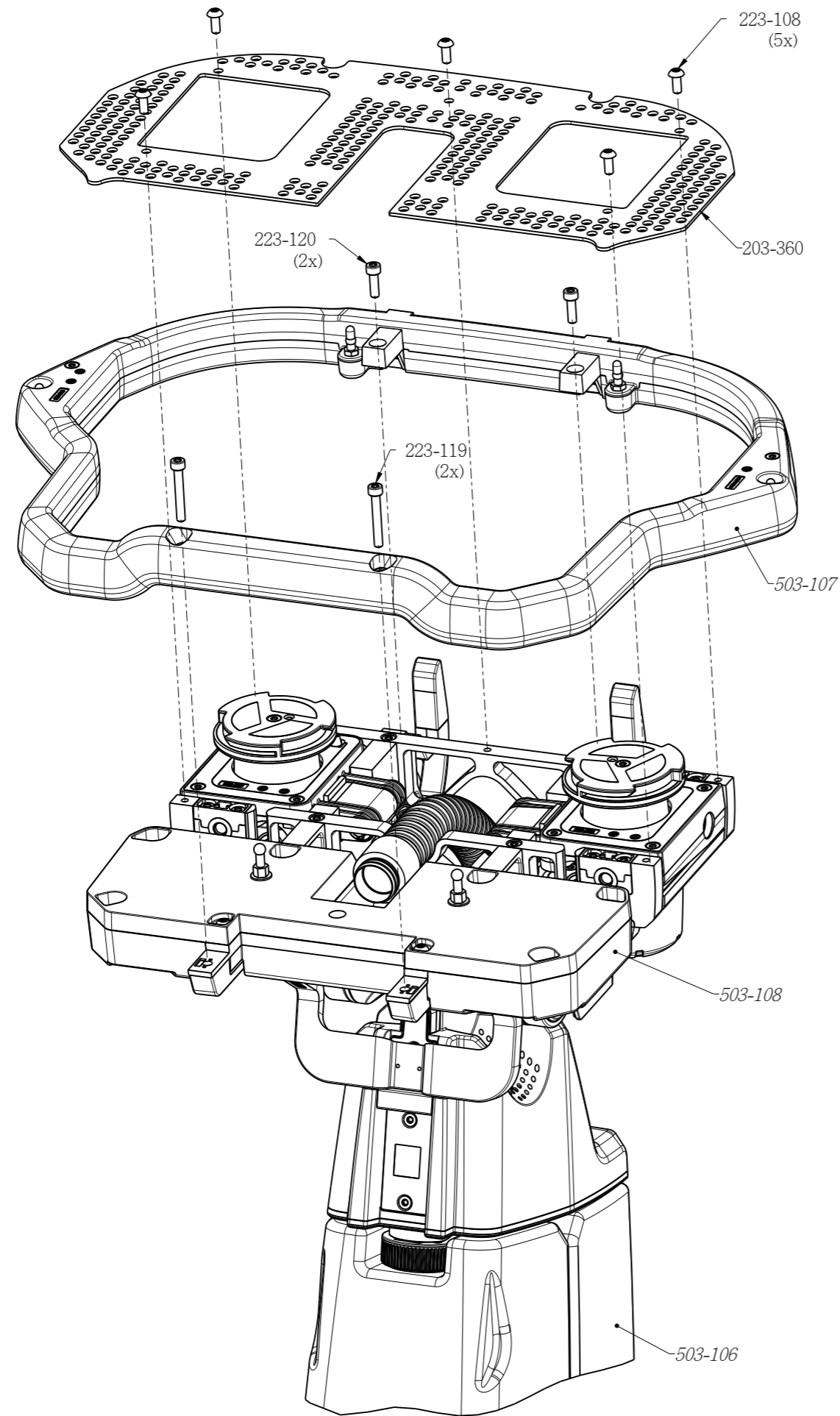
Derek Chen



503-001 X1 mop excentr ASM-3

Rev. 01
Date 2024/09/10

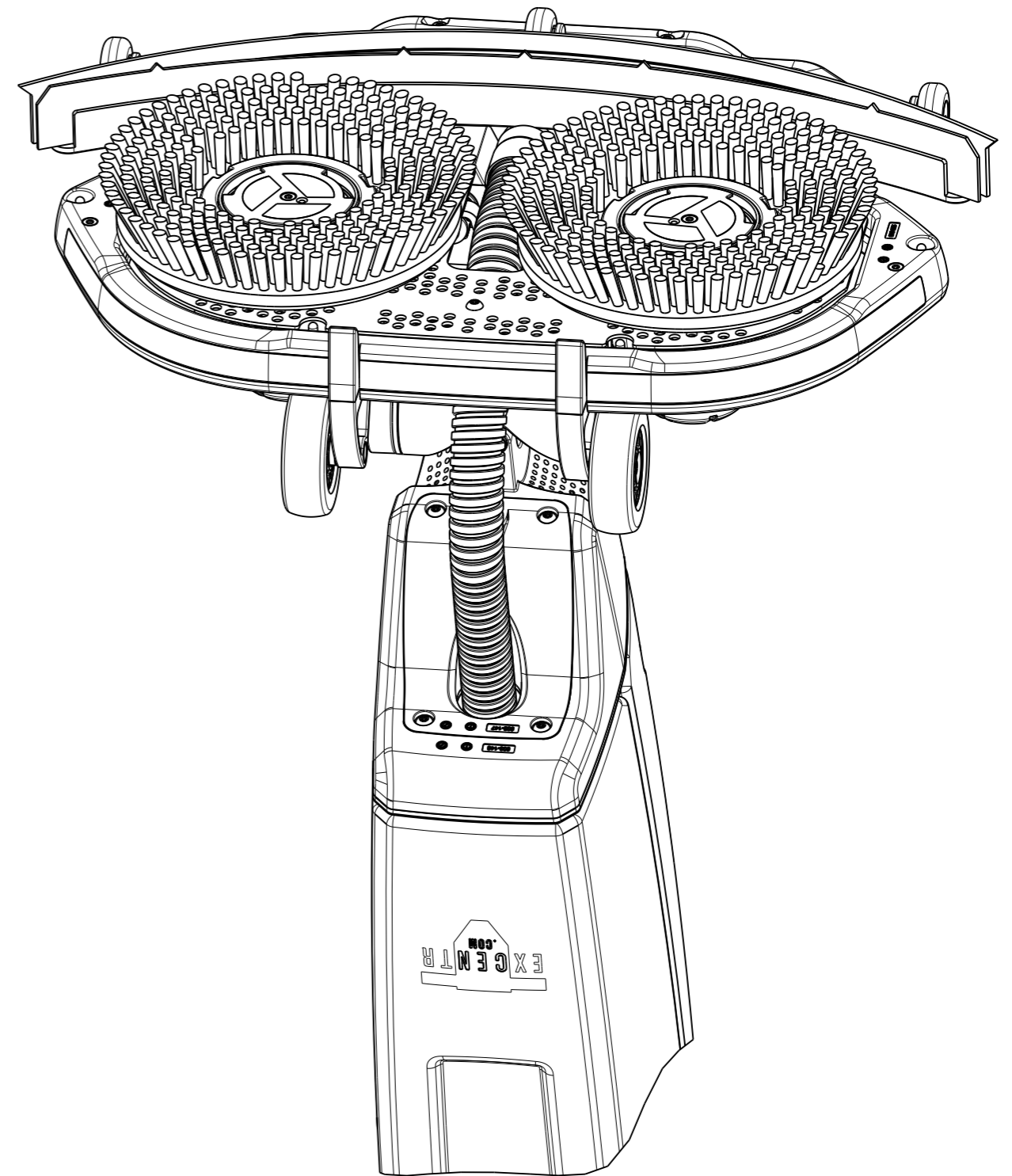
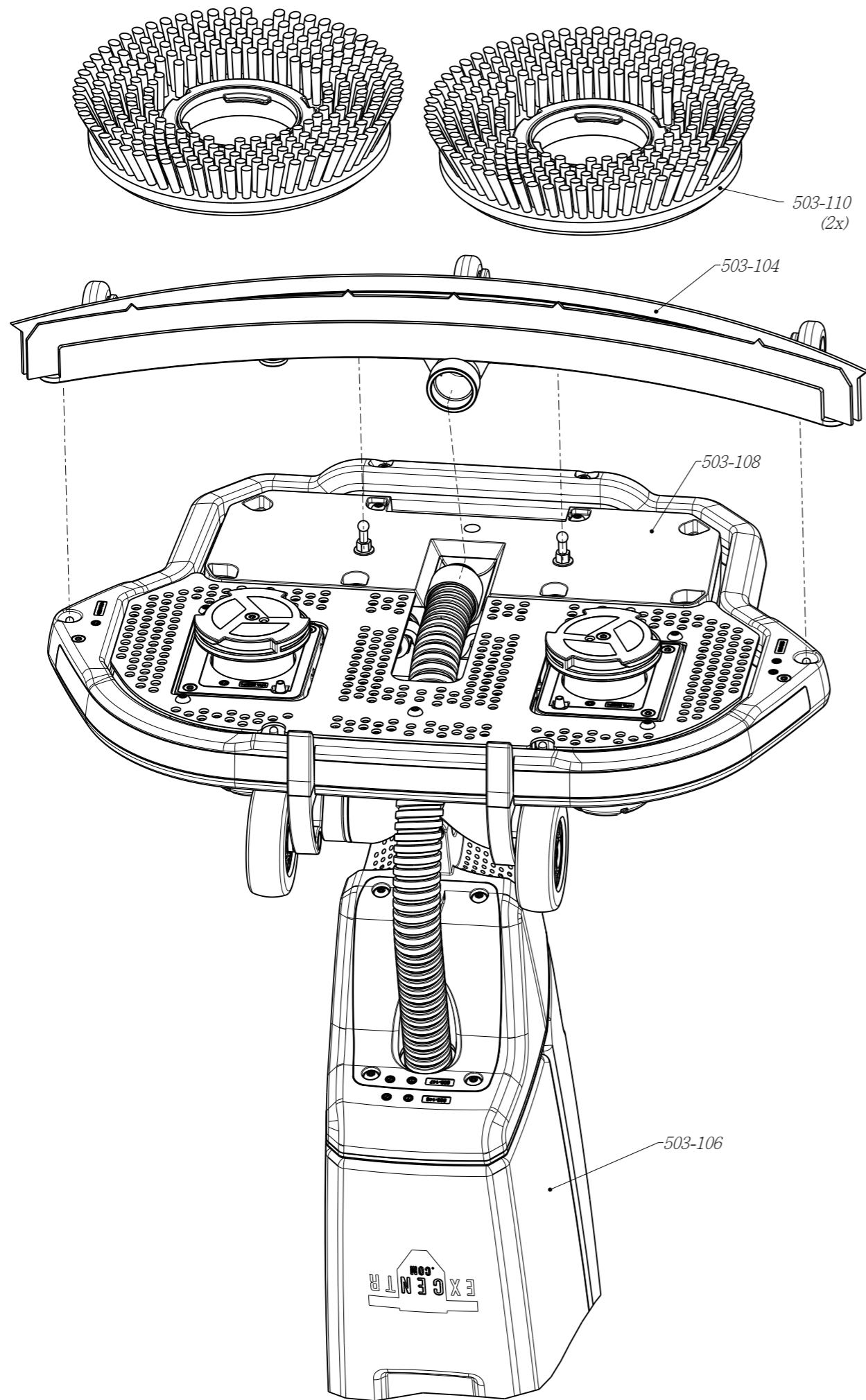
Derek Chen



503-001 X1 mop excentr ASM-4

Rev. 01
Date 2024/09/10

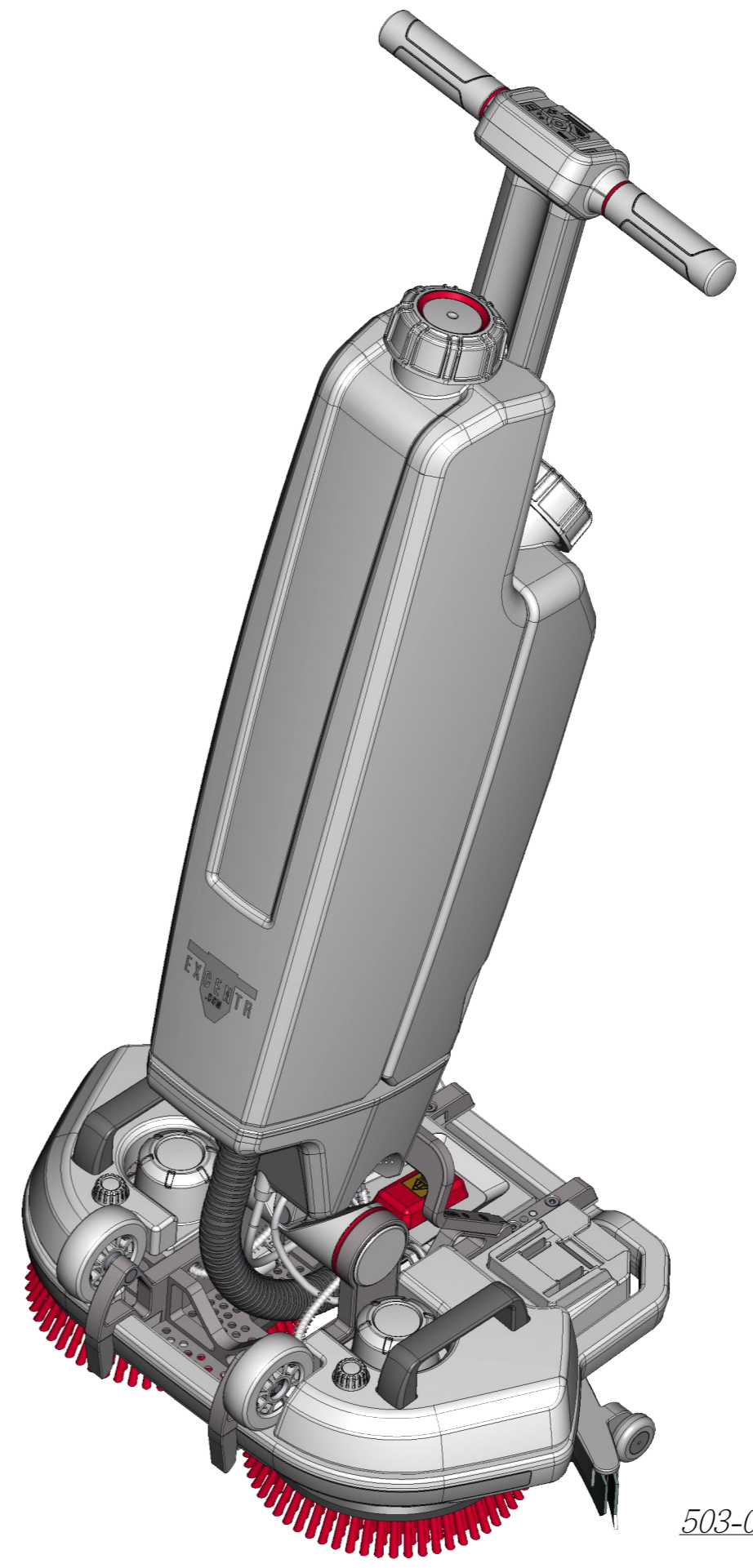
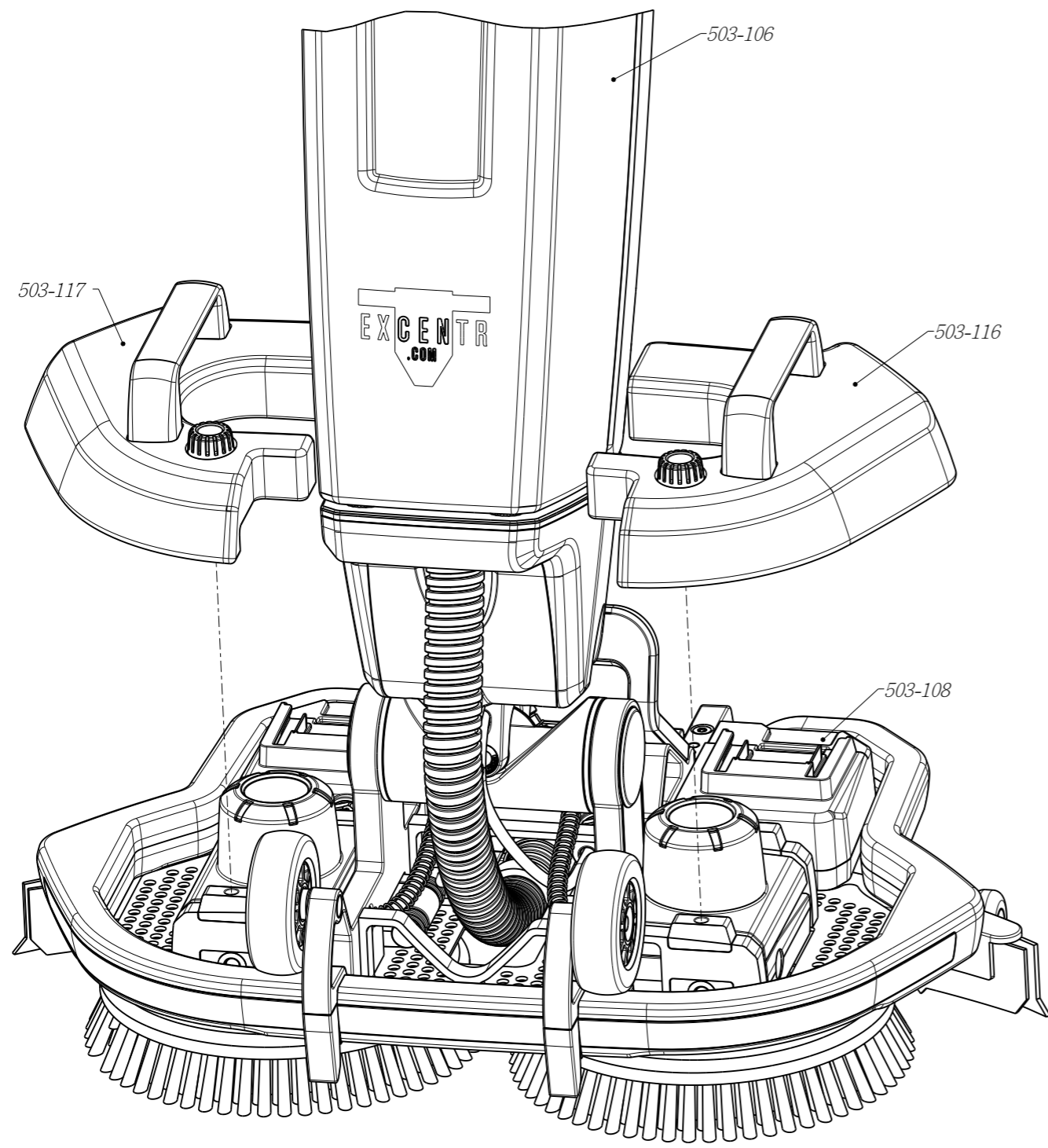
Derek Chen



503-001 X1 mop excentr ASM-5

Rev. 01
Date 2024/09/10

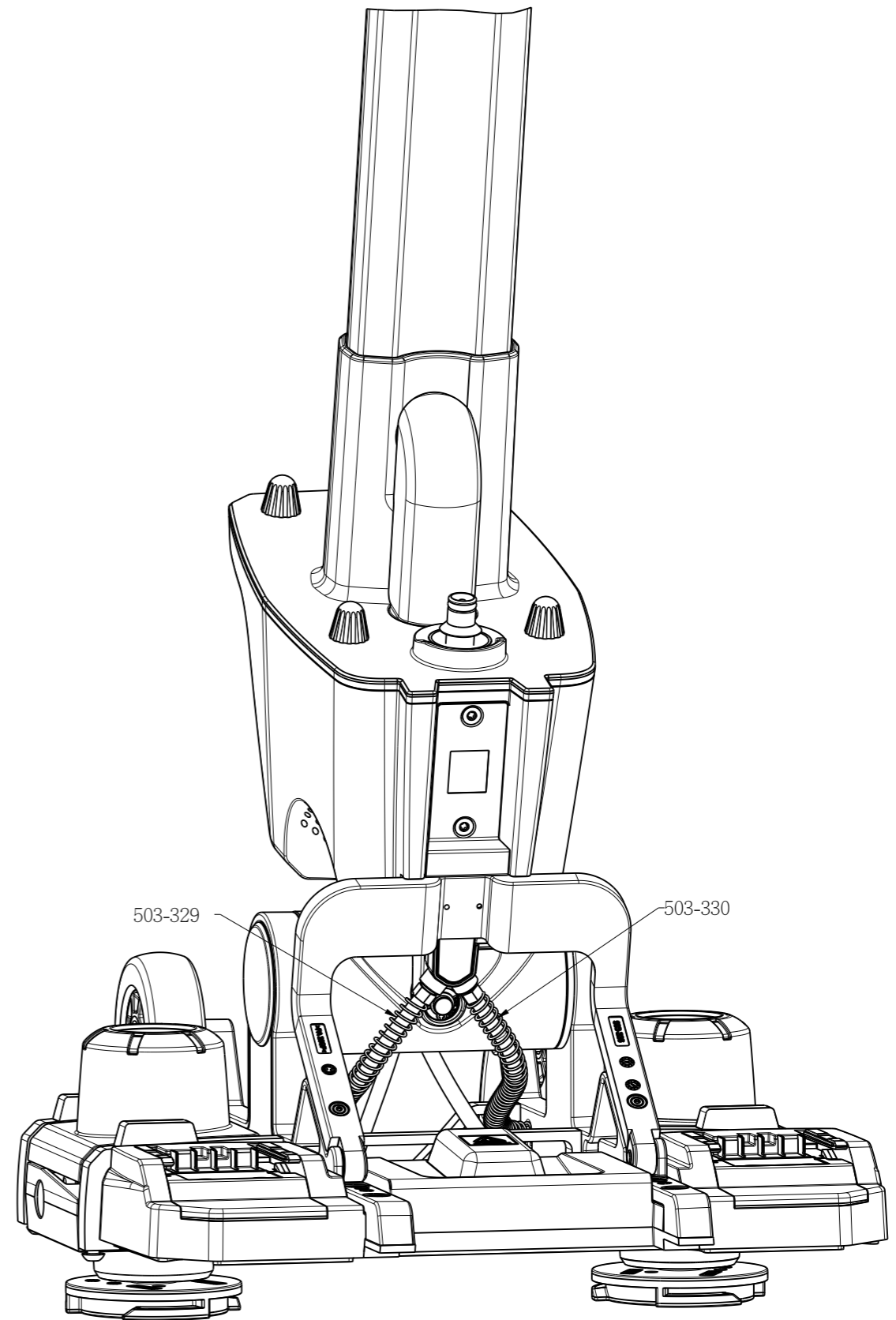
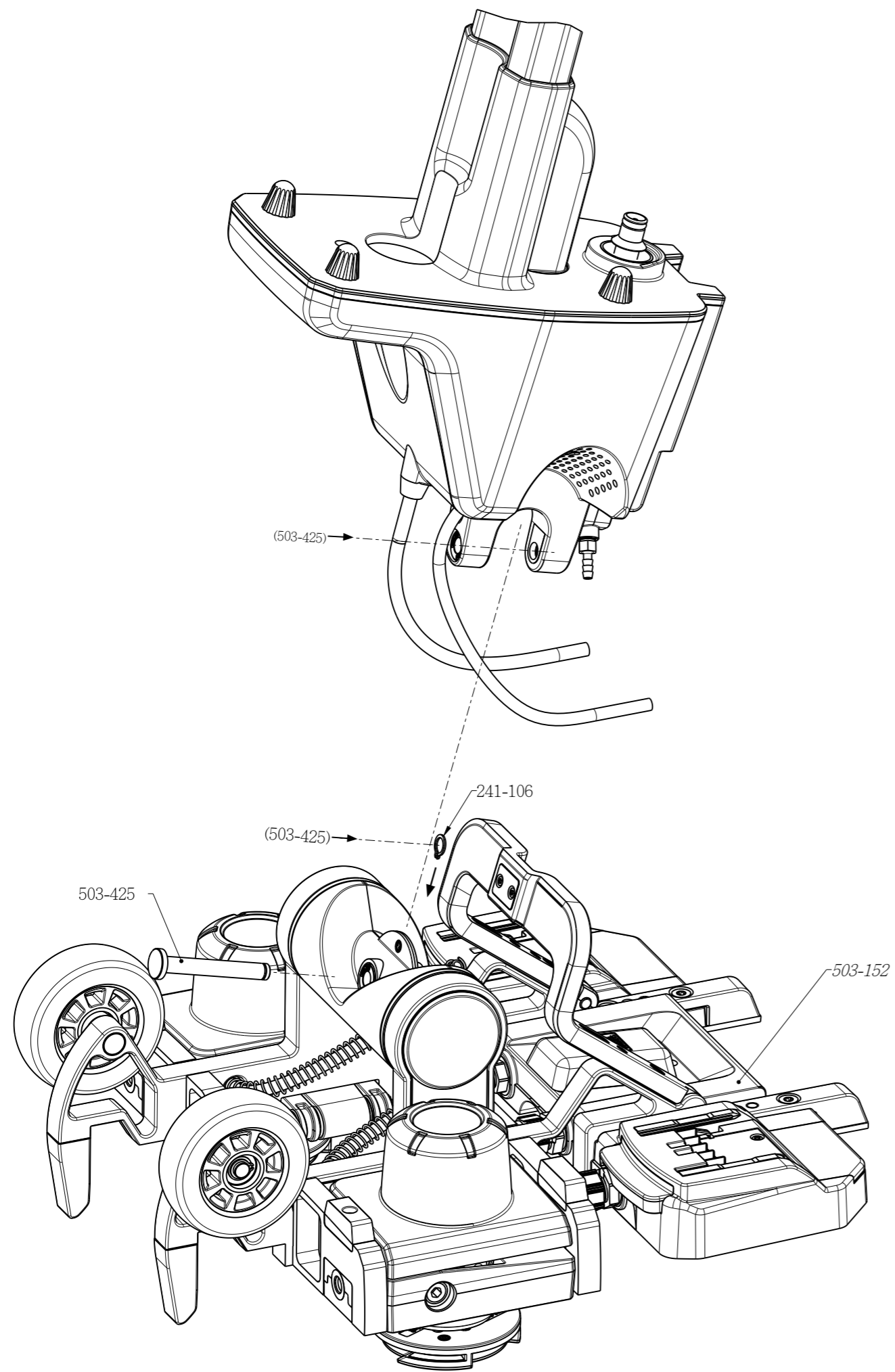
Derek Chen



503-001 X1 mop excentr

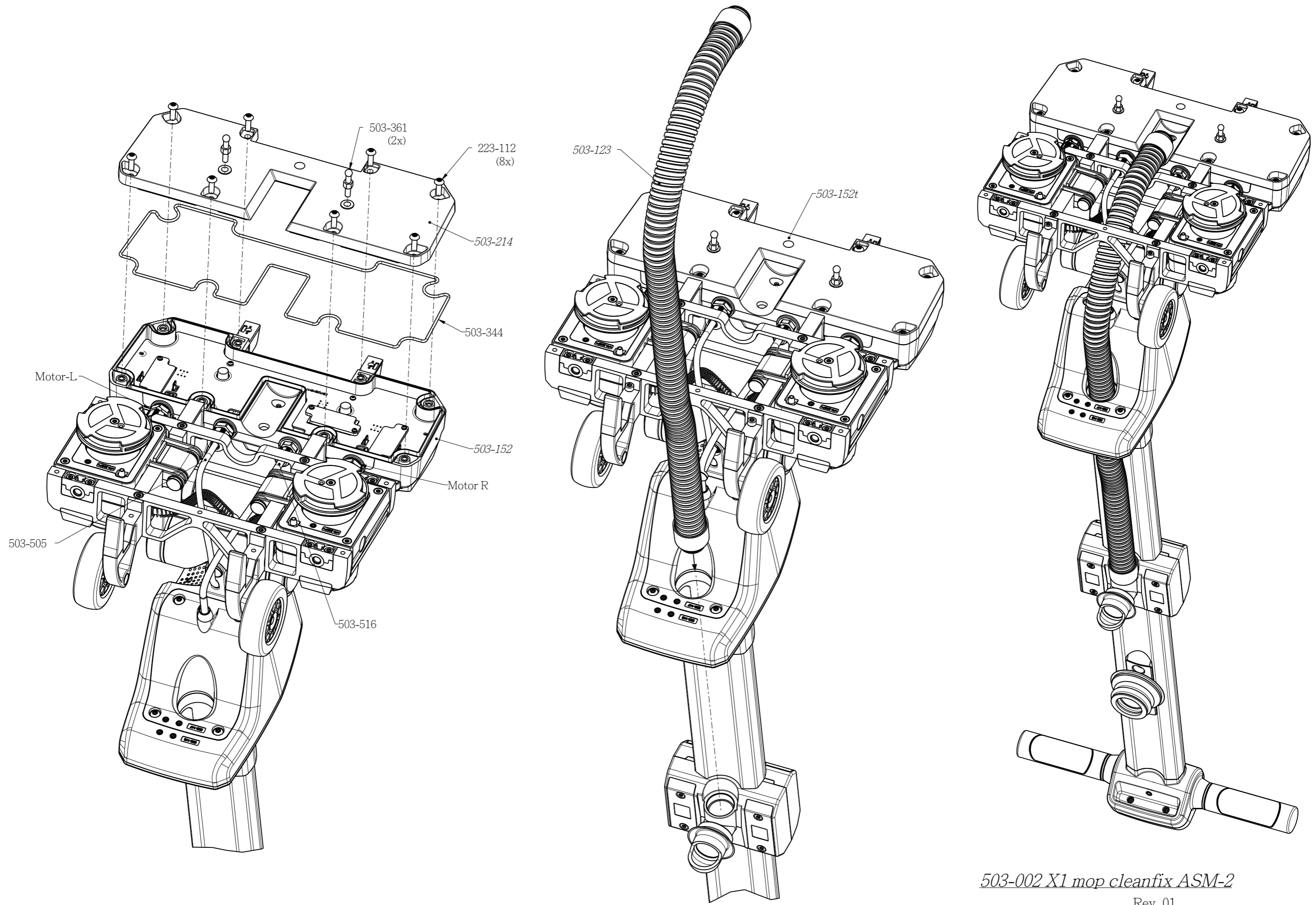
Rev. 01
Date 2024/09/10

Derek Chen



503-002 X1 mop cleanfix ASM-1

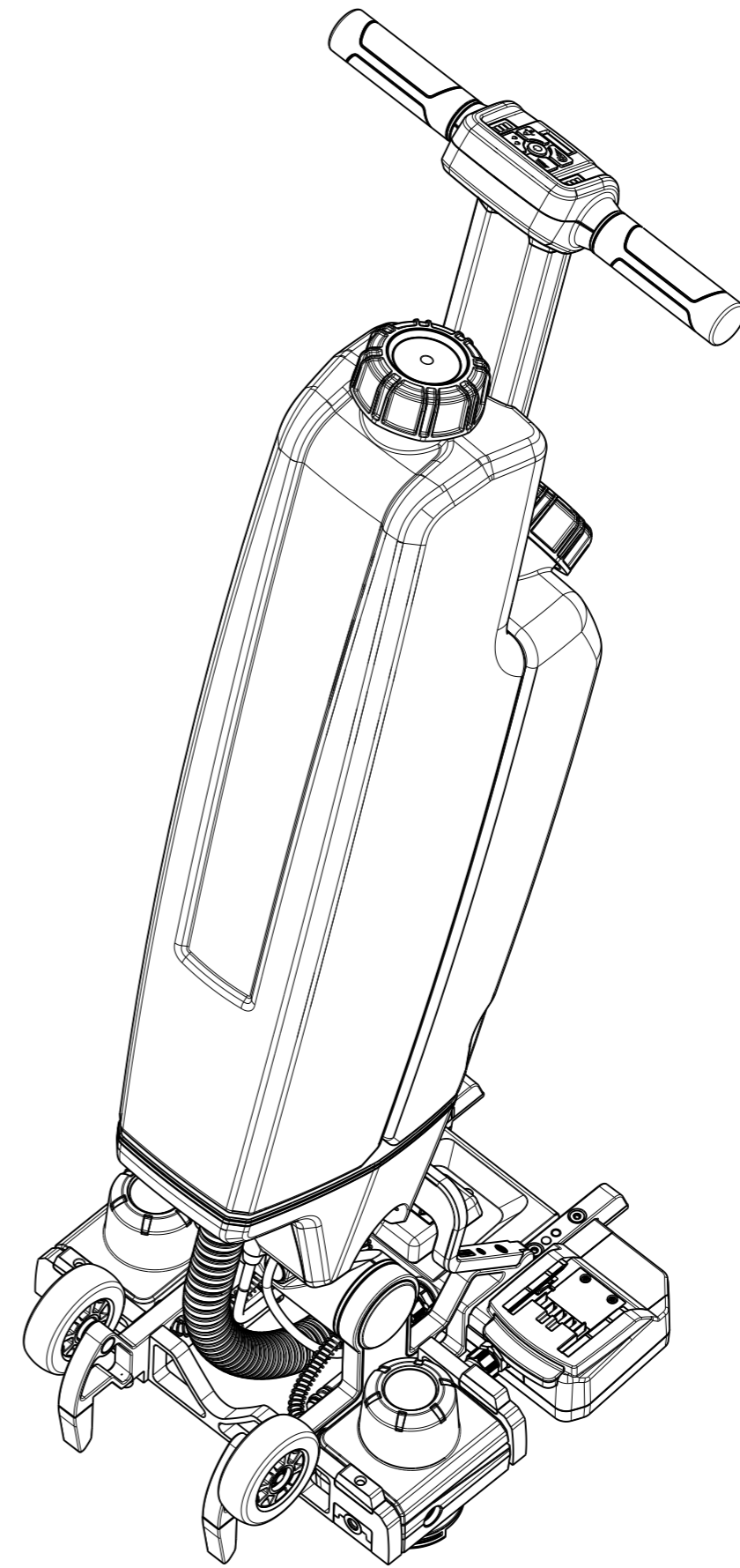
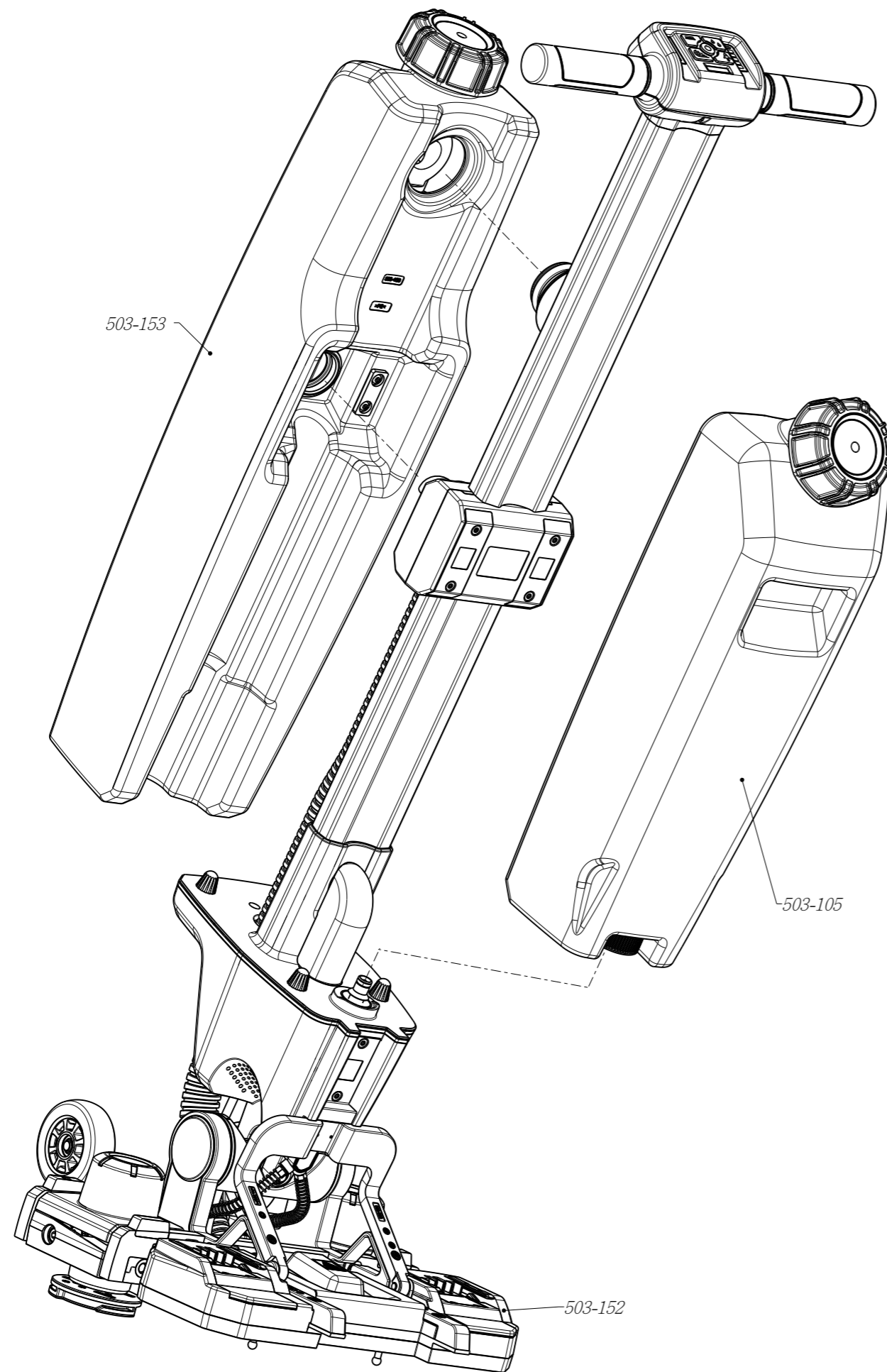
Rev. 01
Date 2024/09/10



503-002 X1 mop cleanfix ASM-2

Rev. 01
Date 2024/09/10

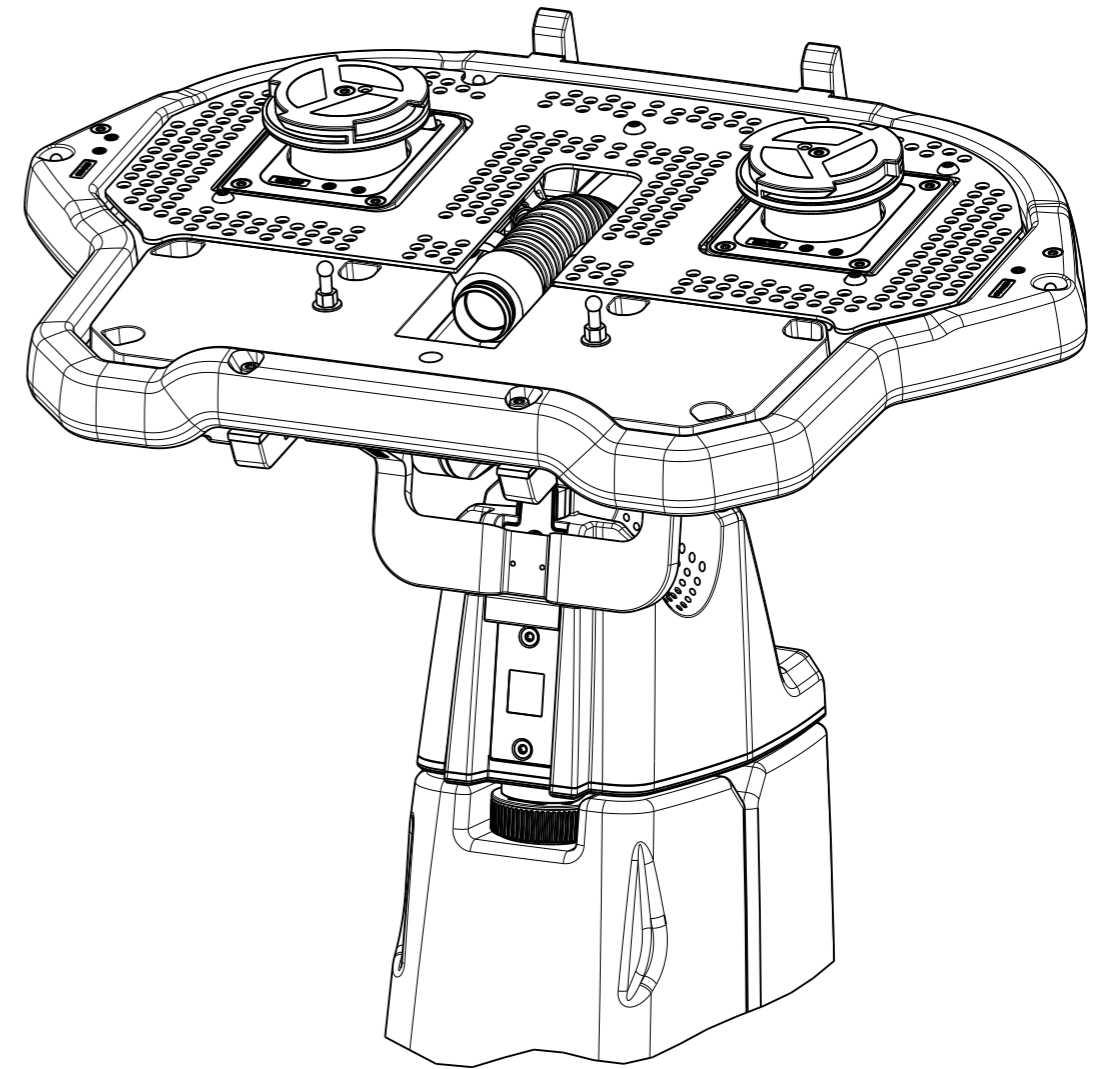
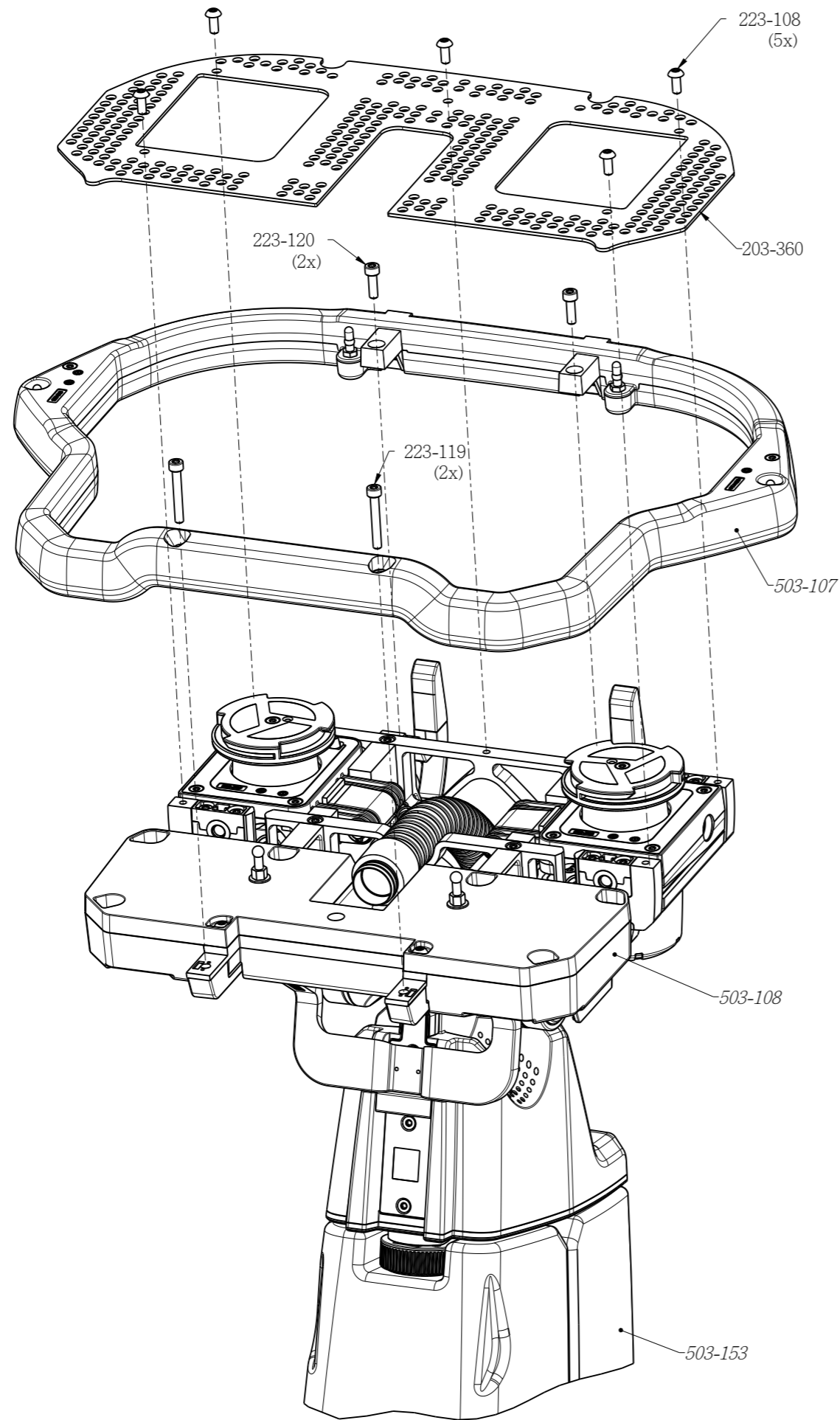
Derek Chen



503-002 X1 mop cleanfix ASM-3

Rev. 01
Date 2024/09/10

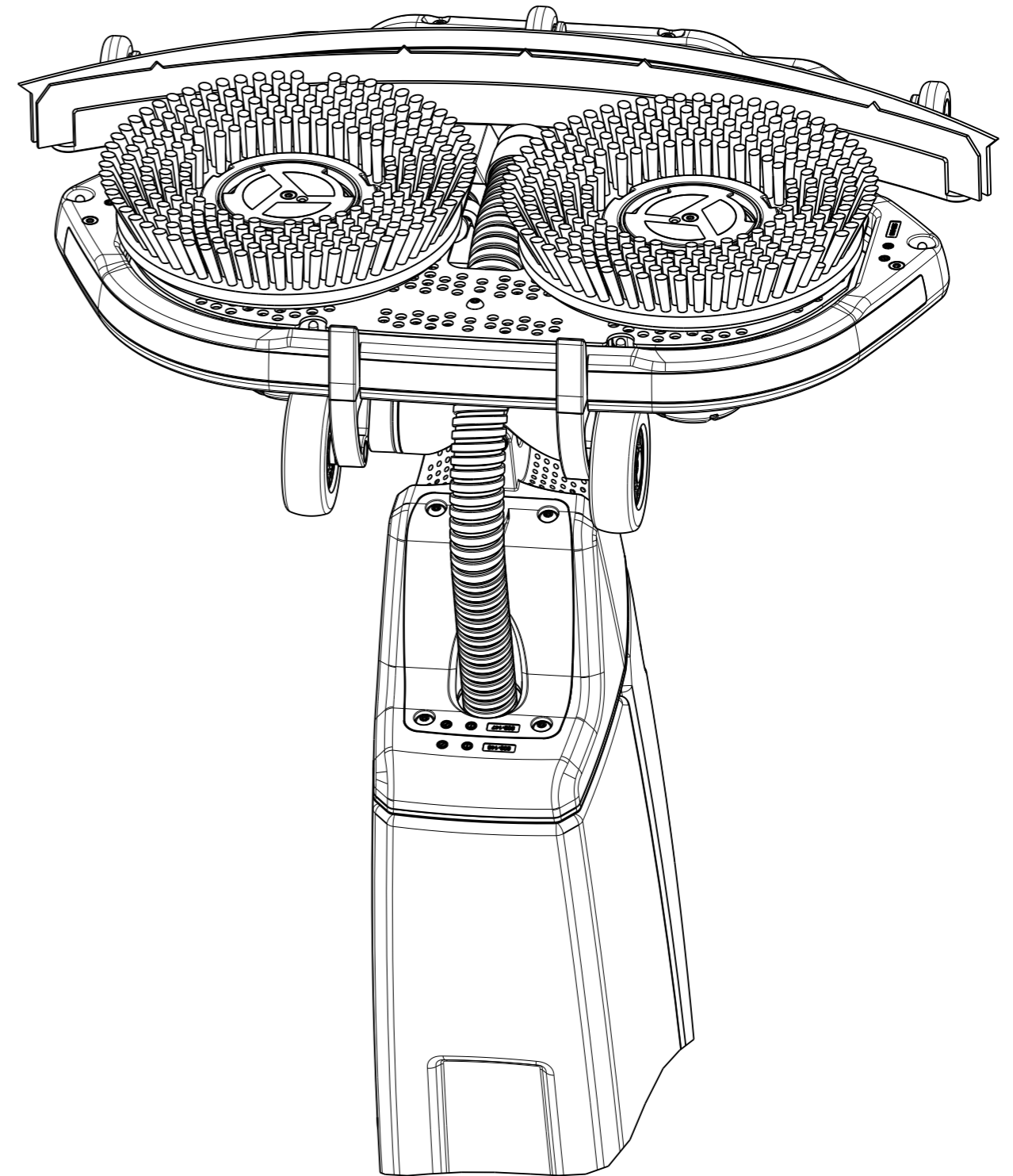
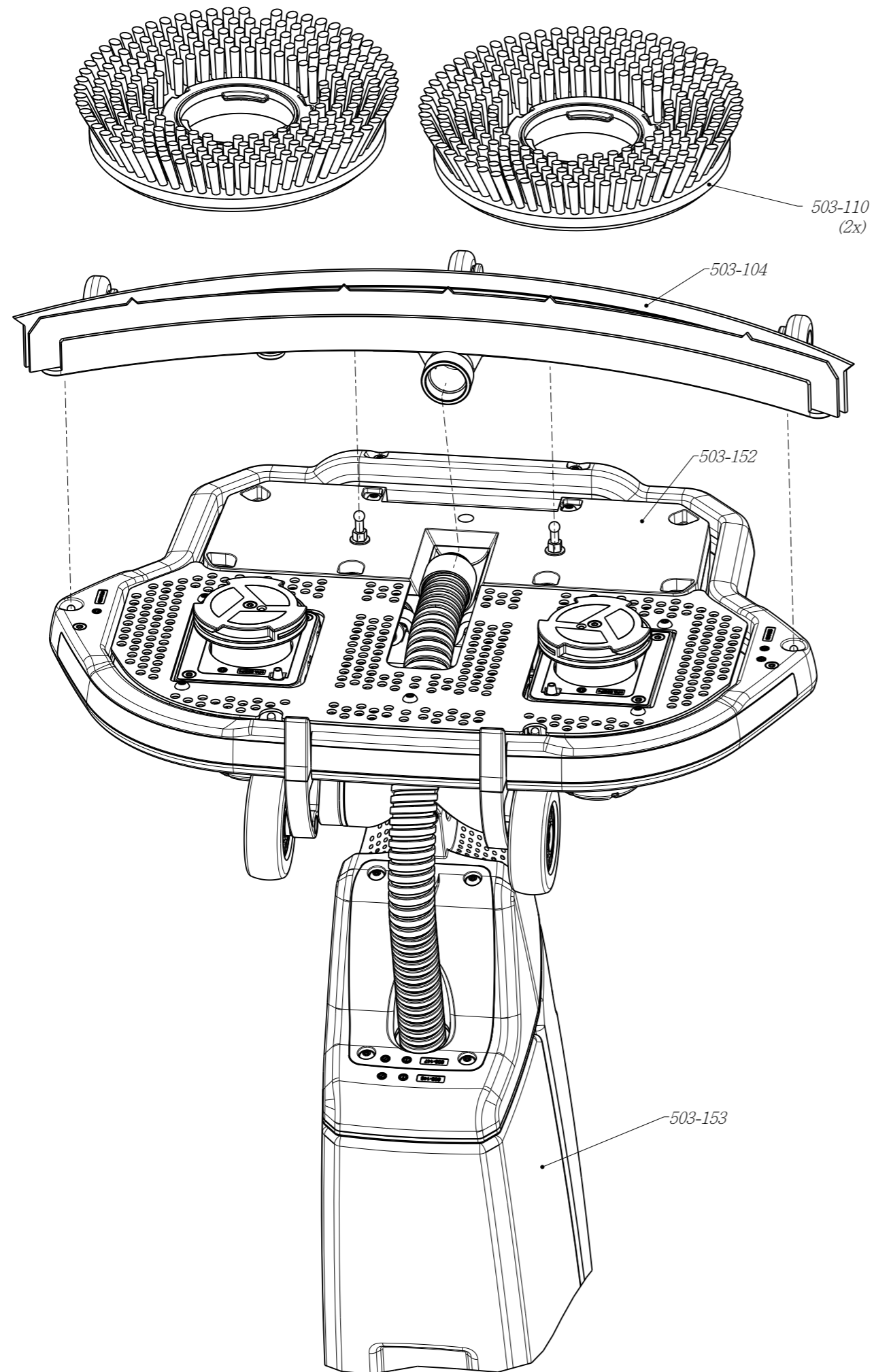
Derek Chen



503-002 X1 mop cleanfix ASM-4

Rev. 01
Date 2024/09/10

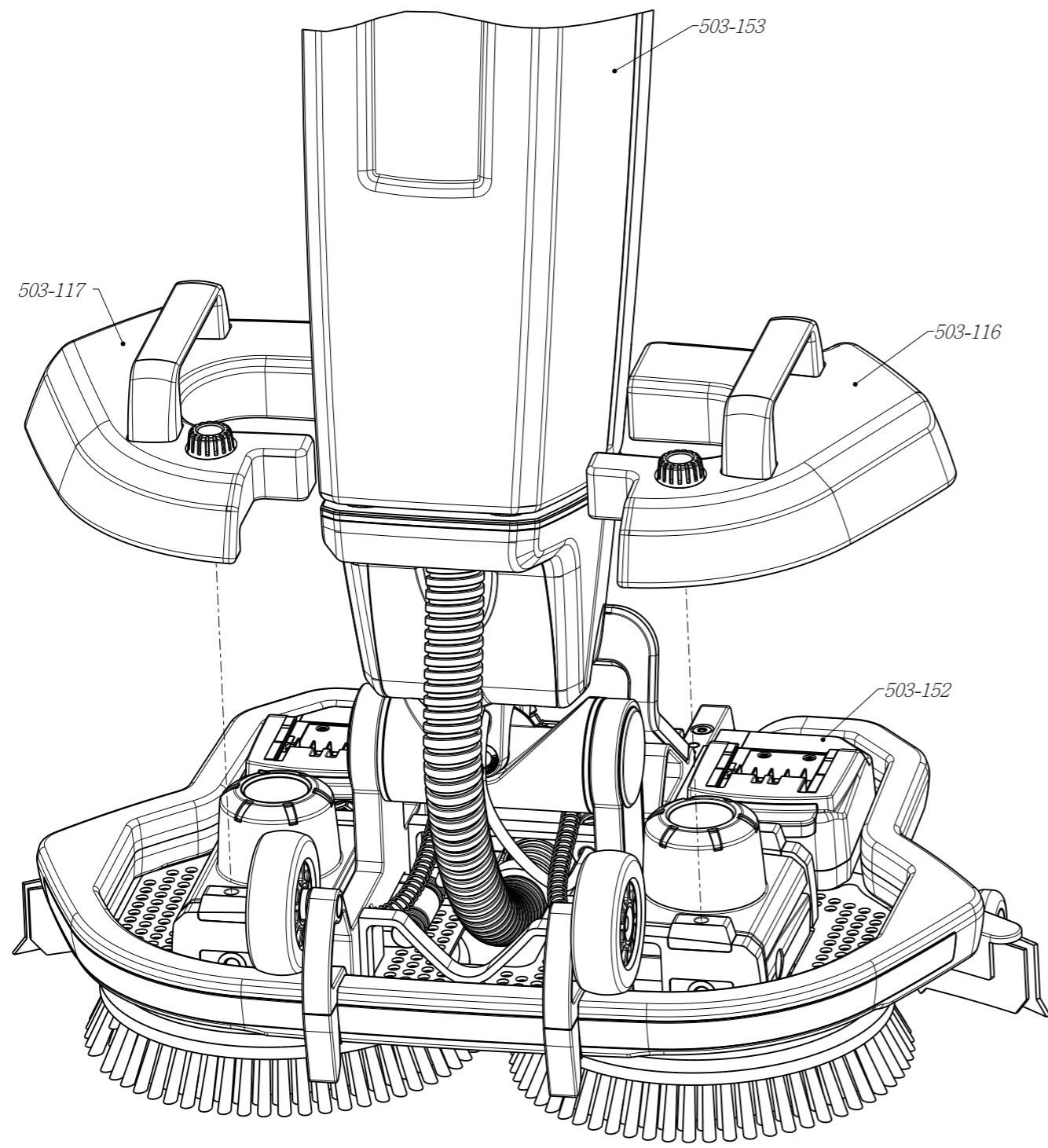
Derek Chen



503-002 X1 mop cleanfix ASM-5

Rev. 01
Date 2024/09/10

Derek Chen



503-002 X1 mop cleanfix

Rev. 01
Date 2024/09/10

Derek Chen