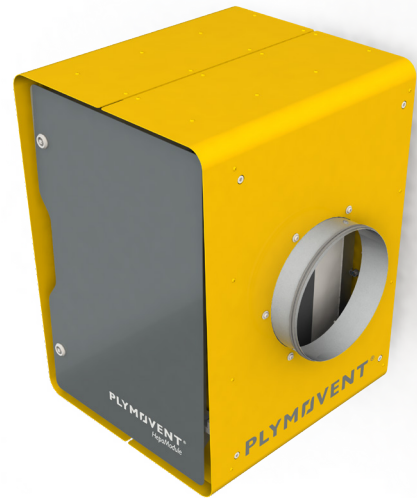


HEPAMODULE-30


HEPA FILTER MODULE

The HepaModule-30 is a universal, wall mounted unit with HEPA filter cassette. Due to the inlet/outlet connections with KEN-LOK sealing it is suitable for duct installation.

The HepaModule-30 is intended to use as a (final) filter in central extraction/filtration systems.

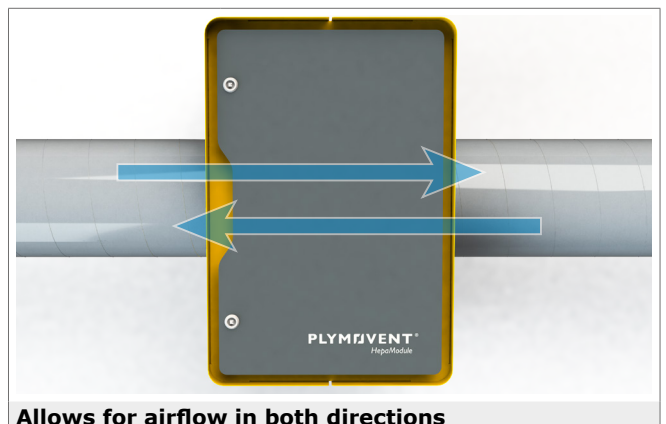


SPECIFICATIONS

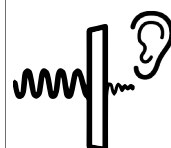
■ Physical dimensions and properties	
Material (housing):	electro-zinc coated steel (according to DIN EN 10152)
• steel grade	• DC01+ZE
• steel grade no.	• 1.0330
Colour	yellow RAL 1004 grey RAL 7011
Weight (net)	47 kg (104 lbs.)
■ Filter cassette	
Type	HEPA
Dimensions	457 x 610 x 292 mm (18 x 24 x 11½ in.)
Filter material	glass fibre paper
Filter surface area	30,2 m ² (325 ft ²)
Filter classification	H14
Frame	galvanized steel
Spacers	hotmelt
Bonding	2-component polyurethane
Gasket	continuous poured gasket
Washable	no
■ Performance	
Max. airflow	3000 m ³ /h (1765 CFM)
Pressure drop:	
• initial	• 280 Pa (1.1 in. WG)
• final	• 500 Pa (2 in. WG)
■ Ambient conditions	
Process temperature:	
• min.	• 5°C (41°F)
• nom.	• 20°C (68°F)
• max.	• 70°C (158°F)
Max. relative humidity	90%
Suitable for outdoor use	no
Storage conditions	• 5-45°C (41-113°F) • relative humidity max. 90%
■ Options and accessories	
Manometer kit	

■ Product combinations	
Type:	Ductwork (general):
• HepaModule-30	• Ø 250 mm (10 inch)
■ Scope of supply	
Filter module – Mounting bracket – Hardware	
■ Order information	
Product type	HepaModule-30
Article no.	0000118730
Number/package	1
■ Shipping data	
Gross weight (incl. pallet)	56 kg (123 lbs.)
Packing dimensions (incl. pallet)	800 x 600 x 840 mm (31½ x 23¾ x 33⅛ in.)
Max. number/pallet	2
Harmonized Tariff Code	84213925

FEATURES & BENEFITS

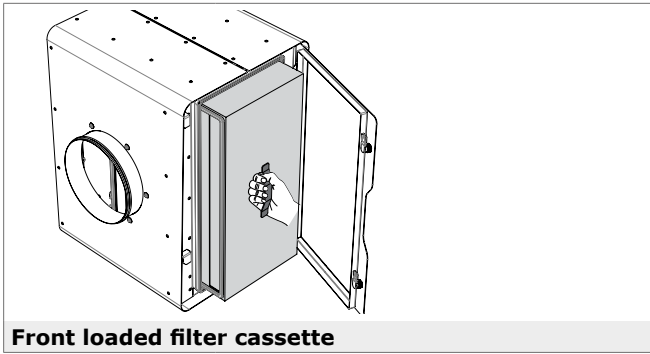


Allows for airflow in both directions



The noise reduction of a HepaModule is comparable with a regular duct silencer of Plymovent.

Sound absorbing characteristics



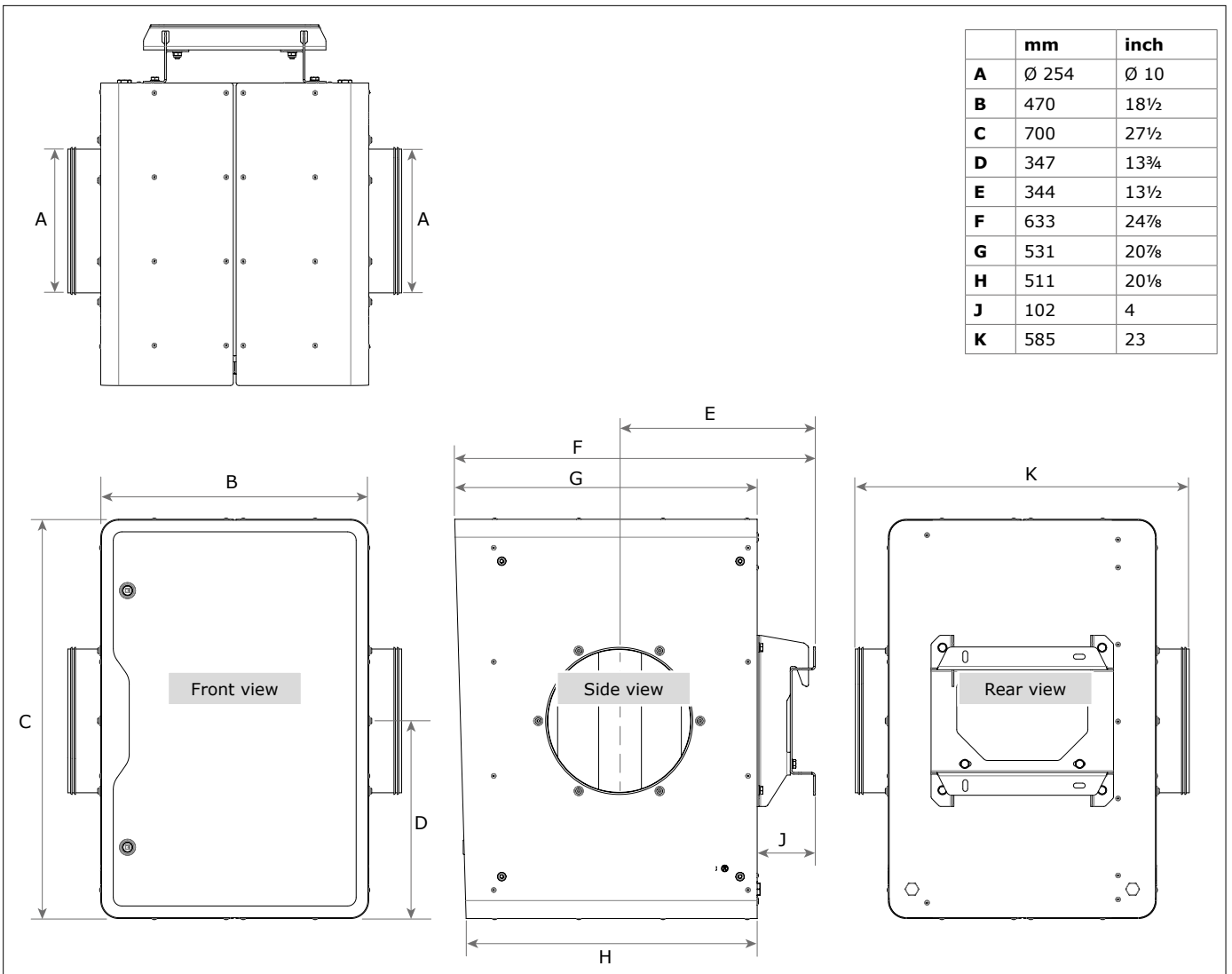
Front loaded filter cassette

APPROVALS/CERTIFICATES

EN 1822:2009

Each HEPA filter cassette is accompanied by an individual test certificate

DIMENSIONS



Application restrictions

Do **not** use the product for the following applications or in the following circumstances: welding, cutting or grinding sparks | polishing applications in combination with grinding, welding or any other application that generate sparks (fibres from polishing or abrasive flap disks are highly flammable and pose a high risk of filter fires when exposed to sparks) | aluminium laser cutting | oil mist | heavy oil mist in welding fume | arc-air gouging | extraction of aggressive fumes and gases (e.g. from acids, from alkaline, from soldering paste containing lithium) | extraction of hot gases (more than 70°C/158°F continuously) | grinding aluminum and magnesium | flame spraying | extraction of cement, saw dust, wood dust etc. | sucking cigarettes, cigars, oiled tissues and other burning particles, objects and acids | explosive environments or explosive substances/gases



Product type

HepaModule-30

Article no.

0000118730

Product category

Stationary filter units

Version

120819/0

Always check the latest version on www.plymovent.com