

MOBILEPRO/PTFE

MOBILE WELDING FUME EXTRACTOR


The MobilePro/PTFE is a mobile welding fume filter with built-in fan. The highly efficient filter cartridge is self-cleaning by the integrated RamAir™ pulse amplifier, based on external compressed air supply.

Thanks to the four transport wheels (two of which are swivel casters with brake), the MobilePro/PTFE is suitable for use in relatively small facilities or near sources of pollution without a fixed location.

The extraction arm is to be selected and ordered separately.



APPLICATIONS

The MobilePro/PTFE is intended to be used for the following applications: 

- MIG-MAG/GMAW welding
- TIG welding
- FCAW welding
- stick/MMAW welding
- stainless steel welding
- grinding
- polishing
- finishing

SPECIFICATIONS

Physical dimensions and properties

Material (housing):	electro-zinc coated steel (according to DIN EN 10152)
• steel grade	• DC01+ZE
• steel grade no.	• 1.0330
Colour	yellow RAL 1004
Weight (net)	169 kg (373 lbs.)
Supply cable:	
• type	• SJOOW 3xAWG14
• length	• 4,5 m (14.8 ft)
Plug type	NEMA 5-15P
Capacity of dust tray	10 litres (2.6 gallon)

Filter cartridge

Type	CART-O/PTFE
Shape	cylindric
Filter material	100% BiCo polyester with PTFE membrane
Filter surface area	10 m ² (108 ft ²)
Filter class	MERV 16 according to ASHRAE 52.2
Washable	no

Compressed air system

Required compressed air quality	dry and oil-free according to ISO 8573-3 class 6
Inlet pressure	5-10 bar (75-150 PSI)
Required pressure	5 bar (75 PSI) (by integrated pressure regulator)
Compressed air connection	G 3/8" (female)
Compressed air consumption	35 NI (1.2 ft ³) per pulse

Volume of compressed air tank	10 litres (2.6 gallon)
Activation of filter cleaning system (online only)	<ul style="list-style-type: none"> • pressure controlled (threshold value: 1000 Pa / 4 in. WG) • manually by push button
Duration of filter cleaning cycle (6 pulses)	60 seconds

Performance

Fan type	radial
Extraction capacity (incl. extraction arm)	max. 1200 m ³ /h (700 CFM)
Fan speed:	<ul style="list-style-type: none"> • 50 Hz motor • 60 Hz motor • 2900 rpm • 3390 rpm
Noise level	72 dB(A) according to ISO 3746

Electrical data

Power consumption	1,1 kW (1.5 HP)
Available connection voltages	refer to Order information
Motor design	IEC
Energy efficiency:	<ul style="list-style-type: none"> • single phase motor • three-phase motor • n.a. • IE3 / premium

Ambient conditions

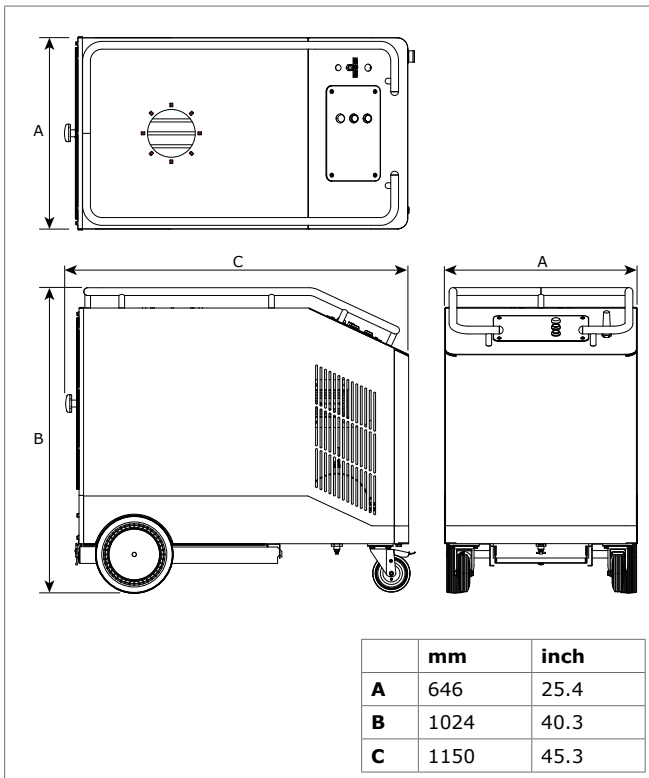
Process temperature:	<ul style="list-style-type: none"> • min. • nom. • max. • 5°C (41°F) • 20°C (68°F) • 70°C (158°F)
Max. relative humidity	90%
Suitable for outdoor use	no
Storage conditions	<ul style="list-style-type: none"> • 5-45°C (41-113°F) • relative humidity max. 80%

Product combinations

KUA-2/S / KUA-3/S / KUA-4/S	ball bearing extraction arm (360° rotatable)
EA-3/S / EA-4/S	hose tube extraction arm (360° rotatable)

Option: HL-20/24-160	halogen working light with switch box (arm 359° rotatable)
■ Scope of supply	
Mobile unit – Hexagon bolt M6x25 (8) – Washer (8) – Cable gland (2)	
■ Order information	
Article no.:	MobilePro/PTFE:
• 0000112344	• 115V/1ph/50Hz
• 0000104174	• 115V/1ph/60Hz
• 0000112342	• 230V/1ph/50Hz
• 0000112343	• 400V/3ph/50Hz
Number/package	1
■ Shipping data	
Gross weight (incl. pallet)	206 kg (454 lbs.)
Packing dimensions (incl. pallet)	800 x 1200 x 1200 mm (47.2 x 31.5 x 47.2 in.)
Max. number/pallet	1 (stack: max. 2 pallets)
Harmonized Tariff Code	8421.39.2090

DIMENSIONS



FEATURES & BENEFITS

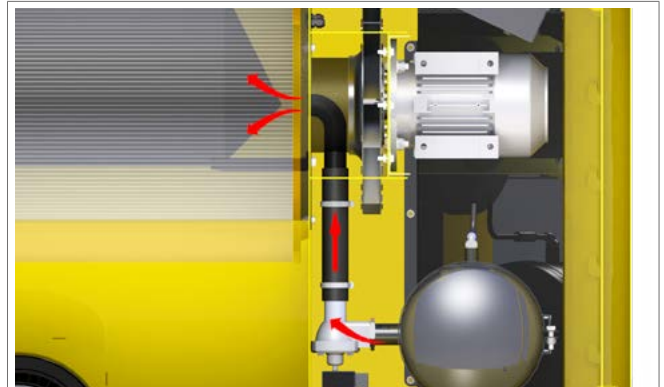


Versatile handlebar:

- easy to move the unit
- allows to place tools on the unit and prevents them from falling off



Lockable dust tray

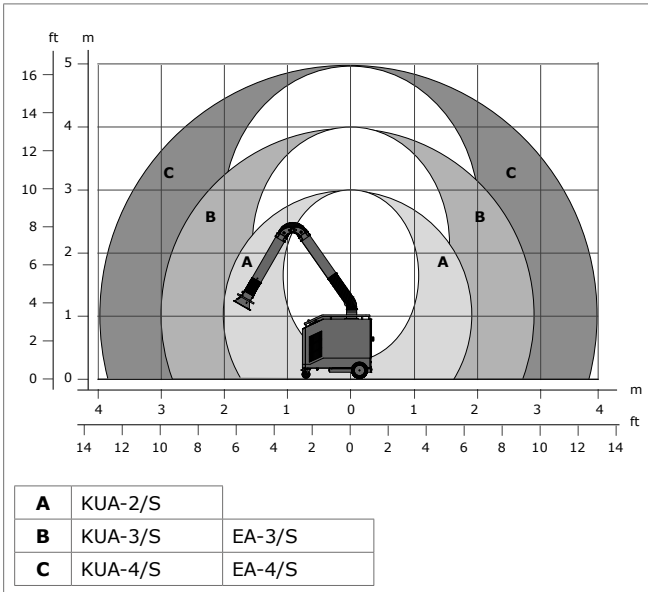


RamAir™ pulse amplifier: effective cleaning of the filter cartridge by powerful compressed air pulses



Easy control; design according to UL-508A Standard

WORKING RANGE



MobilePro/PTFE with extraction arm

APPROVALS/CERTIFICATES

	Directive 2011/65/EC (RoHS) valid as of 8 June 2011
W3 compliant	in accordance with EN-ISO 15012-1:2013

Application restrictions

Do **not** use the product for the following applications or in the following circumstances: polishing applications in combination with grinding, welding or any other application that generate sparks (fibres from polishing or abrasive flap disks are highly flammable and pose a high risk of filter fires when exposed to sparks) | aluminium laser cutting | oil mist | heavy oil mist in welding fume | arc-air gouging | extraction of aggressive fumes and gases (e.g. from acids, from alkaline, from soldering paste containing lithium) | extraction of hot gases (more than 70°C/158°F continuously) | grinding aluminum and magnesium | flame spraying | extraction of cement, saw dust, wood dust etc. | sucking cigarettes, cigars, oiled tissues and other burning particles, objects and acids | explosive environments or explosive substances/gases

Product type	MobilePro/PTFE
Article no.	0000104174
Product category	mobile filter units
Version	111217/D

Always check the latest version on www.plymovent.com