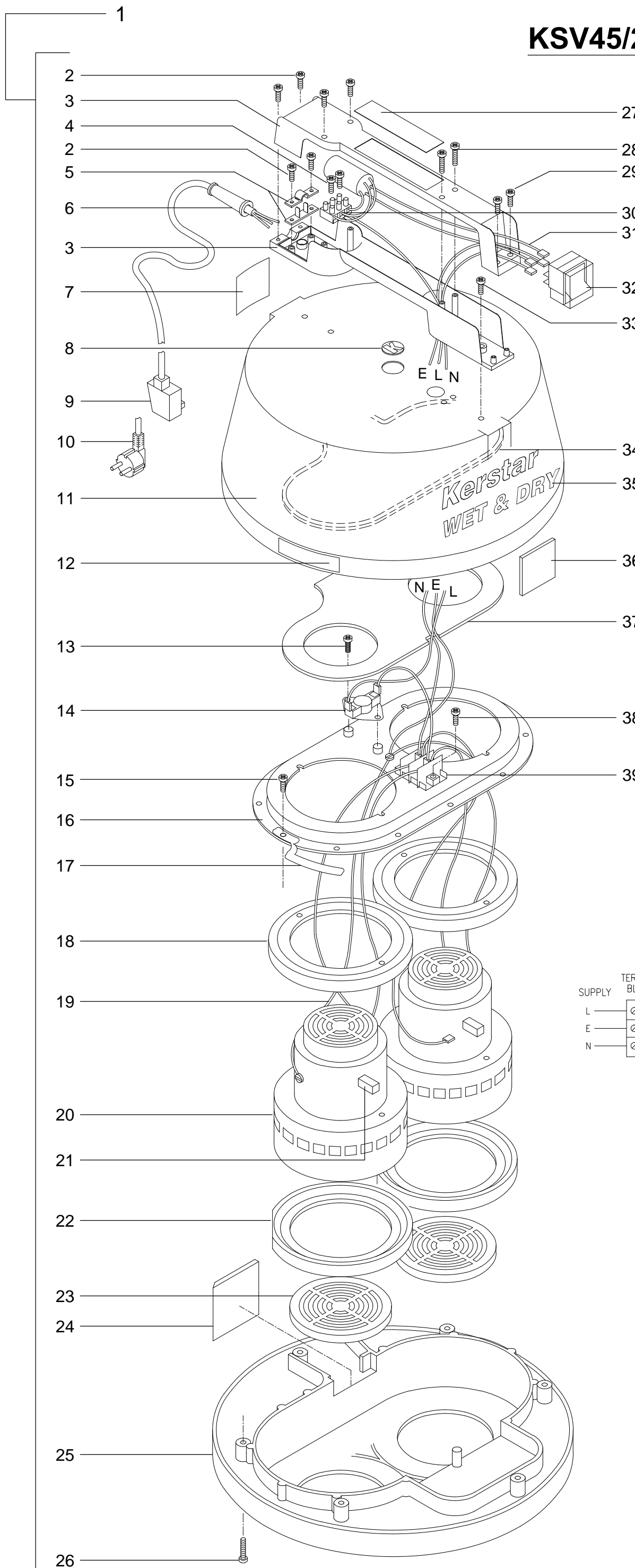
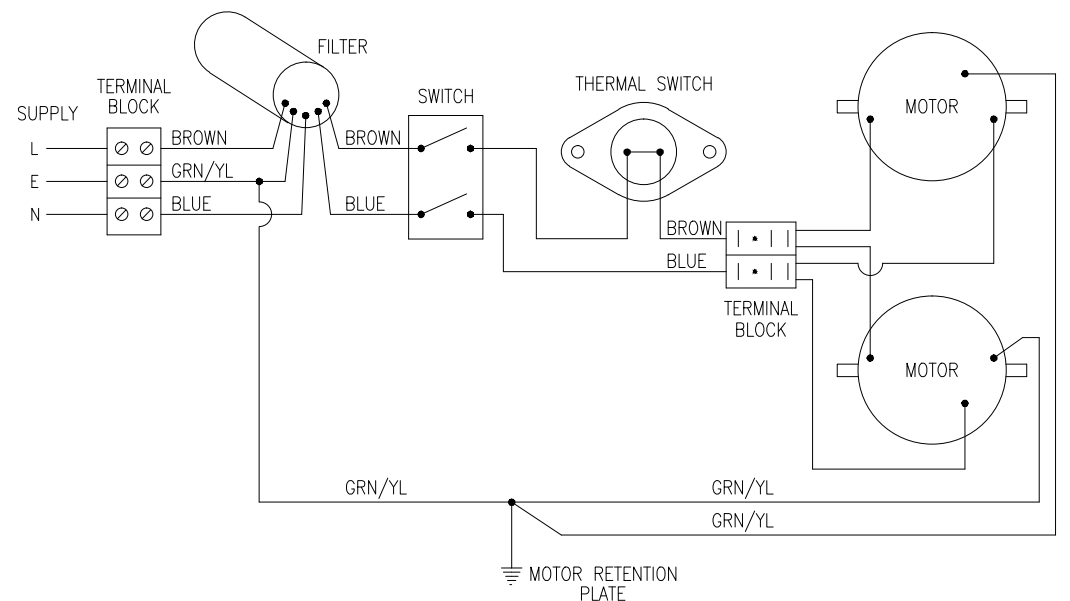


KV20, 25, 30, 45, 50 & 100/2 W/D KSV45/2C & KSV45/2W MOTOR HEAD 230V



ITEM	QTY	DESCRIPTION
1	1	KV20-100/2 W/D & KSV MOTOR HEAD 230V
2	4	No6 x 5/8" PLASTITE SCREW
3	1	2 PART HANDLE
4	2	No4 x 3/4" SELF TAP SCREW
5	1	CABLE CLAMP SET
6	1	CABLE GROMMET
7	1	IF LIQUID WARNING LABEL
8	1	KERSTAR LOGO LABEL BLUE
9	1	CABLE/PLUG PACK 10M x 1.5mm 3 CORE WITH UK PLUG
10	1	CABLE/PLUG PACK 10M x 1.5mm 3 CORE WITH EURO PLUG
11	1	KV20-100 TOP COVER
12	1	CLIP HERE TO EARTH BOND CAN YELLOW LABEL
13	3	M4 x 12 PAN HEAD SCREW
14	1	KV20-100 THERMAL SWITCH
15	13	No8 x 3/4" PLASTITE SCREW
16	1	TWIN MOTOR RETENTION PLATE
17	1	EARTH STRIP FLAT (KV20,30 & 45)
18	2	MOTOR MOUNTING RING MK4
19	2	EARTH LEAD 270mm
20	2	MOTOR BYPASS 230V 1,000W
21	1PR	CARBON BRUSHES 230V 1,000W DAF & BP
22	2	MOTOR MOUNTING RING MK3
23	2	MOTOR GRILL
24	1	BLANKING PLATE LARGE
25	1	KV20-100/2 MOTOR PLATE
26	6	No8 x 1" PLASTITE SCREW
27	1	KV20-100 W/D RATING PLATE
28	4	No6 x 1" PLASTITE SCREW
29	2	No6 x 1/2" PLASTITE SCREW
30	1	TERMINAL BLOCK 3 WAY
31	1	FILTER TYPE 206
32	1	W/D VAC ROCKER SWITCH BLUE
33	5	No8 x 3/4" PLASTITE SCREW
34	1	980 x 4 x 6mm FOAM RUBBER SEAL
35	1	KERSTAR WET & DRY BLUE TRANSFER
36	1	BLANKING PLATE SMALL
37	1	TWIN MOTOR DIVIDER PLATE
38	2	No6 x 1" SELF TAP SCREW
39	1	TERMINAL BLOCK 230V 2 MOTOR PLASTIC HEAD

WIRING DIAGRAM



Kerstar

(UK) Ltd

OFFICE, SHOWROOMS & WORKS

Weddell Way, Brackmills Ind. Estate

NORTHAMPTON NN4 7HS

Tel: +44 (0)1604 760455

Fax: +44 (0)1604 701022

e-mail: sales@kerstar.co.uk

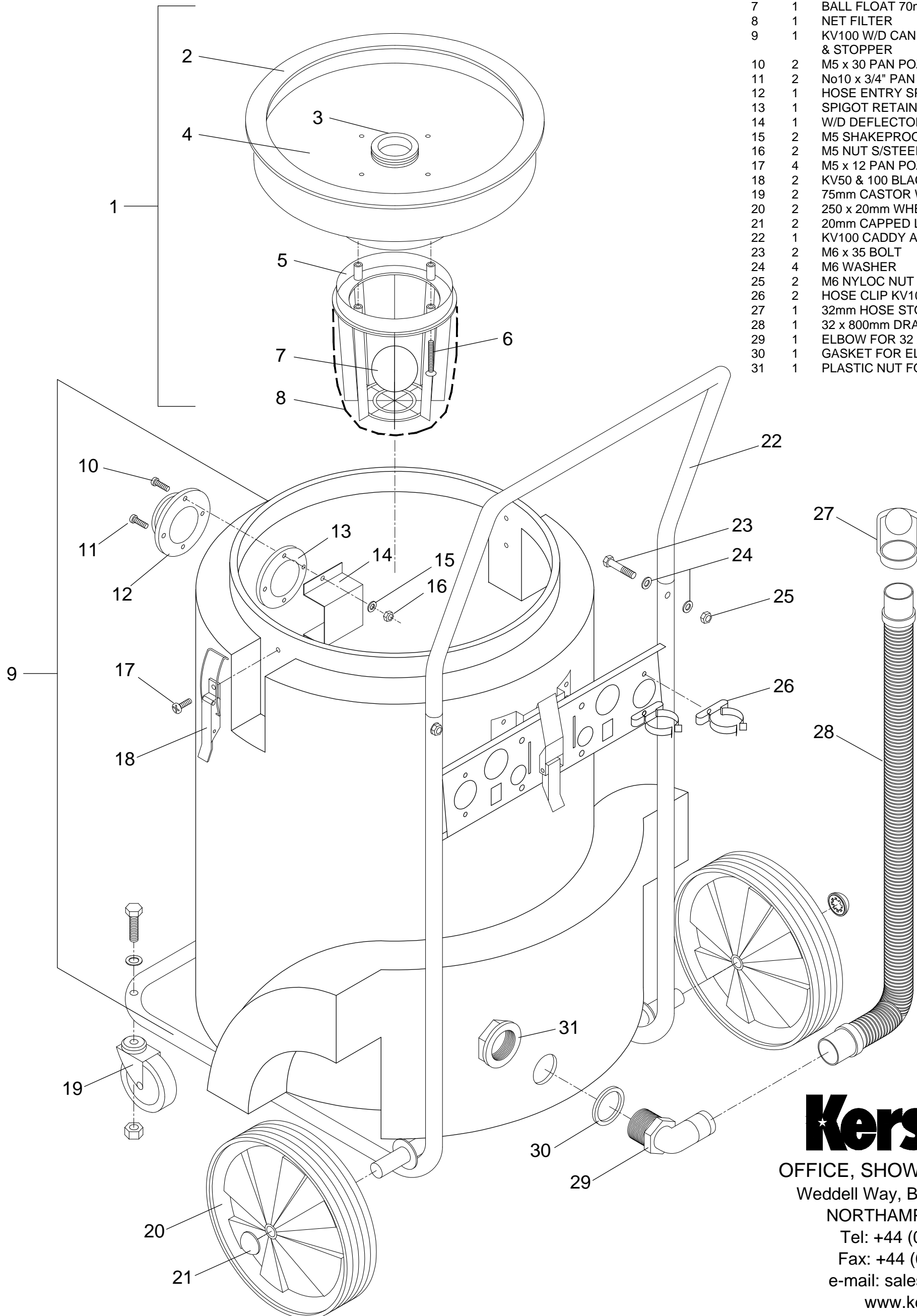
www.kerstar.co.uk

**KV 20, 25, 30, 45, 50 & 100/2 W/D
KSV 45/2C & KSV 45/2W MOTOR HEAD 230V**

<u>Item</u>	<u>Part No</u>	<u>Description</u>		
1	K36.07.01	KV 20/2 W/D Motor Head 230V & UK Plug		
1	K36.07.02	KV 25/2 W/D Motor Head 230V & UK Plug		
1	K36.07.03	KV 30/2 W/D Motor Head 230V & UK Plug		
1	K36.07.04	KV 45/2 W/D Motor Head 230V & UK Plug		
1	K36.07.05	KV 50/2 W/D Motor Head 230V & UK Plug		
1	K36.07.06	KV 100/2 W/D Motor Head 230V & UK Plug		
1	K36.07.07	KSV 45/2 C Motor Head 230V & UK Plug		
1	K36.07.08	KSV 45/2 W Motor Head 230V & UK Plug		
1	K36.07.20	KV 20/2 W/D Motor Head 230V & Europlug		
1	K36.07.21	KV 25/2 W/D Motor Head 230V & Europlug		
1	K36.07.22	KV 30/2 W/D Motor Head 230V & Europlug		
1	K36.07.23	KV 45/2 W/D Motor Head 230V & Europlug		
1	K36.07.24	KV 50/2 W/D Motor Head 230V & Europlug		
1	K36.07.25	KV 100/2 W/D Motor Head 230V & Europlug		
1	K36.07.26	KSV 45/2 C Motor Head 230V & Europlug		
1	K36.07.27	KSV 45/2 W Motor Head 230V & Europlug		
		Please State Model Number With Order		
2	K55.13.03	No6 x 5/8" Pan Pozi Plastite Screw		
3	K49.04.01	2 Part Handle		
4	K55.07.04	No4 x 3/4" Pan Pozi Self Tap Screw		
5	K49.04.05	Cable Clamp Set		
6*	K29.09.03	Cable Grommet		
7	K56.06.10	If Liquid Warning Label		
8	K56.08.81	Kerstar Logo Label Blue		
9*	K29.03.01	Cable/Plug Pack 10M x 1.5mm 3 Core With UK Plug		
10*	K29.03.02	Cable/Plug Pack 10M x 1.5mm 3 Core With Euro Plug		
11	K49.04.10	KV 20-100 Top Cover		
12	K56.06.42	Clip Here To Earth Bond Can Yellow Label		
13	K55.02.03	M4 x 12 Pan Pozi Screw		
14	K52.01.04	KV 20-100 Thermal Switch		
15	K55.14.03	No8 x 3/4" Pan Pozi Plastite Screw		
16	K49.04.35	Twin Motor Retention Plate		
17	K49.04.55	Earth Strip Flat (KV 20, 30 & 45)		
18*	K22.01.04	Motor Mounting Ring MK4		
19	K51.04.01	Earth Lead 270mm		
20*	K20.03.01	Motor Bypass 230V 1,000W		
21*	K21.01.01	Carbon Brushes 230V 1,000W DAF & BP		
22*	K22.01.03	Motor Mounting Ring MK3		
23	K49.04.50	Motor Grill		
24	K49.04.51	Blanking Plate Large		
25	K49.04.41	KV 20-100/2 Motor Plate		
26	K55.14.04	No8 x 1" Pan Pozi Plastite Screw		
27	K56.03.50	KV 20-100 W/D Rating Plate		
28	K55.13.05	No6 x 1" Pan Pozi Plastite Screw		
29	K55.13.02	No6 x 1/2" Pan Pozi Plastite Screw		
30	K51.02.02	Terminal Block 3 Way		
31	K52.03.01	Filter Type 206		
32*	K30.02.01	W/D Vac Rocker Switch Blue		
33	K55.14.03	No8 x 3/4" Pan Pozi Plastite Screw		
34	K49.04.56	980 x 4 x 6mm Foam Rubber Seal		
35	K56.09.25	Kerstar Wet & Dry Blue Transfer		
36	K49.04.52	Blanking Plate Small		
37	K49.04.54	Twin Motor Divider Plate		
38	K55.08.06	No6 x 1" Pan Pozi Self Tap Screw		
39	K51.02.05	Terminal Block 230V 2 Motor Plastic Head		

KV100/1 W/D & KV100/2 W/D CAN ASSEMBLY

ITEM No	QTY	DESCRIPTION
1	1	14" FLOAT ASSEMBLY
2	1	14" SEALING RING
3	1	SEAL FOR 70mm BALL FLOAT
4	1	14" FLOAT PLATE
5	1	FLOAT CAGE
6	4	No8 x 45mm SELF TAP SCREW S/STEEL
7	1	BALL FLOAT 70mm
8	1	NET FILTER
9	1	KV100 W/D CAN ASSEMBLY INC DRAIN HOSE & STOPPER
10	2	M5 x 30 PAN POZI S/STEEL SCREW
11	2	No10 x 3/4" PAN POZI PLASTITE SCREW
12	1	HOSE ENTRY SPIGOT OUTER
13	1	SPIGOT RETAINER FOR METAL CAN
14	1	W/D DEFLECTOR S/STEEL
15	2	M5 SHAKEPROOF WASHER S/STEEL
16	2	M5 NUT S/STEEL
17	4	M5 x 12 PAN POZI S/STEEL SCREW
18	2	KV50 & 100 BLACK CLIP
19	2	75mm CASTOR WITH NUT BOLT & WASHER
20	2	250 x 20mm WHEEL BLACK/BLUE
21	2	20mm CAPPED LOCK WASHER
22	1	KV100 CADDY ASSEMBLY
23	2	M6 x 35 BOLT
24	4	M6 WASHER
25	2	M6 NYLOC NUT
26	2	HOSE CLIP KV100
27	1	32mm HOSE STOPPER
28	1	32 x 800mm DRAIN HOSE
29	1	ELBOW FOR 32 x 800mm DRAIN HOSE
30	1	GASKET FOR ELBOW
31	1	PLASTIC NUT FOR DRAIN HOSE ELBOW



Kerstar (UK) Ltd
 OFFICE, SHOWROOMS & WORKS
 Weddell Way, Brackmills Ind. Estate
 NORTHAMPTON NN4 7HS
 Tel: +44 (0)1604 760455
 Fax: +44 (0)1604 701022
 e-mail: sales@kerstar.co.uk
 www.kerstar.co.uk

KV 100/1 W/D & KV 100/2 W/D CAN ASSEMBLY

Item	Part No	Description		
1*	K28.02.01	14" Float Assembly		
2*	K28.05.01	14" Sealing Ring		
3*	K28.08.02	Seal For 70mm Ball Float		
4	K28.08.30	14" Float Plate		
5*	K28.07.01	Float Cage		
6	K55.09.30	No8 x 1¾" Pan Pozi Self Tap Screw S/Steel		
7*	K28.08.01	Ball Float 70mm		
8*	K28.08.03	Net Filter		
9	K40.15.01	KV 100 W/D Can Assembly Inc Drain Hose & Stopper		
10	K55.03.56	M5 x 30 Pan Pozi Screw S/Steel		
11	K55.15.03	No10 x 3/4" Pan Pozi Plastite Screw		
12*	K15.07.03	Hose Entry Spigot Outer		
13*	K15.07.05	Spigot Retainer For Metal Can		
14	K15.07.14	W/D Deflector S/Steel		
15	K55.03.65	M5 Shakeproof Washer S/Steel		
16	K55.03.70	M5 Nut S/Steel		
17	K55.03.52	M5 x 12 Pan Pozi Screw S/Steel		
18	K44.01.06	KV 50 & 100 Black Clip		
19	K43.01.06	75mm Castor With Nut, Bolt & Washer		
20	K43.02.09	250 x 20mm Wheel Black/Blue		
21	K55.21.04	20mm Capped Lock Washer		
22	K42.04.01	KV 100 Caddy Assembly		
23	K55.04.29	M6 x 35 Bolt		
24	K55.04.40	M6 Washer		
25	K55.04.51	M6 Nyloc Nut		
26	K46.02.09	Hose Clip Kv 100		
27	K46.01.02	32mm Hose Stopper		
28	K46.01.01	32 x 800mm Drain Hose		
29	K46.01.03	Elbow For 32 x 800mm Drain Hose		
30	K46.01.04	Gasket For Elbow		
31	K46.01.05	Plastic Nut For Drain Hose Elbow		