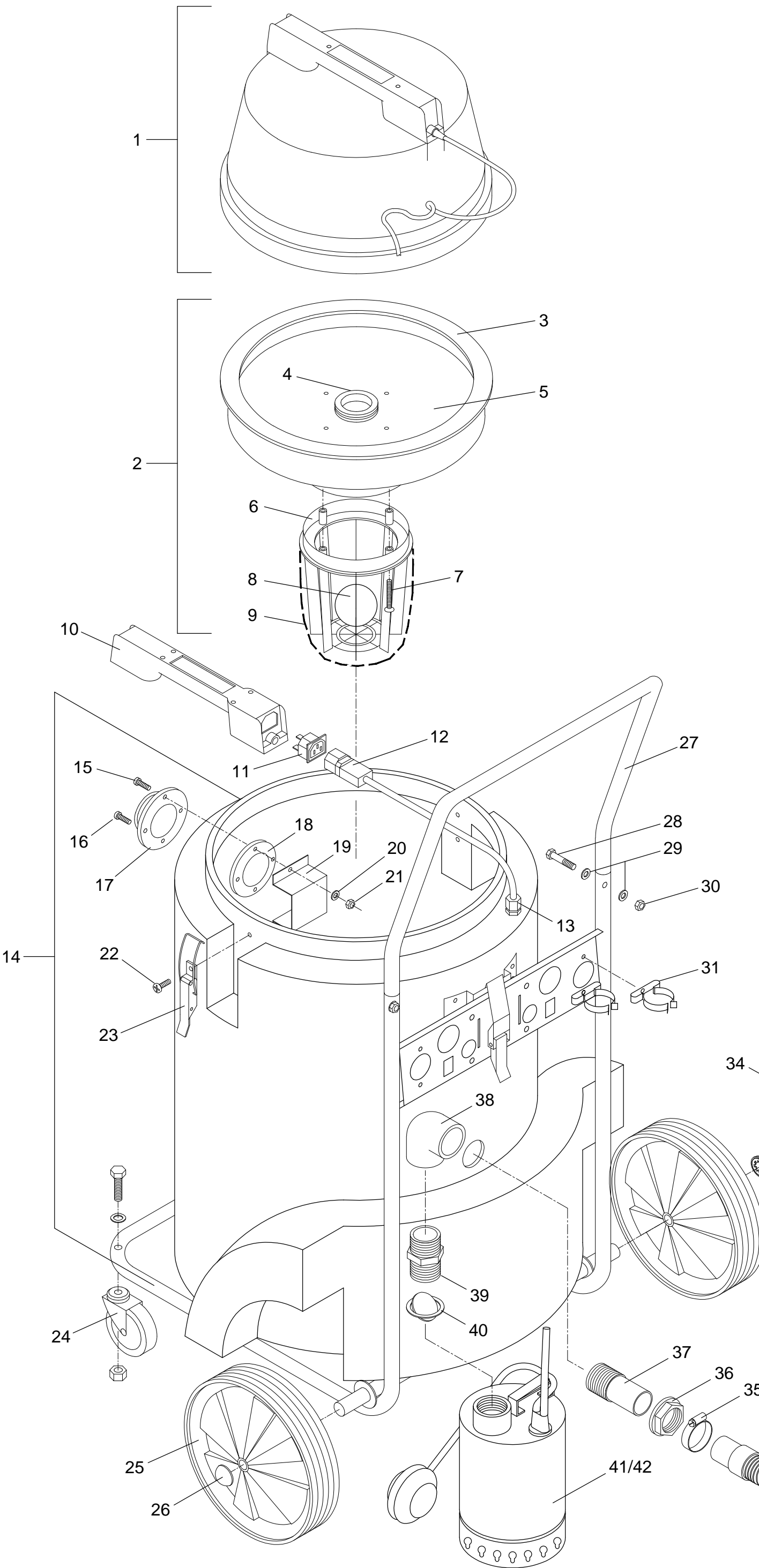


KV100/1 WP & KV100/2 WP

ITEM No	QTY	DESCRIPTION
1	1	KV100/1 WP MOTOR HEAD 230V
	1	KV100/1 WP MOTOR HEAD 110V
	1	KV100/2 WP MOTOR HEAD 230V
	1	KV100/2 WP MOTOR HEAD 110V
2	1	14" FLOAT ASSEMBLY
3	1	14" SEALING RING
4	1	SEAL FOR 70mm BALL FLOAT
5	1	14" FLOAT PLATE
6	1	FLOAT CAGE
7	4	No8 x 1-3/4" PAN POZI SELF TAP SCREW S/STEEL
8	1	BALL FLOAT 70mm
9	1	NET FILTER
10	1	2 PART HANDLE FOR KV100WP
11	1	OUTLET SOCKET FOR PUMP
12	1	PLUG FOR PUMP
13	1	CABLE GROMMET ASSEMBLY FOR WP & HWE
14	1	KV100 WP 230V CAN ASSEMBLY EXCLUDING PUMP, PUMP FITTINGS & DISCHARGE HOSES
14	1	KV100 WP 110V CAN ASSEMBLY EXCLUDING PUMP, PUMP FITTINGS & DISCHARGE HOSES
15	2	M5 x 30 PAN POZI SCREW S/STEEL
16	2	No10 x 3/4" PAN POZI PLASTITE SCREW
17	1	HOSE ENTRY SPIGOT OUTER
18	1	SPIGOT RETAINER FOR METAL CAN
19	1	W/D DEFLECTOR S/STEEL
20	2	M5 SHAKEPROOF WASHER S/STEEL
21	2	M5 NUT S/STEEL
22	4	M5 x 12 PAN POZI SCREW S/STEEL
23	2	KV50 & 100 BLACK CLIP
24	2	75mm CASTOR WITH NUT BOLT & WASHER
25	2	250 x 20mm WHEEL BLACK/BLUE
26	2	20mm CAPPED LOCK WASHER
27	1	KV100 CADDY ASSEMBLY
28	2	M6 x 35 BOLT
29	4	M6 WASHER
30	2	M6 NYLOC NUT
31	2	HOSE CLIP KV100
32	1	PUMP DISCHARGE HOSE COUPLER
33	1	38mm x 10M SEE THROUGH DISCHARGE HOSE ASSEMBLY
34	1	38 x 500mm SEE THROUGH HOSE ASSEMBLY
35	1	35-50mm HOSE CLIP
36	1	PLASTIC NUT FOR DRAIN HOSE ELBOW
37	1	HOSE OUTLET PIPE FOR WP PUMP
38	1	PLASTIC ELBOW FOR WP PUMP
39	1	PLASTIC NIPPLE FOR WP PUMP
40	1	NON RETURN VALVE (NRV)
41	1	PUMP (INC NRV) FOR WP MODELS 230V 700W
42	1	PUMP (INC NRV) FOR WP MODELS 110V 500W



Kerstar (UK) Ltd
 OFFICE, SHOWROOMS & WORKS
 Weddell Way, Brackmills Ind. Estate
 NORTHAMPTON NN4 7HS
 Tel: +44 (0)1604 760455
 Fax: +44 (0)1604 701022
 e-mail: sales@kerstar.co.uk
 www.kerstar.co.uk