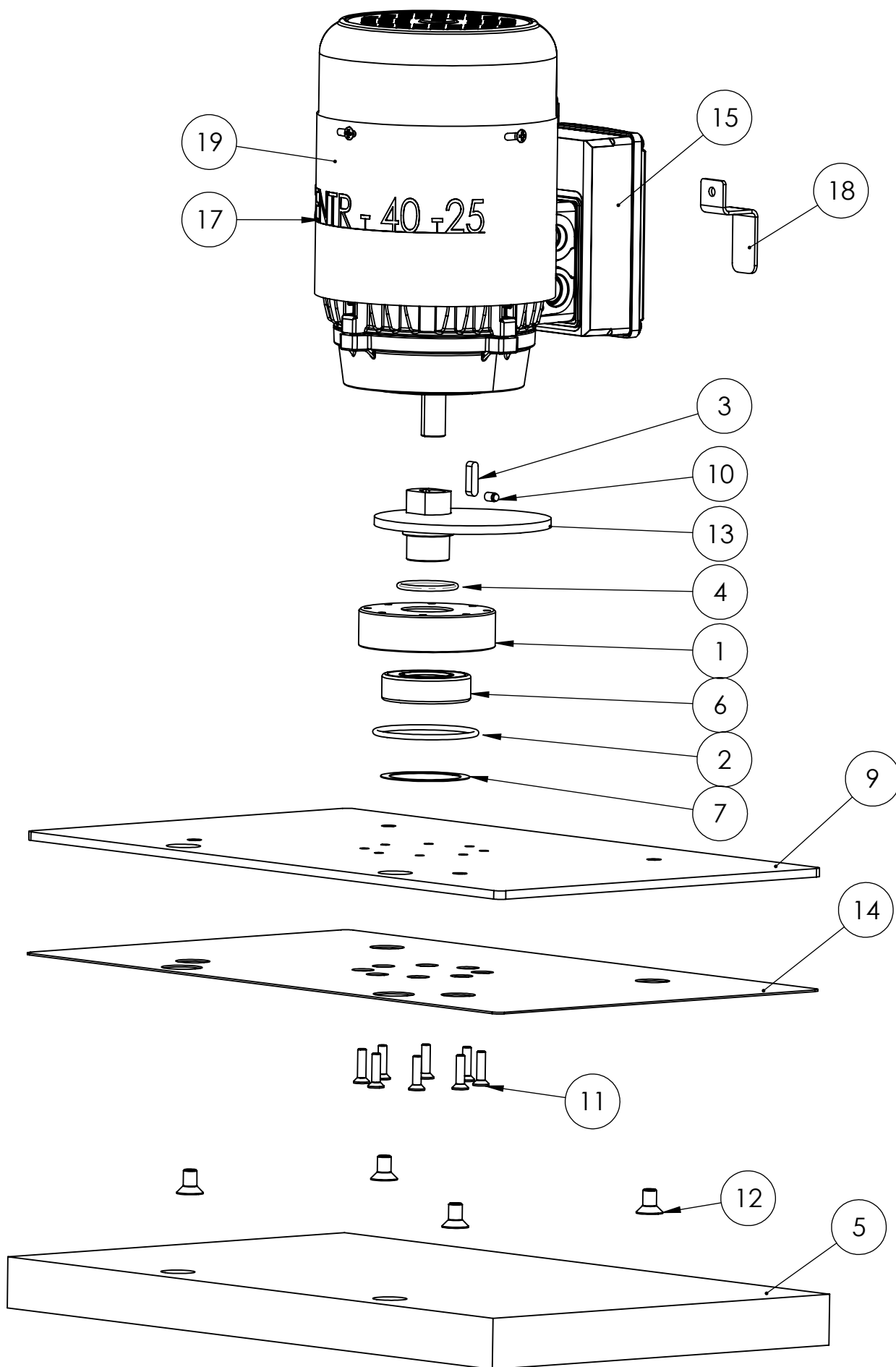
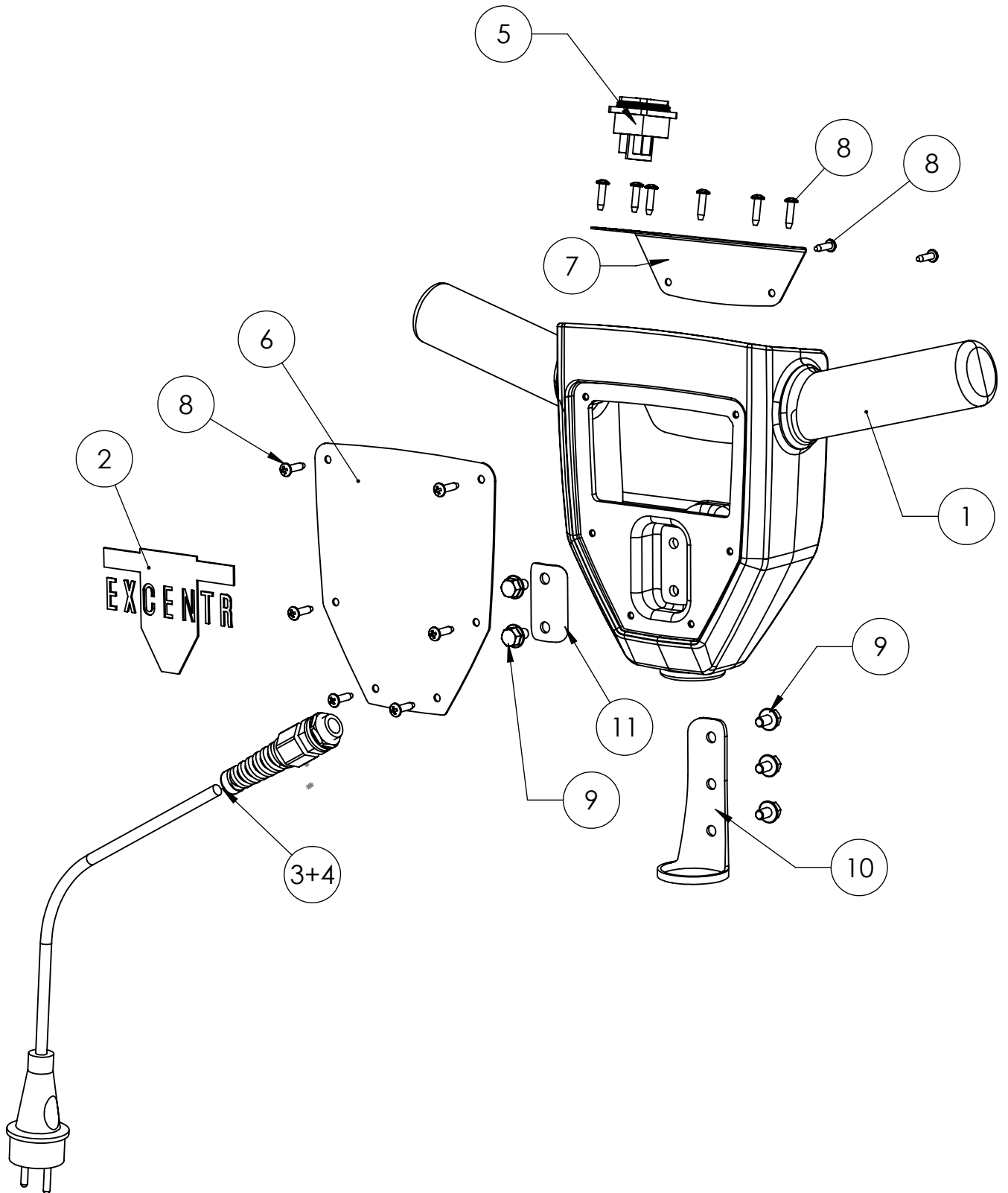


| ITEM NO. | EXC. NO. | DESCRIPTION | Description ENG | QTY. |
|----------|----------|-------------------------------|---------------------------------|------|
| 1 | SUB | MOTOR+EXCENTRIEK+VOETPLAAT | MOTOR + ECCENTRIC + SCRUB PLATE | 1 |
| 2 | SUB | HANDVAT 230VAC - 4025 | HANDLE WITH COMPONENTS | 1 |
| 3 | 610006 | WIELDOP | HUB CUP GREY G48 | 2 |
| 4 | 610005 | WIEL Ø200X42 (RES) | WHEEL Ø200X42 | 2 |
| 5 | 650004 | TRILRUBBER M8 D=40 L=40 | VIBRATION DAMPER M8 40X40 | 4 |
| 6 | 608011 | STERKNOP Ø40 M8 | STAR KNOB Ø40 M8 | 2 |
| 7 | 608002 | HANDVAT ZWART | U-HANDLES BLACK | 1 |
| 8 | 801001 | VEER TBV VERSTELLING 5535 43 | SPRING FOR HEIGHT ADJUSTMENT | 1 |
| 9 | X10518 | T-STUK SLANGTULE Ø6 | TEE FOR HOSE Ø6 MALE | 1 |
| 10 | 800048 | LEIDINGKLEM | TUBE CLAMP Ø7.9-12.7MM | 5 |
| 11 | 210045 | 90° BOCHT SLANGTULE Ø6 | KNEE FOR HOSE Ø6 MALE | 3 |
| 12 | 210003 | SLANGTULE Ø6 MM 1/8" BUI | HOSE PILLAR Ø6MM - G1/8" FEMALE | 1 |
| 13 | 210013 | RECTUS NIPPEL TYPE 21 1/8" BU | RECTUS NIPPLE TYPE 21 G1/8" | 1 |
| 14 | X10793 | KNIE G1/8" BIN-BIN | KNEE G1/8" 2X FEMALE | 1 |
| 15 | 210028 | SLANG Ø8X1 (3) | HOSE FOR WATER DRIP (3) | 1 |
| 16 | 608009 | DOORVOERTULE HV 1402 | GROMMET HV1402 | 1 |
| 17 | 800189 | SINUSRING Ø17XØ8.5 | DISC SPRING Ø17XØ8.5 | 2 |
| 18 | 800144 | SLUITRING M6 | WASHER M6 | 2 |
| 19 | 800067 | SLUITRING M8 PA | WASHER M8 PA | 4 |
| 20 | 800023 | SLUITRING M8 | WASHER M8 | 17 |
| 21 | 800011 | SLUITRING M10 | WASHER M10 | 1 |
| 22 | 800185 | SLUITRING M14 PA | WASHER M14 PA | 2 |
| 23 | 800021 | IMBUSSCHROEF CK M8X20 | SOCKET CAP SCREWM8X20 | 2 |
| 24 | 800041 | BOUT ZK M8X12 | HEX HEAD BOLT M8X12 | 8 |
| 25 | 800214 | BOUT ZK M10X60 | HEX BOLT M10X60 | 3 |
| 26 | 800049 | MOER M8 | NUT M8 | 4 |
| 27 | 800036 | BORGMOER M5 | LOCK NUT M5 | 9 |
| 28 | 800063 | BORGMOER M6 | LOCK NUT M6 | 4 |
| 29 | 800022 | BORGMOER M8 | LOCK NUT M8 | 5 |
| 30 | 800012 | BORGMOER M10 | LOCK NUT M10 | 3 |
| 31 | 800190 | BOUT MET FLENS ZK M6X12 | HEX FLANGE BOLT M6X12 | 10 |
| 32 | 801531 | PASSCHROEF IMBUS M6X12-Ø8 | SHOULDER SCREW M6X12-Ø8 | 2 |
| 33 | 800133 | IMBUSSCHROEF BK M5X12 | SOCKET BUTTON HEAD SCREW M5X12 | 3 |
| 34 | 800084 | IMBUSSCHROEF BK M8X55 | BUTTON HEAD SCREW M8X55 | 1 |
| 35 | 800119 | IMBUSSCHROEF BK M5X16 | SOCKET BUTTON HEAD SCREW M5X16 | 6 |
| 36 | 800040 | CARROSSERIERING M10 | FENDER WASHER M10 | 2 |
| 37 | 800111 | CARROSSERIERING M5 | FENDER WASHER M5 | 3 |
| 38 | X10785 | BUMPER 4025 | WALL PROTECTION BUMPER 40-25 | 1 |
| 39 | 540044 | 40/29-45 BF 43sh M8X15/M8i | WAISTED BOBBIN | 4 |
| 40 | 650031 | ONDERPLAAT GEWICHTEN 4025 | WEIGHT PROTECTION PLATE 40-25 | 2 |
| 41 | 705113 | STEEL 40-25 230VAC | CONTROL BAR 40-25 230VAC | 1 |
| 42 | 706030 | BEVESTIGINGSSTUK HANDVAT | MOUNTING PART FOR TREE | 1 |
| 43 | 800086 | TAPEIND Ø12 M8 L=70 | DOUBLE THREADED ROD M8 L=67 | 2 |
| 44 | 707012 | AS HOOGTEVERSTELLING 5535 43 | AXIS FOR HEIGHT ADJUSTMENT | 1 |
| 45 | 607002 | VEERPROP BOVEN | SPRING HOLDER UP | 1 |
| 46 | X10628 | SCHARNIERBUS STEEL | ROUND SPACER FOR HINGE | 1 |
| 47 | 707057 | WIELAS Ø17 | WHEEL AXLE Ø17 | 2 |
| 48 | X10741 | TUSSENBUS FRAME 4025 | RUND SPACER FOR FRAME | 1 |
| 49 | 705108 | MOTORPLAAT 40-25 (36-230V) | MOTOR MOUNTING PLATE | 1 |
| 50 | 705111 | ZIJPLAAT BRUG R 4025 | SIDE PLATE BRIDGE (R) | 1 |
| 51 | 705112 | ZIJPLAAT BRUG L 4025 | SIDE PLATE BRIDGE (L) | 1 |
| 52 | 705110 | ACHTERPLAAT FRAME | BACK PLATE BRIDGE | 1 |
| 53 | 705109 | HOEKPROFIEL MOTORPLAAT | BRACKET FOR MOTOR PLATE | 2 |
| 54 | 206013 | MASSABLOK 10 KG 4025 | MASS BLOCK 10KG | 2 |
| 55 | X10680 | SNOER SCHAKELAAR-MOTOR | WIRE FOR SCHALTER - MOTOR | 1 |
| 56 | 210028 | SLANG Ø8X1 (1) | HOSE FOR WATER DRIP (1) | 2 |
| 57 | 210028 | SLANG Ø8X1 (2) | HOSE FOR WATER DRIP (2) | 1 |
| 58 | X | HAAKSE PLUG C13 | ANGLE PLUG C13 | 1 |

MOTOR + EXCENTRIEK + VOETPLAAT



| ITEM NO. | EXC. NO. | DESCRIPTION | Description ENG | QTY. |
|----------|----------|---------------------------|------------------------------|------|
| 1 | 707018 | LAGERHUIS KLEINE MACHINES | BEARING HOUSE SMALL | 1 |
| 2 | 800054 | O-RING NBR ZW 36624 56X3 | O-RING Ø56X3 | 1 |
| 3 | 540011 | VLAKKE INLEGSPIE 30X6X6 | AXLE KEY 30X6X6 | 1 |
| 4 | 800056 | O-RING NBR ZW 36624 30X3 | O-RING Ø30X3 | 1 |
| 5 | 205720 | PAD VOOR 4025 ROOD | RED PAD 40-25 | 1 |
| 6 | 801514 | KOGELLAGER | GROOVE BALL BEARING | 1 |
| 7 | 801515 | GOLFRING 52X42X0.5 | WAVE SPRING WASHER Ø52 | 1 |
| 8 | 705038 | RING Ø24X14X3 | WASHER Ø24X14X3 | 1 |
| 9 | 705107 | VOETPLAAT 42-25 | FOOD PLATE 40-25 | 1 |
| 10 | 800104 | STELSCHROEF M6X8 | SOCKET SET SCREW M6X8 | 1 |
| 11 | 800103 | IMBUSSCHROEF VK M5X20 | COUNTERSUNK HEAD SCREW M5X20 | 8 |
| 12 | 800096 | IMBUSSCHROEF VK M8X14 | COUNTERSUNK HEAD SCREW M8X14 | 4 |
| 13 | 902012 | EXCENTRIEK 4025 GELAST | ECCENTRIC 40-25 WELDED | 1 |
| 14 | 205404,2 | PADHOUDER 4225 | PAD FIXATION TAPE | 1 |
| 15 | 540041 | MOTOR 0.55kW 230VAC | MOTOR 0.55KW 230VAC | 1 |
| 16 | X | C14 WALL SOCKET | C14 WALL SOCKET | 1 |
| 17 | 901020 | GEBOGEN STICKER 4025 | STICKER 4025 | 1 |
| 18 | X11148 | BORGBEUGEL HAAKSESTEKKER | LOCKING PLATE FOR PLUG C13 | 1 |
| 19 | X10936 | MOTORKOELKAP 550 W | MOTOR COOL CAP | 1 |



| ITEM NO. | EXC. NO. | DESCRIPTION | Description ENG | QTY. |
|----------|----------|-------------------------------|--------------------------------|------|
| 1 | 609013 | HANDVAT DAILY 35 | HANDLE HOUSE DAILY 35 | 1 |
| 2 | 901004 | STICKER LOGO GROOT | STICKER IMAGE LOGO BIG | 1 |
| 3 | 608017 | PAKBUS M16 COMPLEET | CABLE GLAND M16 | 1 |
| 4 | 530034 | STEKKER + SNOER | PLUG WITH CORD | 1 |
| 5 | 520002 | SCHAKELAAR AAN/UIT 230VAC 16A | POWER SWITCH ON/OFF 230VAC 16A | 1 |
| 6 | 706029 | AFDEKPLAAT HANDVAT | COVER PLATE HANDLE HOUSE | 1 |
| 7 | 706037 | PANEELPLAAT 4025 | CONTROL PANEL PLATE | 1 |
| 8 | 800171 | SCHROEF KNSTST Ø4 L=16 | SCREW FOR PLASTIC Ø4X16 | 14 |
| 9 | 800167 | BOUW MET FLENS ZK M6X10 | HEXAGON FLANGE BOLT M6X10 | 5 |
| 10 | 705106 | HANDVATBEVESTIGINGSPLAAT 2 | MOUNTING PIECE FOR HANDLE 1 | 1 |
| 11 | 705105 | HANDVATBEVESTIGINGSPLAAT 1 | MOUNTING PIECE FOR HANDLE 2 | 1 |