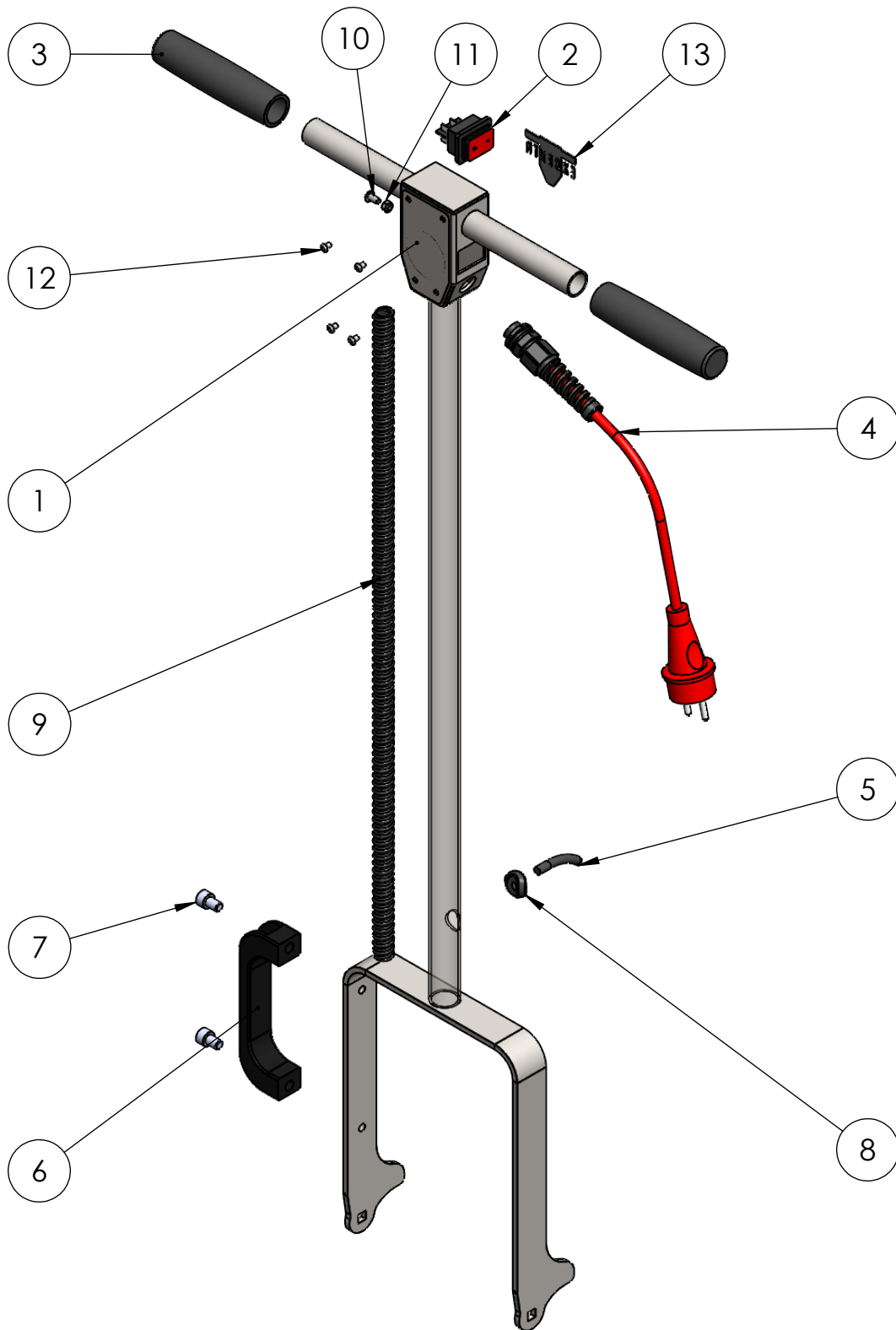
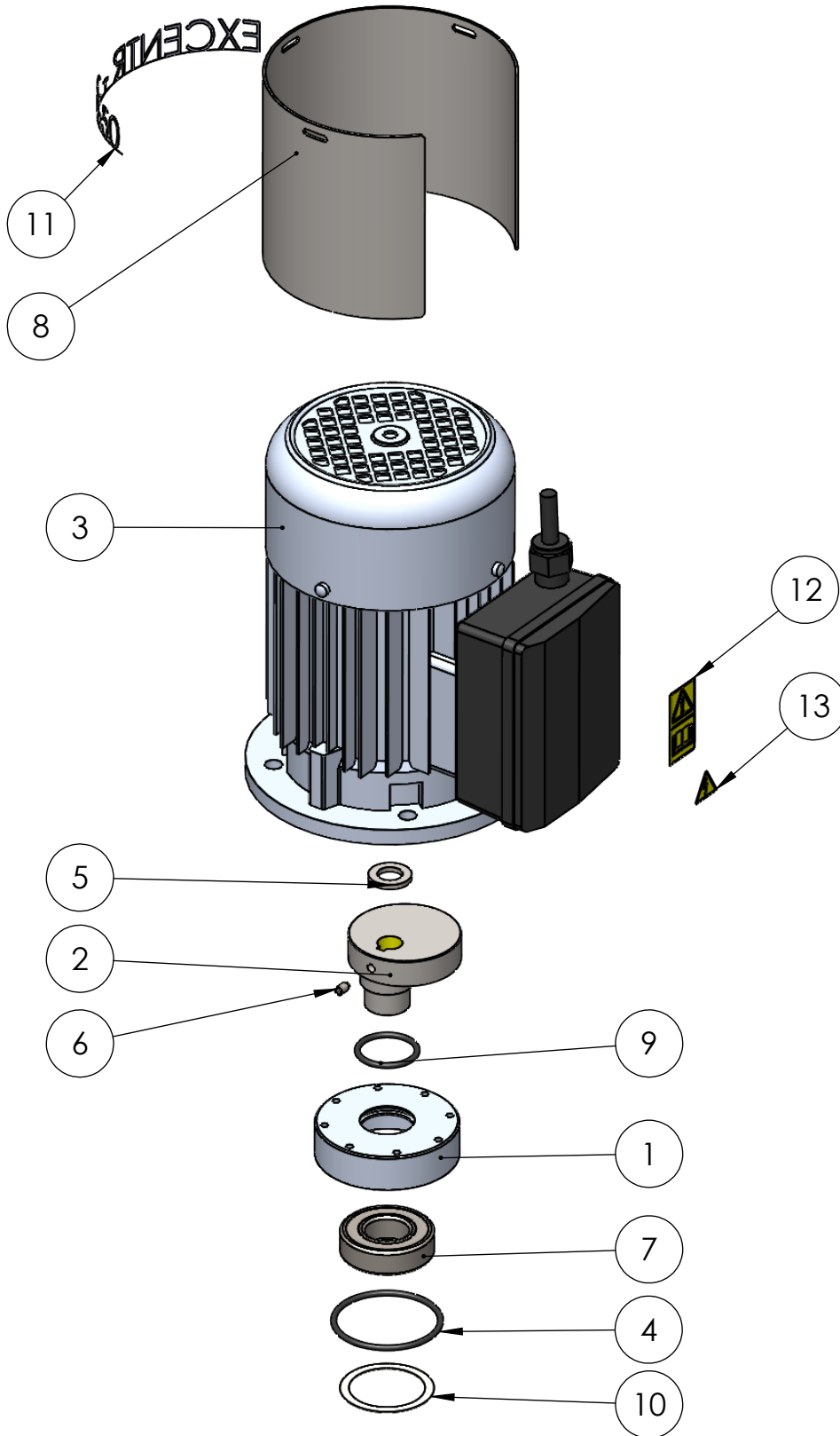


POS	Description	Description ENG	EXC. NO.	QTY.
1	MOTORPLAAT 3050	MOTOR PLATE 3050	705033	1
2	EXCENTRIEK+MOTOR 3050 230VAC	ECCENTRIC+MOTOR 3050	540007	1
3	TAILLE DEMPER 30/19.5-41 BF 43sh	WAISTED BOBBIN	650006	4
4	VOETPLAAT 3050	SCRUB PLATE 3050	705035	1
5	STOOTSTRIP ACHTER 3050	PROTECTION STRIP BEHIND	607007	1
6	STOOTSTRIP SCHUIN 3050	PROTECTION STRIP SLANTED	607008	2
7	TRILDEMPER Ø30X45 M8	VIBRATION DAMPER Ø30X45 M8	650005	4
8	HOEKPROFIEL L 3020 3050	BRACKET FOR MOTORPLATE L	705034	2
9	HANDVAT ZWART	U-HANDLES BLACK	608002	1
10	STOOTSTRIP ZIJKANT 3050	PROTECTION STRIP SIDE	607010	2
11	ASSEMBLY DUWBOOM 3020 3050	ASSEMBLY CONTROL TREE 3020 3050	705051	1
12	SLUITRING M10 PA	WASHER M10 PA	800110	2
13	SLUITRING M8	WASHER M8	800023	18
14	SLOTBOUW M8X25	CARRIAGE BOLT M8X25	800052	6
15	BORGMOER M8	LOCK NUT M8	800022	6
16	IMBUSSCHROEF CK M8X12	SOCKET CAP SCREWM8X20	800070	2
17	IMBUSSCHROEF VK M4X16	COUNTERSUNK HEAD SCREW M4X16	800061	17
18	IMBUSSCHROEF VK M5X20	COUNTERSUNK HEAD SCREW M5X20	800183	8
19	IMBUSSCHROEF CK M8X20	SOCKET CAP SCREWM8X20	800070	2
20	MOER M8	NUT M8	800049	16
21	IMBUSSCHROEF VK M8X14	COUNTERSUNK HEAD SCREW M8X14	800053	4
22	PADHOUDER 3050	PAD HOLDER TAPE 3050	705035	1
23	TYPEPLAAT 30-50	TYPE PLATE 30-50	901015	1
24	VERLENGSNOER 15 METER	EXTENSION CABLE 15M	530032	1
25	RED PAD (30-50)	RED PAD (30-50)	205410	1
26	KARTONNEN DOOS 30-50	CARDBOARD BOX 30-50	900007	1
27	LASWERKZAAMHEDEN 30-20/30-50	WELDING WORK 30-20/30-50	902007	1
28	PARELSTRALEN DUWBEUGEL 30-20/30-50	BEAD BLASTING PUSHING BAR 30-20/30-50	902101	1
29	MONTAGE 30-20/30-50	ASSEMBLY WORK 30-20/30-50	902001	1



ITEM NO.	EXC. NO.	Description	Description ENG	QTY
1	705086	L DUWBOOM 3020 3050	WELD ASSEMBLY CONTOL TREE	1
2	520002	SCHAKELAAR AAN/UIT 230VAC 16A	POWER SWITCH ON/OFF 230VAC 16A	1
3	608004	HANDVAT Ø22	HANDLE Ø22	2
4	530034	STECKER + SNOER + PAKBUS	PLUG WITH CORD AND CABLE GLAND	1
5	NVT	SNOER SCHAKELAAR-MOTOR		1
6	608002	HANDVAT ZWART	U-HANDLES BLACK	1
7	800070	IMBUSSCHROEF CK M8X12	SOCKET CAP SCREWM8X20	2
8	608009	DOORVOERTULE HV 1402	CABLE GROMMET HV1402	1
9	X10023	VINILFLEX N Ø12	PROTECTION HOSE Ø12	1
10	800020	IMBUSSCHROEF BK M5X8	BUTTON HEAD SCREW M5X8	1
11	800063	BORGMOER M5	LOCK NUT M5	1
12	800093	IMBUSSCHROEF BK M4X06	BUTTON HEAD SCREW M4X6	4
13	901003	STICKER LOGO KLEIN	STICKER IMAGE LOGO SMALL	1



POS	Description	Description ENG	EXC. NO.	QTY.
1	LAGERHUIS KLEINE MACHINES	BEARING HOUSE SMALL	707018	1
2	EXCENTRIEK MASSADEEL 3050	ECCENTRIC MASS PART 3050	707017	1
3	MOTOR 037KW 230VAC	MOTOR 0.37KW 230VAC	540008	1
4	O-RING NBR ZW 36624 56X3	O-RING Ø56X3	800054	1
5	RING Ø24X14X3	WASHER Ø25X14X3	705038	1
6	STELSCHROEF M6X8	SOCKET SET SCREW M6X8	800104	1
7	KOGELLAGER	GROOVE BALL BEARING	801514	1
8	MOTORKOELKAP 0,375 KW	MOTOR COOLING CAP	705039	1
9	O-RING NBR ZW 36624 30X3	O-RING Ø30X3	800056	1
10	GOLFRING 52X42X0.5	WAVE SPRING WASHER Ø52	801515	1
11	GEBOGEN STICKER 3050	BENDED STICKER 3020	901005	1
12	STICKER HANDBOEK	STICKER MANUAL	901006	1
13	WAARSCHUWINGSSTICKER EL. SPANNING	HIGH VOLTAGE STICKER	901007	1