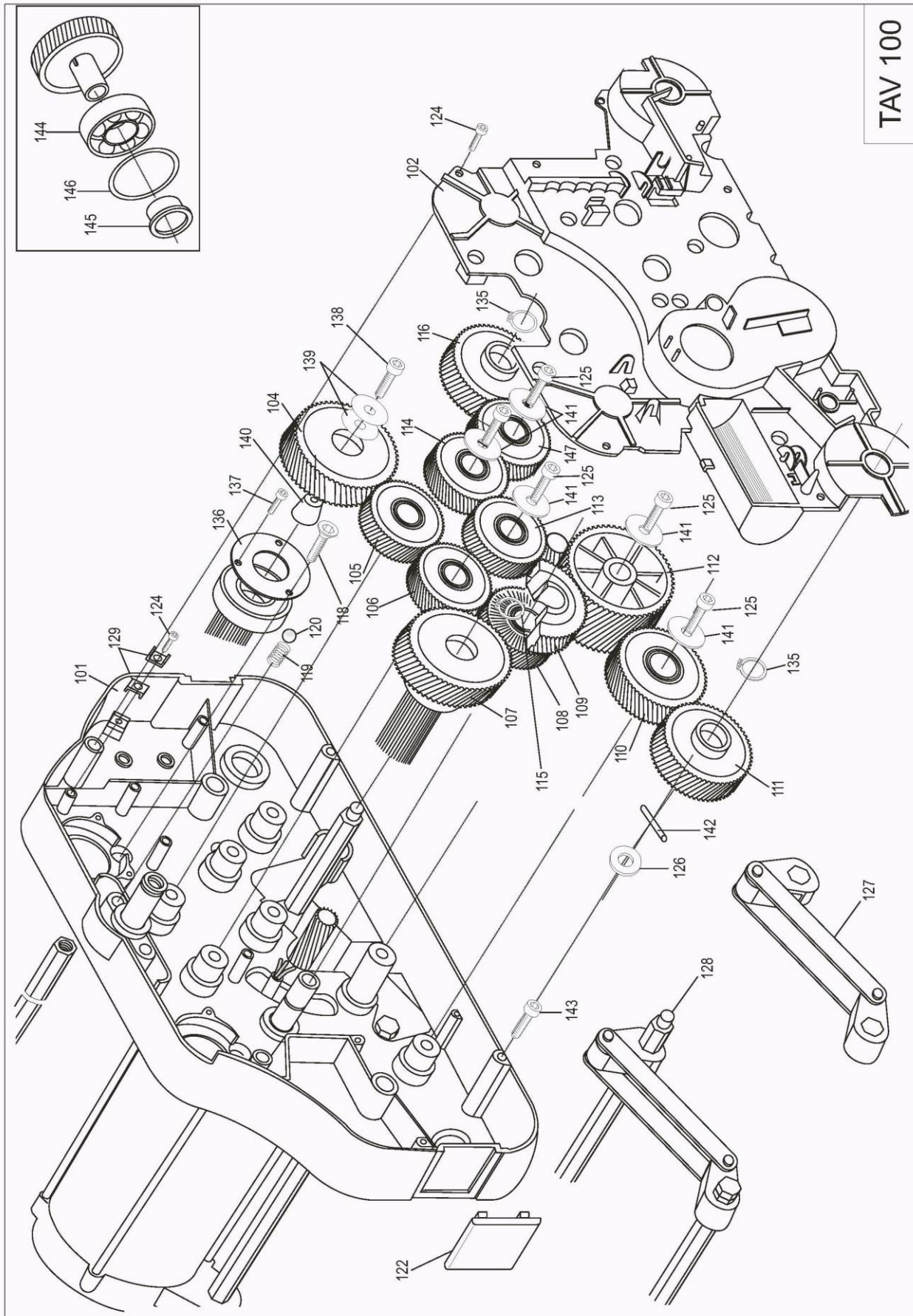


**Table 100 072016**

**Model 420**



**Table 100 072016**

**Model 420**

| Pos. | Article Code | Description                                   |  |
|------|--------------|---|--|
| 101  | 18.10.15.000 | MAIN SIDE ELEMENT W/ BUSH 340-420-620-350-550 |  |
| 102  | 13.05.20.000 | INSIDE SUMP BLACK COMPLETE                    |  |
| 104  | 06.09.02.000 | GEAR RIGHT HS METAL MOTOR CYL                 |  |
| 105  | 05.44.02.000 | GEAR W/B.BEARING                              |  |
| 106  | 06.44.02.000 | GEAR W/B BEARING                              |  |
| 107  | 05.09.02.000 | GEAR LEFT H.S.METAL MOTOR CYL.                |  |
| 108  | 05.46.02.000 | GEAR WITH LOW CLUTCH NEW                      |  |
| 109  | 06.80.02.000 | GEAR HIGH CLUTCH W/BEARING                    |  |
| 110  | 06.50.02.000 | GEAR W/B BEARING                              |  |
| 111  | 05.42.02.000 | GEAR LEFT H.BRUSH(NEW SERIES)                 |  |
| 112  | 05.80.02.000 | GEAR 340-420-620 W/NO 2 B.BEAR                |  |
| 113  | 05.70.03.000 | GEAR W/B.BEARING                              |  |
| 114  | 06.40.02.000 | GEAR W/B.BEARING                              |  |
| 115  | 11.32.00.000 | CIRCLIP D.14                                  |  |
| 116  | 06.42.02.000 | GEAR RIGHT HS.BRUSH-NEW SERIES                |  |
| 118  | 11.12.01.000 | SOCKET HEAD SCREW TPSCE 8X16 (BITT)           |  |
| 119  | 10.02.00.000 | SPRING LATCH SPRING                           |  |
| 120  | 03.12.00.000 | SPRING LATCH BALL                             |  |
| 122  | 13.11.00.000 | BUMPER FOR MAIN FRAME                         |  |
| 124  | 11.04.00.000 | SCREW T.T. 5X10                               |  |
| 125  | 11.06.00.000 | SCREW T.T. 5X12                               |  |
| 126  | 11.27.00.000 | FLAT WASHER                                   |  |
| 127  | 18.08.01.000 | WHEEL LEVER                                   |  |
| 128  | 01.20.02.000 | SHAFT W/ WHEEL LEVER 420 - 350                |  |
| 128  | 18.08.01.000 | WHEEL LEVER                                   |  |
| 129  | 11.39.01.000 | TERMINAL CONTACT                              |  |
| 135  | 11.34.00.000 | CIRCLIP D.20                                  |  |
| 136  | 02.06.00.000 | WASHER PUSHING BEARING                        |  |
| 137  | 11.01.00.000 | SCREW TC 3X8                                  |  |
| 138  | 11.10.00.000 | SOCKET HEAD SCREW TCCE 4X40                   |  |

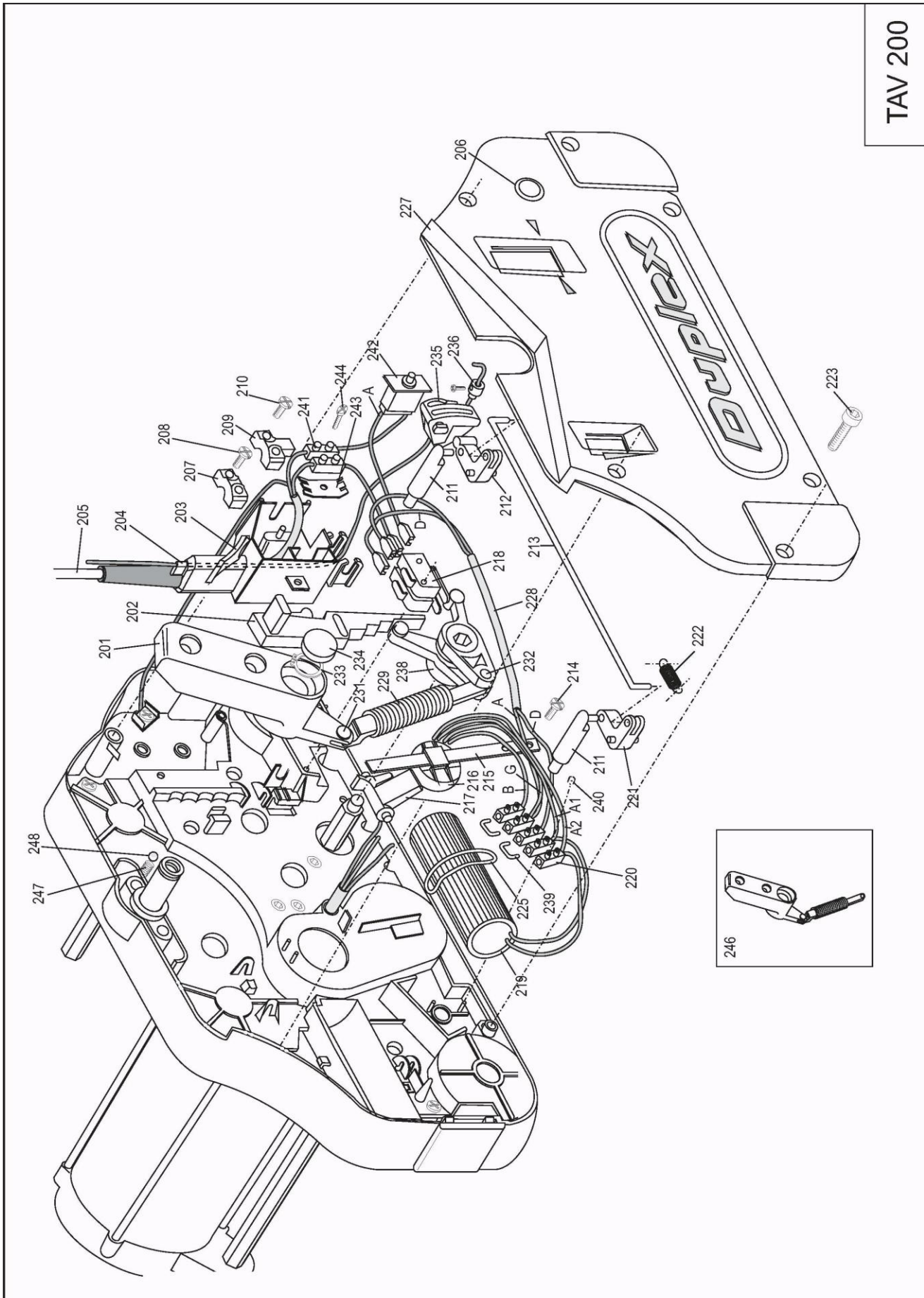
**Table 100 072016****Model 420**

| Pos. | Article Code | Description                    |  |
|------|--------------|--------------------------------|--|
| 139  | 11.44.00.000 | WASHER FOR GEAR                |  |
| 140  | 11.45.00.000 | TAPERED SCREW NUT/BRASS        |  |
| 141  | 11.51.00.000 | WASHER LOCKING GEARS           |  |
| 142  | 11.37.00.000 | CYLINDRICAL PLUG 6X30          |  |
| 143  | 11.09.01.000 | SOCKET HEAD SCREW TCCE 6X16    |  |
| 144  | 03.19.50.000 | BEARING 60052RS MAIN S/ELEMEN. |  |
| 145  | 04.35.00.000 | PLASTIC BUSH FOR S.STEEL BEAR. |  |
| 146  | 04.36.00.000 | RUBBER SEAL                    |  |
| 147  | 05.70.02.000 | GEAR W/B BEARING               |  |

**Table 200 072016**

**Model 420**

TAV 200



**Table 200 072016**

**Model 420**

| Pos. | Article Code | Description   |  |
|------|--------------|---|--|
| 201  | 18.03.10.000 | ARTICULATED HANDLE SUPPORT BL.                            |  |
| 202  | 14.08.00.000 | ADJUSTMENT SLIDER   |  |
| 203  | 14.19.00.000 | FAIRLEAD SUPPORT  |  |
| 204  | 04.09.00.000 | FAIRLEAD  |  |
| 205  | 08.05.04.000 | CABLE AND PLUG (UK 3 PIN)                                 |  |
| 206  | 08.09.00.000 | RUBBER SEAL   |  |
| 207  | 14.20.00.000 | FAIRLEAD STAY   |  |
| 208  | 11.02.00.000 | TC SCREW 4,2X13 ZINC                                      |  |
| 209  | 14.21.00.000 | CABLE STAY  |  |
| 210  | 11.03.00.000 | TC SCREW 4,2X16 ZINC                                      |  |
| 211  | 14.02.66.777 | PLASTIC PISTON  |  |
| 212  | 14.00.00.000 | LONG LEVER  |  |
| 213  | 21.06.01.000 | BOLT FOR FLUID CONTROL LEVERS                             |  |
| 214  | 11.71.00.000 | SCREW M4x10 CROSS ZN                                      |  |
| 214  | 11.02.00.000 | TC SCREW 4,2X13 ZINC                                      |  |
| 215  | 20.04.01.000 | CLUTCH LEAF SPRING  |  |
| 216  | 14.04.00.000 | CLUTCH FORC   |  |
| 217  | 14.05.00.000 | CLUTCH LEVER  |  |
| 218  | 08.13.00.000 | MICROSWITCH   |  |
| 219  | 08.01.00.000 | 16 MF. CONDENSER 340-420-350 220V - 50HZ                  |  |
| 219  | 08.03.00.000 | CONDENSER 340-420-620-350-550 60 MF 117V-60HZ / 100V-50HZ |  |
| 219  | 08.01.20.000 | CONDENSER 340-420-350 20MF 230V - 60HZ                    |  |
| 219  | 08.04.00.000 | CONDENSER.45MF 620-550 230V-60HZ 340-420-350 100V-60HZ    |  |
| 219  | 08.01.10.000 | CONDENSER 340-420-350 AU 18MF 220V - 50HZ                 |  |
| 220  | 08.19.00.000 | 5-PIN TERMINAL BLOCK                                      |  |
| 221  | 14.01.00.000 | SHORT LEVER   |  |
| 222  | 10.04.00.000 | TRACTION SPRING   |  |
| 223  | 11.09.01.000 | SOCKET HEAD SCREW TCCE 6X16                               |  |

**Table 200 072016**

**Model 420**

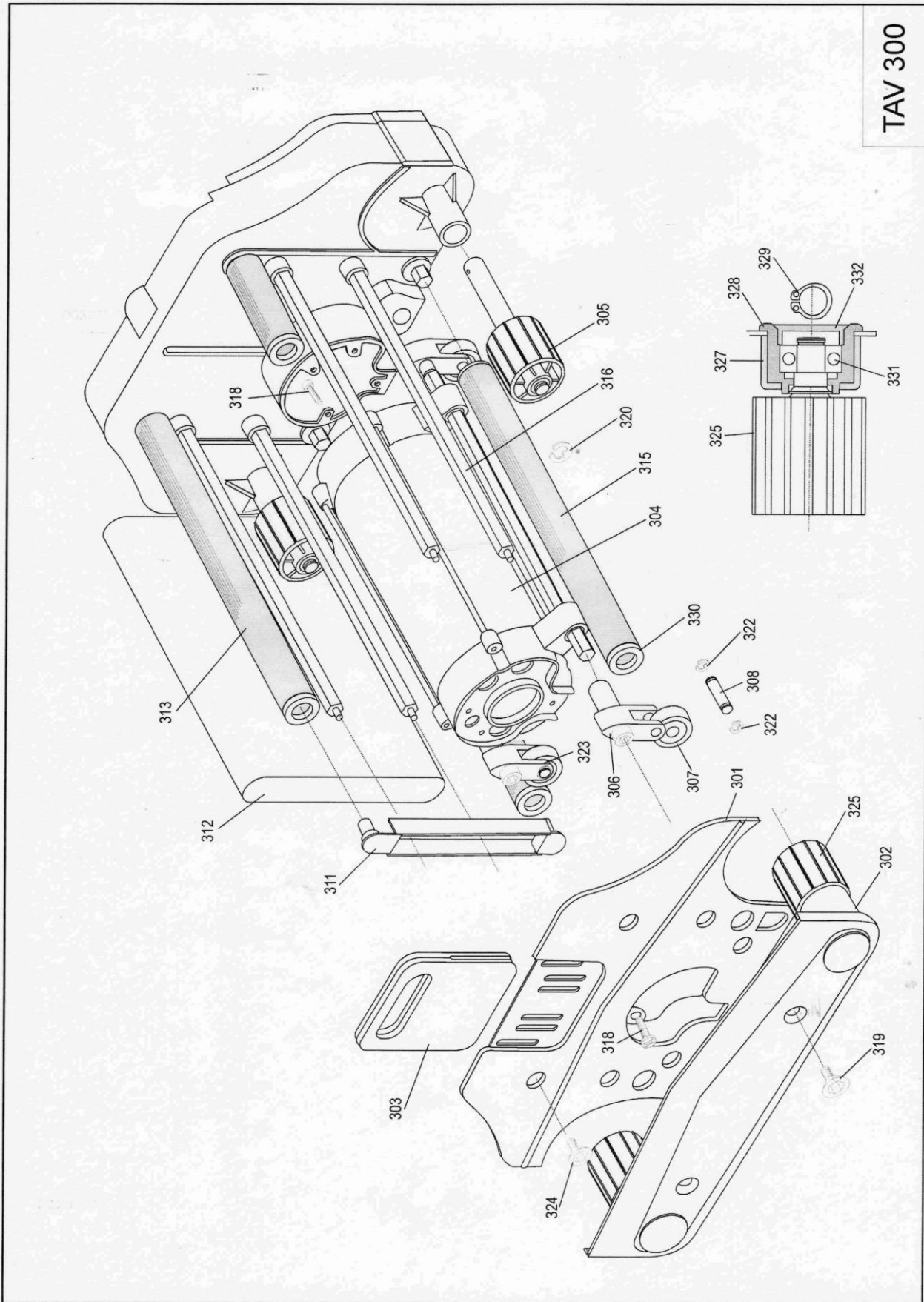
| Pos. | Article Code | Description                        |  |
|------|--------------|------------------------------------|--|
| 225  | 04.08.00.000 | CONDENSER O'RING                   |  |
| 227  | 13.02.00.000 | OUTSIDE SUMP BLACK                 |  |
| 229  | 10.03.00.000 | SPRING FOR THRUST CYLINDER MOUNTED |  |
| 231  | 01.16.00.000 | SHAFT FOR SLEEVE SUPPORT           |  |
| 232  | 11.38.00.000 | CYLINDER PLUG 8X20                 |  |
| 233  | 11.33.00.000 | CIRCLIP D.18                       |  |
| 234  | 14.06.10.000 | SLEEVE SUPPORT CAP BLACK           |  |
| 235  | 14.22.00.000 | ARTICULATED JOINT LEVER            |  |
| 236  | 22.17.01.000 | CABLE FIXING PIN FOR SHEALT        |  |
| 238  | 14.03.00.000 | WHEEL RAISING ACTIVATOR            |  |
| 239  | 08.19.02.000 | TERMINAL BLOCK BRIDGE              |  |
| 240  | 08.19.01.000 | TERMINAL BLOCK CAP                 |  |
| 241  | 08.20.00.000 | DOUBLE-POLE TERMINAL BLOCK         |  |
| 242  | 08.10.01.000 | MOTOR PROTECTOR 15A 117V-60HZ      |  |
| 242  | 08.11.01.000 | MOTOR PROTECTOR 4,5 A V.220        |  |
| 243  | 08.15.00.000 | CABLE CLAMP                        |  |
| 244  | 11.11.00.000 | SCREW FOR THERMINAL BL.            |  |
| 246  | 18.03.20.000 | HANDLE SUPPORT WITH SPRING BLK     |  |
| 247  | 10.02.00.000 | SPRING LATCH SPRING                |  |
| 248  | 03.12.00.000 | SPRING LATCH BALL                  |  |



Table 300 072016

Model 420

TAV 300



**Table 300 072016**
**Model 420**

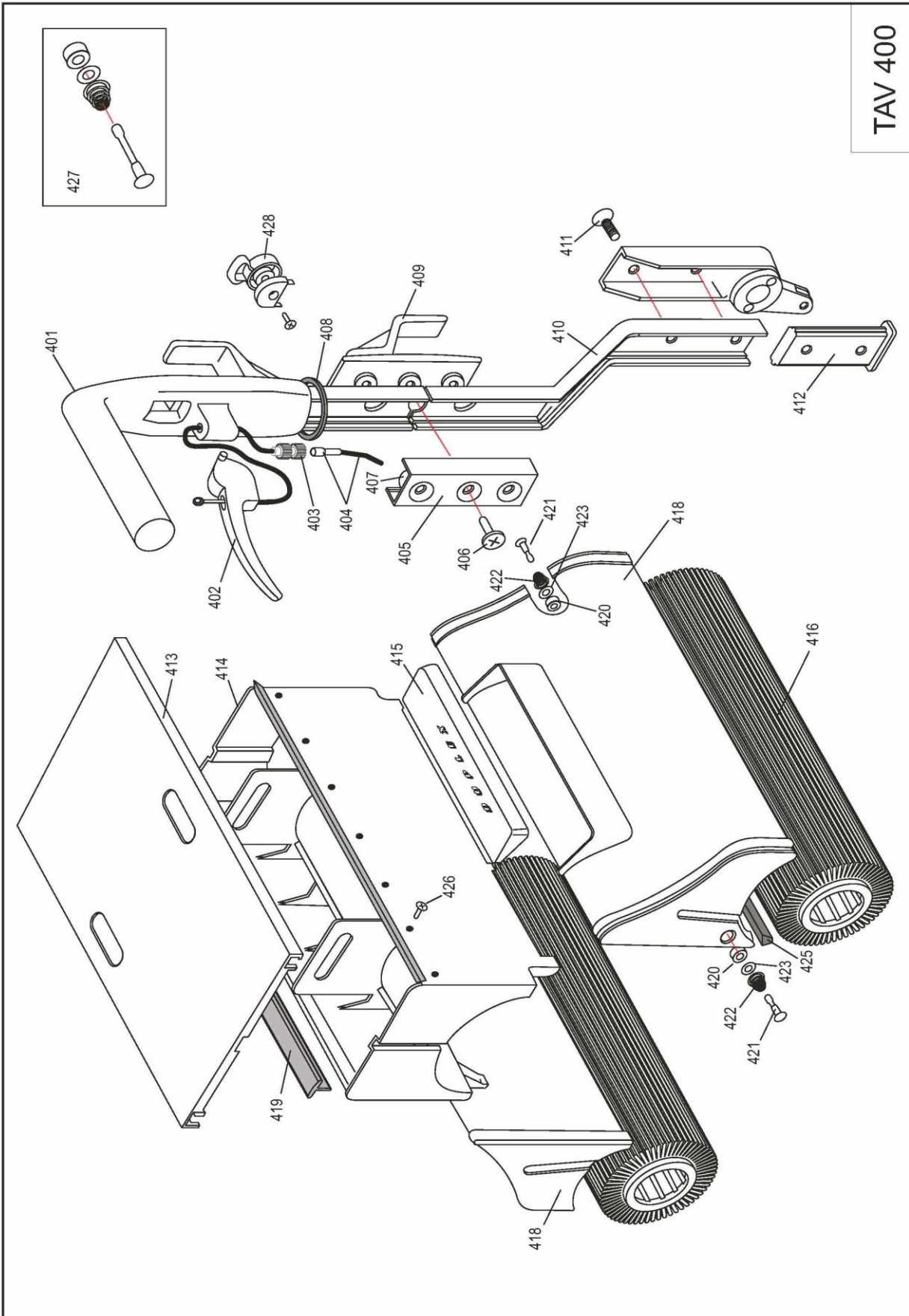
| Pos. | Article Code | Description                               |  |
|------|--------------|---|--|
| 301  | 18.02.10.000 | REAR BODY FRAME BLACK                     |  |
| 302  | 20.02.02.000 | STAINLESS CASING WITH BEARINGS            |  |
| 303  | 17.08.10.000 | HANDLE FOR LIFTING THE MACHINE            |  |
| 304  | 09.03.03.000 | MOTOR 220 V. 50HZ 420-350                 |  |
| 304  | 09.04.03.000 | MOTOR 240 V. 50HZ 420-350                 |  |
| 304  | 09.05.03.000 | MOTOR 117 V. 60HZ 350-420                 |  |
| 304  | 09.06.03.000 | MOTOR 220V. 60HZ 420-350                  |  |
| 304  | 09.07.03.000 | MOTOR 100 V. 50HZ 420-350                 |  |
| 304  | 09.07.10.000 | MOTOR 100V. 60HZ 420-350                  |  |
| 305  | 15.07.01.000 | BRUSH SUPPORT MAIN SIDE ELEMENT           |  |
| 306  | 16.05.01.000 | INOX WHEEL SUPPORT                        |  |
| 307  | 16.06.00.000 | NYLON WHEEL PACK X 4                      |  |
| 308  | 01.28.00.000 | WHEEL SHAFT BENZING RING                  |  |
| 311  | 18.09.02.000 | CYLINDER SUPPORT (BRASS S5)               |  |
| 312  | 04.20.00.000 | CONVEYOR BELT 420 -350                    |  |
| 313  | 01.42.01.000 | MOTOR CYLINDER 420-350                    |  |
| 315  | 01.40.01.000 | IDLE CYLINDER 420-350                     |  |
| 316  | 01.22.01.000 | SHAFT B. FRAME CONNECT.420-350            |  |
| 318  | 11.09.01.000 | SOCKET HEAD SCREW TCCE 6X16               |  |
| 319  | 11.15.01.000 | SOCKET HEAD SCREW 10X20 STAIN LESS CASING |  |
| 320  | 11.35.00.000 | BENZING RING D.12                         |  |
| 322  | 11.07.00.000 | INOX BENZING RING D.8 (WHEELS)            |  |
| 323  | 16.06.01.000 | ASSEMBLED NYLON WHEEL WITH SUPPORT        |  |
| 324  | 11.12.01.000 | SOCKET HEAD SCREW TPSCE 8X16 (BITT)       |  |
| 325  | 15.08.02.000 | BRUSHES SUPPORT INOX SIDE                 |  |
| 327  | 18.11.01.000 | BRUSH SUPPORT COVER                       |  |
| 328  | 18.12.01.000 | BRUSH SUPPORT BASE                        |  |
| 329  | 11.29.00.000 | CIRCLIP D.12                              |  |
| 330  | 01.39.01.000 | ASSEMBLED BUSH FOR CYLINDERS              |  |
| 331  | 03.14.55.000 | BEARING630012RS(BRUSH SUPPORT)            |  |
| 332  | 15.10.00.000 | BRUSH SUPPORT CAP                         |  |



**Table 400 072016**

**Model 420**

TAV 400

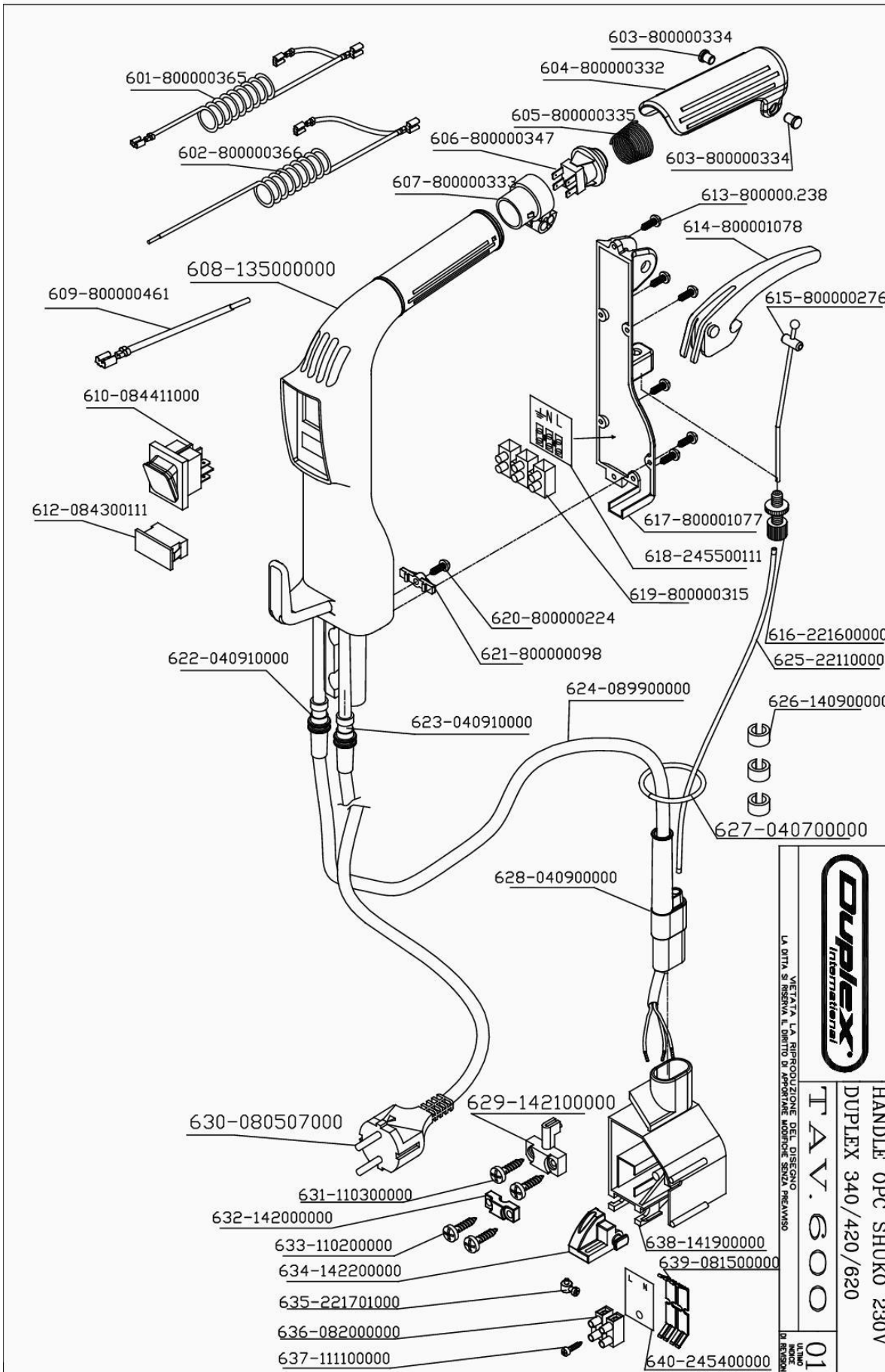


**Table 400 072016**
**Model 420**

| Pos. | Article Code | Description                           |  |
|------|--------------|---------------------------------------|--|
| 401  | 13.06.10.000 | HANDLE BLACK                          |  |
| 402  | 13.08.10.000 | FLUID RELEASE TRIGGER                 |  |
| 403  | 22.16.00.000 | REGULATOR WITH SHEATH NUT             |  |
| 404  | 22.11.10.000 | COMPLETE CABLE SHEALT AND CAPE        |  |
| 405  | 20.09.20.000 | SLEEVE CASING STAINLESS STEEL         |  |
| 406  | 11.12.01.000 | SOCKET HEAD SCREW TPSCE 8X16 (BITT)   |  |
| 407  | 02.02.00.000 | CASING BUSH                           |  |
| 408  | 04.07.00.000 | OR.FAIRLEAD (RUBBER RING)             |  |
| 409  | 13.09.10.000 | CABLE WRAP,JOINING BITT-HANDLE        |  |
| 410  | 21.05.01.000 | ELBOW D420-ESC 350-TEKNA              |  |
| 411  | 11.13.01.000 | SOCKET HEAD SCREW TPSCE 8X25 ( ELBOW) |  |
| 412  | 14.14.01.000 | RUBBER INSERT (ELBOW)                 |  |
| 413  | 17.03.00.000 | RECOVERY FLUID TANK COVER D420        |  |
| 414  | 12.23.01.000 | RECOVERY TANK 420-350 GREY            |  |
| 415  | 17.01.00.000 | CLEAN FLUID TANK COVER 340-420-350    |  |
| 416  | 19.01.03.000 | BLACK BRUSH D420 BRISTLE 0,30m        |  |
| 416  | 19.01.01.000 | BRUSH TYNEX D.420                     |  |
| 416  | 19.01.02.000 | YELLOW SOFT BRISTLE BRUSH D420        |  |
| 416  | 19.01.04.000 | GREY SOFT BRISTLE BRUSH D.420         |  |
| 416  | 19.01.05.000 | POLISHING BRUSH D.420                 |  |
| 416  | 190108000    | HARD BRISTLE BRUSH D.0,50 D420        |  |
| 418  | 12.55.01.000 | FLUID TANK D.420 BLUE                 |  |
| 419  | 04.03.30.000 | TRIMMER WITH SCREWS.420-350           |  |
| 420  | 04.06.00.000 | VALVE GASKET                          |  |
| 425  | 12.07.01.000 | DRIP CHANNEL STEAM W/SCREW 420        |  |
| 426  | 11.08.00.000 | SCREW 2,9X6,5 TSP FOR TRIMMER         |  |
| 427  | 01.14.10.000 | VALVE ASSEMBLY W/ ACCESSORIES         |  |
| 428  | 04.16.01.000 | CABLE SUSPENSION                      |  |

Table 600 012017

Model 420



VIETATA LA RIPRODUZIONE DEL DISEGNO  
LA DITTA SI RISERVA IL DIRITTO DI APPORTARE MODIFICHE SENZA PREAVVISO

HANDLE OPC SHUKO 230V  
DUPLIX 340/420/620  
TAV. 600 01

**Table 600 012017**

**Model 420**

| Pos. | Article Code | Description                  |  |
|------|--------------|------------------------------|--|
| 601  | 80.00.00.365 | WIRE FOR RED SWITCH SHORT    |  |
| 602  | 80.00.00.366 | WIRE FOR RED SWITCH LONG     |  |
| 603  | 80.00.00.334 | JOINT PIN OPC                |  |
| 604  | 80.00.00.332 | OPERATING SAFETY LEVER       |  |
| 605  | 80.00.00.335 | ACTUATING SPRING OPC HANDLE  |  |
| 606  | 80.00.00.347 | PUSHBUTTON 2 POLES 12A       |  |
| 607  | 80.00.00.333 | INSERT OPC                   |  |
| 608  | 13.50.00.000 | BLACK HANDLE OPC 340-420-620 |  |
| 609  | 80.00.00.461 | MAIN SWITCH WIRE             |  |
| 610  | 08.44.11.000 | RED SWITCH                   |  |
| 612  | 08.43.00.111 | CAP OPC HANDLE               |  |
| 613  | 80.00.00.238 | SCREW TB CROSS 2,9X16        |  |
| 614  | 80.00.01.078 | FLUID RELEASE TRIGGER 280    |  |
| 615  | 80.00.00.276 | TERMINAL WITH SCREW          |  |
| 616  | 22.16.00.000 | REGULATOR WITH SHEATH NUT    |  |
| 617  | 80.00.01.077 | BLACK COVER FOR HANDLE       |  |
| 618  | 24.55.00.111 | 3P LABEL F/ OPC HANDLE       |  |
| 619  | 80.00.00.315 | 3 POLE TERMINAL BLOCK        |  |
| 620  | 80.00.00.224 | SCREW TCB 3,9X16             |  |
| 621  | 80.00.00.098 | CABLE STOPPER FOR HANDLE     |  |
| 622  | 04.09.10.000 | FAIRLEAD BLACK 11078.1.2 PVC |  |
| 623  | 04.09.10.000 | FAIRLEAD BLACK 11078.1.2 PVC |  |
| 624  | 08.99.00.000 | WIRE FOR OPC HANDLE 3X1,5mm  |  |
| 625  | 22.11.10.000 | BOWDEN CABLE                 |  |
| 626  | 14.09.00.000 | CABLE STOPPER 5444           |  |
| 627  | 04.07.00.000 | OR.FAIRLEAD (RUBBER RING)    |  |
| 628  | 04.09.00.000 | FAIRLEAD                     |  |
| 629  | 14.21.00.000 | CABLE STAY                   |  |
| 630  | 08.05.04.000 | CABLE AND PLUG               |  |
| 631  | 11.03.00.000 | TC SCREW 4,2X16 ZINC         |  |
| 632  | 14.20.00.000 | FAIRLEAD STAY                |  |

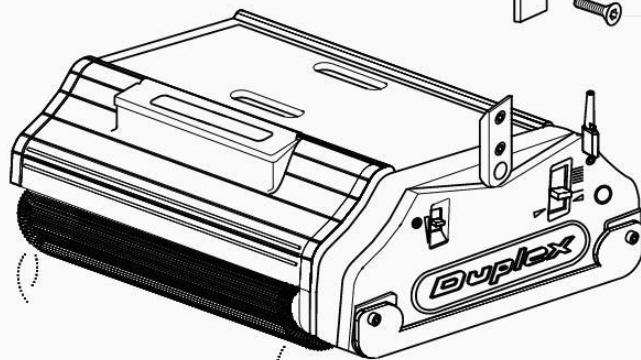
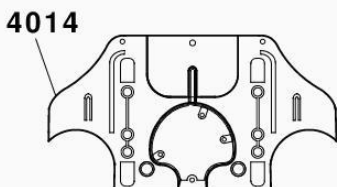
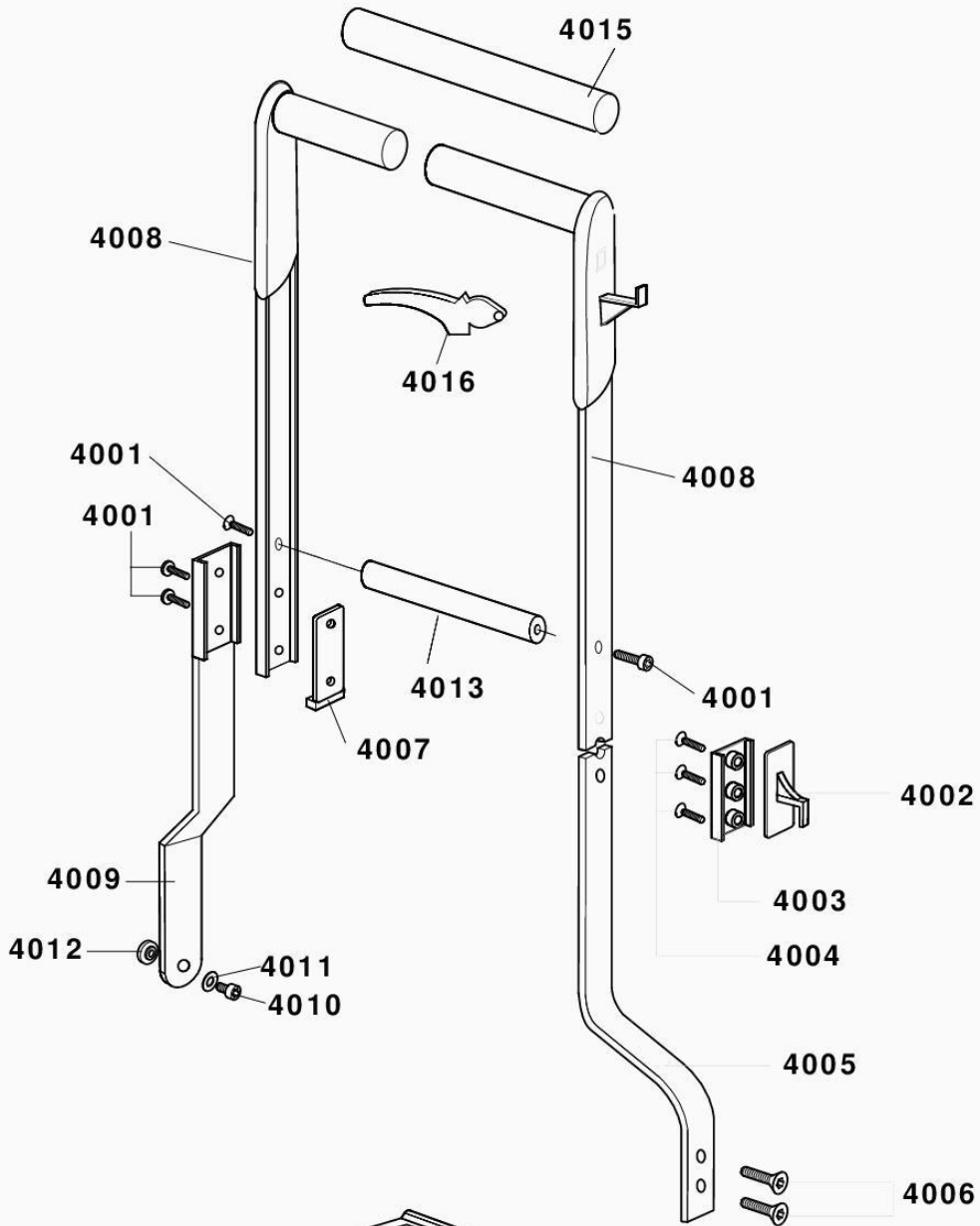
**Table 600 012017****Model 420**

| Pos. | Article Code | Description                 |  |
|------|--------------|-----------------------------|--|
| 633  | 11.02.00.000 | TC SCREW 4,2X13 ZINC        |  |
| 634  | 14.22.00.000 | ARTICULATED JOINT LEVER     |  |
| 635  | 22.17.01.000 | CABLE FIXING PIN FOR SHEATH |  |
| 636  | 08.20.00.000 | DOUBLE-POLE TERMINAL BLOCK  |  |
| 637  | 11.11.00.000 | SCREW FOR THERMINAL BLOCK   |  |
| 638  | 14.19.00.000 | FAIRLEAD SUPPORT            |  |
| 639  | 08.15.00.000 | CABLE CLAMP                 |  |
| 640  | 24.54.00.000 | LABEL LN                    |  |

Table 4000 022017

Model 420

# DUPLEX TEKNA



**TAV.4000**



**Table 4000 022017**
**Model 420**

| Pos. | Article Code | Description                           |  |
|------|--------------|---------------------------------------|--|
| 4001 | 11.61.00.000 | SCREW ZN8x20                          |  |
| 4002 | 13.09.10.000 | CABLE WRAP,JOINING BITT-HANDLE        |  |
| 4003 | 20.09.02.000 | SLEEVE CASING STAINLESS STEEL         |  |
| 4004 | 11.12.01.000 | SOCKET HEAD SCREW TPSCE 8X16 (BITT)   |  |
| 4005 | 21.05.01.000 | ELBOW D420-ESC 350-TEKNA              |  |
| 4006 | 11.13.01.000 | SOCKET HEAD SCREW TPSCE 8X25 ( ELBOW) |  |
| 4007 | 14.14.01.000 | RUBBER INSERT (ELBOW)                 |  |
| 4008 | 13.06.09.000 | HANDLE BLACK W/INS. ESC/TEKNA         |  |
| 4009 | 20.58.35.000 | ELBOW INOX ESC. 350 (48CM)            |  |
| 4010 | 11.58.00.000 | SCREW ZN 6X10                         |  |
| 4011 | 11.74.00.000 | WASHER                                |  |
| 4012 | 01.58.00.000 | BOLT (HANDLE) COMBI/PROF 11MM         |  |
| 4013 | 20.36.00.000 | HANDLE SPACER 350                     |  |
| 4014 | 18.02.30.000 | REAR BODY FRAME TEKNA/ESC             |  |
| 4015 | 20.35.00.000 | INOX HANDLE TUBE BASE 350             |  |
| 4016 | 13.08.10.000 | FLUID RELEASE TRIGGER                 |  |