

# PCU-1000 / 7500 3 phase + N

SOLIDWORKS Electrical

**PLYMØVENT®**

Plymovent Group BV 1800 GJ Alkmaar T: +31-(0)72-5640604  
 P.O. Box 9350 The Netherlands F: +31-(0)72-5644469

The information contained in this drawing is the sole property of Plymovent BV. Any reproduction in part or as a whole without written permission of Plymovent BV is prohibited.

Cover page

LOCATION: PCU

					REVISION
A	16-11-2018	MdB	18943		A
0	15-11-2018	MdB	18943		
REV.	DATE	NAME	RFC	CHANGES	SCHEME
Drawing number 910006G0043			Document Status RELEASED	Article number 0000101303	01

1-PCU-1000 3 phase + N

Drawing	Function	Location	Revision	Date	Created by	Description	Folder designation
01	=F1	+L1	0	15-11-2018	MdB	Cover page	
02	=F1	+L1	0	15-11-2018	MdB	Drawing list	
03	=F1	+L1	0	15-11-2018	MdB	General info	
04	=F1	+L1	0	15-11-2018	MdB	Electrical scheme	

**PLYMOVENT®**

Plymovent Group BV 1800 GJ Alkmaar T: +31-(0)72-5640604  
P.O. Box 9350 The Netherlands F: +31-(0)72-5644469

The information contained in this drawing is the sole property of Plymovent BV. Any reproduction in part or as a whole without written permission of Plymovent BV is prohibited.

PCU 3 phase + N  
Drawing list

LOCATION: PCU

					REVISION
A	16-11-2018	MdB	18943		A
0	15-11-2018	MdB	18943		
REV.	DATE	NAME	RFC	CHANGES	SCHEME
Drawing number 910006G0043		Document Status RELEASED		Article number 0000101303	02

INTERNAL WIRING				
	IDENTIFICATION	COLOUR	RATING	WIRE SIZE (mm2)
MAIN CURRENT 230/460/575VAC	PHASE L1, L2, L3	BLACK	600V/105°C	MIN. 2.5mm2 UNLESS OTHERWISE NOTED
	EARTH	GREEN/YELLOW		
CONTROL CURRENT 24VAC	SEE SCHEMATIC	DIN 47100	500V/80°C	0.5 mm2

FUSE REPLACEMENT CHART			
FUSE ID	TYPE	CURRENT RATING	VOLTAGE RATING AC
F1	5x20mm SLOW BLOW	0.5A	250V
F2	5x20mm SLOW BLOW	0.5A	250V
F3	5x20mm SLOW BLOW	3.15A	250V

TIGHTENING TORQUE FIELD WIRING (Nm)		
X1		0.6-0.8

CURRENT RATING OL1		
Motor (kW)	CURRENT @ 230V (A)	CURRENT @ 400V (A)
0.75	3.0	1.7
2.2	7.9	4.5
4	13.6	7.8
7.5	-	13.8

**PLYMOVENT®**

**PCU 3 phase + N**  
General info

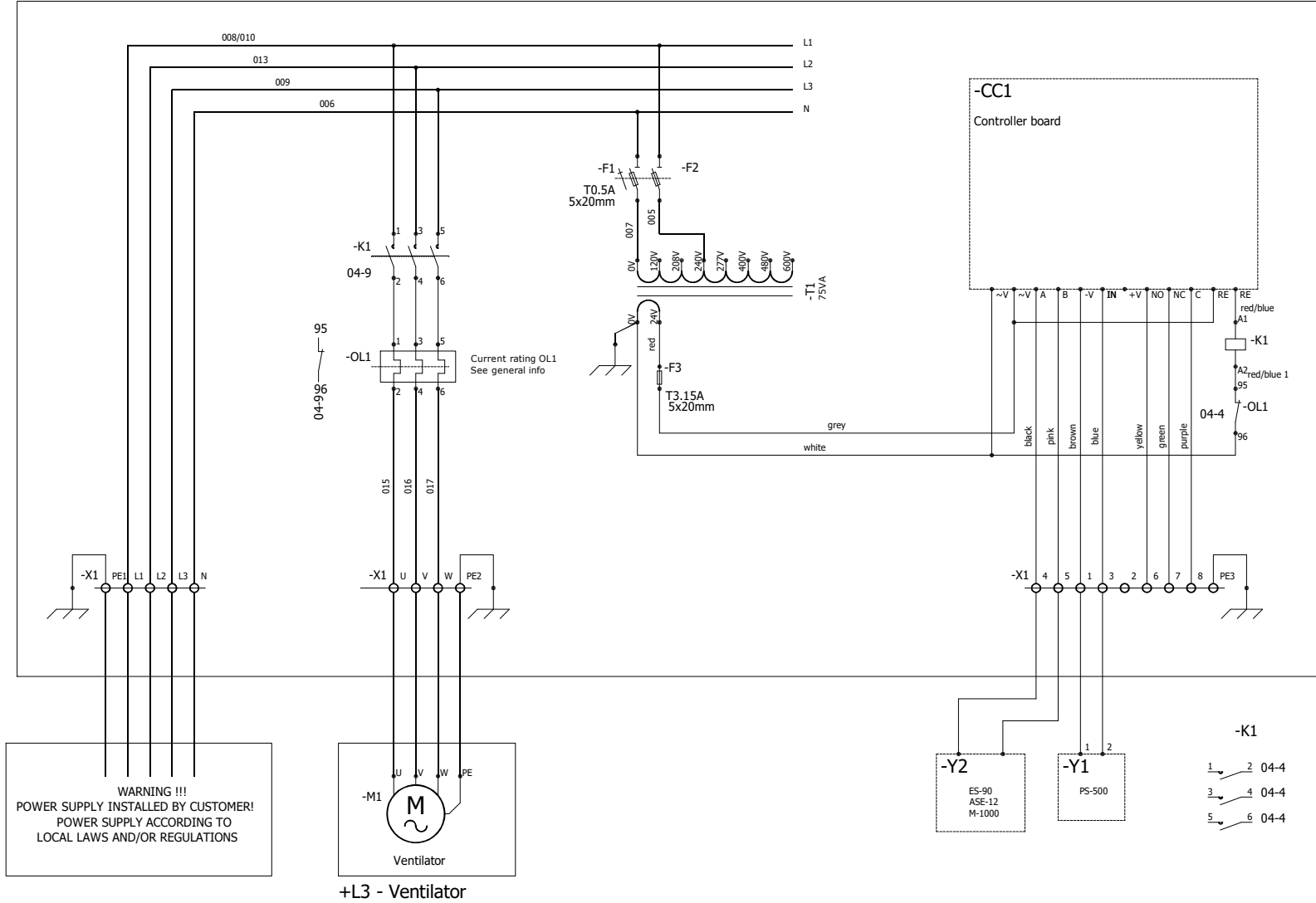
Plymovent Group BV 1800 GJ Alkmaar T: +31-(0)72-5640604  
P.O. Box 9350 The Netherlands F: +31-(0)72-5644469

The information contained in this drawing is the sole property of Plymovent BV. Any reproduction in part or as a whole without written permission of Plymovent BV is prohibited.

LOCATION: PCU

REV.	DATE	NAME	RFC	CHANGES	REVISION
A	16-11-2018	MdB	18943		A
0	15-11-2018	MdB	18943		
Drawing number 910006G0043 Document Status RELEASED Article number 0000101303					SCHEME 03

+L2 - Control panel



**PLYMØVENT®**

**PCU 3 phase + N**  
Electrical scheme

Plymøvent Group BV 1800 GJ Alkmaar T: +31-(0)72-5640604  
P.O. Box 9350 The Netherlands F: +31-(0)72-5644469

The information contained in this drawing is the sole property of Plymøvent BV. Any reproduction in part or as a whole without written permission of Plymøvent BV is prohibited.

LOCATION: PCU

REV.	DATE	NAME	RFC	CHANGES	REVISION
A	16-11-2018	MdB	18943		A
0	15-11-2018	MdB	18943		
				<b>SCHEME</b>	<b>04</b>
Drawing number 910006G0043		Document Status RELEASED		Article number 0000101303	