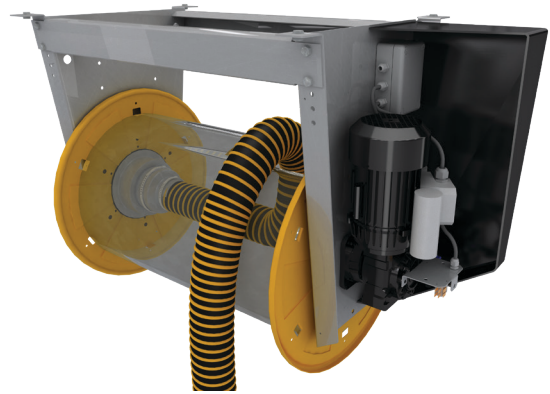


MER MOTORIZED EXHAUST REEL

HOSE REEL

The Motorized exhaust reel (MER) is the ideal solution for truck, bus and construction off-road vehicle workshops with high ceilings and heavy high-temperature hoses. The rugged strength of the MER gives an extra margin for these applications, specifically if hoses are frequently raised and lowered.

MER provides the best lifting capacity of all the Plymovent hose reels. MER's power margin and strong transmission are designed to withstand heavy usage, thus ensuring long, reliable and trouble-free performance for many years.



APPLICATIONS

The MER is intended to be used for the following applications:



- To eliminate hazardous vehicle exhaust emissions with our vehicle exhaust capture and removal systems for the following segments: fire and emergency service stations as well as military facilities.

SPECIFICATIONS

■ Performance			
Voltage	120V	230/400- 460V	575V
No. of phases	1 ph	3 ph	3 ph
Frequency	60 Hz	50/60 Hz	60 Hz
Output	0,55 kW (0.75 hp)	0,55 kW (0.75 hp)	0,55 kW (0.75 hp)
Motor RPM	1080 rpm	900 / 1080 rpm	920 rpm
Uncoiling speed (with gearbox 1:70)	15 rpm	13 / 15 rpm	15 rpm

■ Ambient conditions

Max. operating temperature	depends on hose
Max. relative humidity	80%
Outdoor use allowed	no

■ Options and accessories

Hose mounting kits (MER-850 and MER-1050)

MAP-100	100 mm (4 in.) hose
MAP-125	125 mm (5 in.) hose
MAP-150	150 mm (6 in.) hose

■ Where used

The MER provides a gear motor system that lifts the heaviest exhaust hose and nozzle. A standard overload relay and circuit breaker protect the mechanism from accidental strain. The MER can be installed on ceiling, wall or boom.
Note: For a 200 mm (8 in.) model, boom is not available.

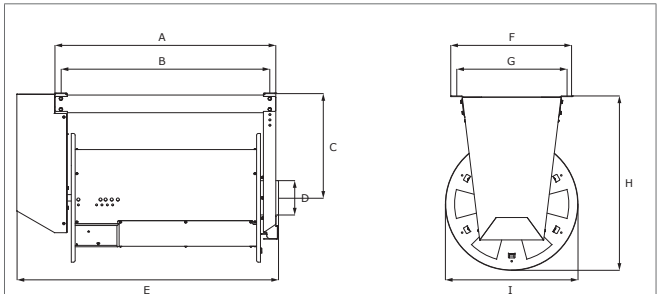
■ Scope of supply

Hose reel | Electrical junction box and motor | Hose to be ordered separately

■ Order information

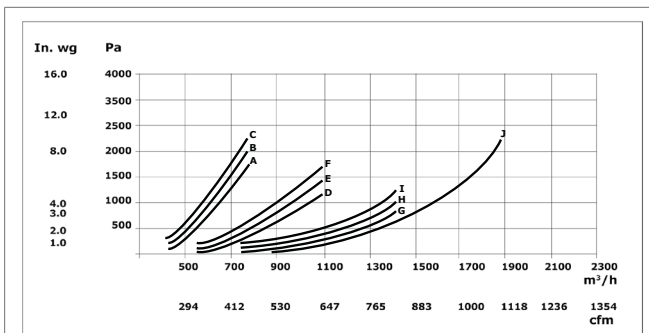
Article no.	refer to price list
Number/package	1

DIMENSIONS



	MER-850	MER-1050	MER-1250-200
A	1030 mm (40.5 in.)	1230 mm (48.4 in.)	1430 mm (56.3 in.)
B	974 mm (38.3 in.)	1174 mm (46.2 in.)	1374 mm (54 in.)
C	490 mm (19.3 in.)	490 mm (19.3 in.)	590 mm (23.4 in.)
D	Ø 160 mm (6.3 in.)	Ø 160 mm (6.3 in.)	Ø 200 mm (8 in.)
E	1230 mm (48.4 in.)	1430 mm (56.3 in.)	1620 mm (63.8 in.)
F	552 mm (21.7 in.)	552 mm (21.7 in.)	577 mm (22.7 in.)
G	500 mm (19.7 in.)	500 mm (19.7 in.)	525 mm (20.7 in.)
H	790 mm (31 in.)	790 mm (31 in.)	1117 mm (44 in.)
I	600 mm (23.6 in.)	600 mm (23.6 in.)	735 mm (28.9 in.)

PRESSURE LOSS



	Ø Hose	Hose length
A	100 mm (4 in.)	7,5 m (25 ft)
B	100 mm (4 in.)	10 m (33 ft)
C	100 mm (4 in.)	12,5 m (41 ft)
D	125 mm (5 in.)	7,5 m (25 ft)
E	125 mm (5 in.)	10 m (33 ft)
F	125 mm (5 in.)	12,5 m (41 ft)
G	150 mm (6 in.)	7,5 m (25 ft)
H	150 mm (6 in.)	10 m (33 ft)
I	150 mm (6 in.)	12,5 m (41 ft)
J	200 mm (8 in.)	12,5 m (41 ft)

AIRFLOW VOLUME: GENERAL GUIDELINES

Vehicles serviced	m ³ /h (cfm)	Ø Hose
Automobile	460-510 (270-300)	Ø 100 mm (4 in.)
Motorcycle	1020-1105 (600-650)	Ø 150 mm (6 in.)
Trucks (public works, rental fleets, etc.)	850-935 (500-550)	Ø 125 mm (5 in.)
Heavy duty trucks	1020-1360 (650-800)	Ø 150 mm (6 in.)
Off-road (constr., compressor tests, etc.)	1700-2400 (1000-1400)	Ø 200 mm (8 in.)

REMAINING SPECIFICATIONS

Description	Ø Hose	Max. hose length	Weight*
MER-850-100	100 mm (4 in.)	14 m (46 ft)	62 kg (137 lbs)
MER-850-125	125 mm (5 in.)	12,5 m (41 ft)	62 kg (137 lbs)
MER-850-150	150 mm (6 in.)	10 m (33 ft)	62 kg (137 lbs)
MER-1050-125	125 mm (5 in.)	14 m (46 ft)	70 kg (150 lbs)
MER-1050-150	150 mm (6 in.)	12,5 m (41 ft)	70 kg (150 lbs)
MER-1250-200	200 mm (8 in.)	12,5 m (41 ft)	75 kg (165 lbs)

* Weight without hose

Product type	MER
Article no.	refer to price list
Product category	hose reels
Version	160920/A

Always check the latest version on www.plymovent.com