

FRAME SIF

MOUNTING FRAME FOR SIF FAN

Square mounting frame for SIF fan in sound absorbing case, for connection to a central filter system SCS or MDB.

The frame height is based on the outlet position of the connected filter system. Including adjusting feet to level the fan.



SPECIFICATIONS

General	
■ Physical dimensions and properties	
Material	powder coated steel
Colour	black RAL 9005
Gloss level	70%
■ Selection table	
Refer to page	2
■ Logistics data	
Number/package	1
Harmonized Tariff Code	8414594090
Country of origin	Netherlands

FRAME SIF-	700/S	700/M	900/M	900/1200	1500	1500/M LOW	2000/S	2000/M
■ Dimensions								
Refer to page	3	3	4	4	5	5	6	6
I = top view II = side view								
■ Order information								
Article no.	9850070220	9850070230	9850070240	9850070250	9850070260	0000102761	9850070270	9850070280

Product type

FRAME SIF

Article no.

refer to Order information

Product category

Options and accessories

Version

020317/A

Always check the latest version on www.plymovent.com

SELECTION TABLE

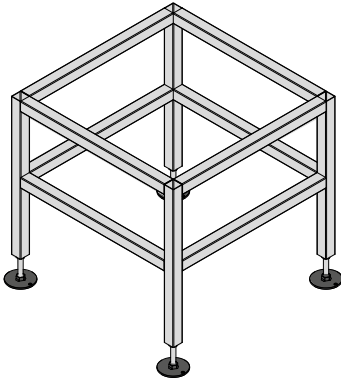
	SCS	MDB (general) *)	Exceptions:	
			MDB-8/H MDB-8/V MDB-12/H MDB-12/V	MDB with <i>horizontal</i> bottom outlet
SIF-700	FRAME SIF-700/S	FRAME SIF-700/M		
SIF-900	FRAME SIF-900/1200	FRAME SIF-900/1200	FRAME SIF-900/M	
SIF-1200	FRAME SIF-900/1200	FRAME SIF-900/1200	FRAME SIF-900/M	
SIF-1500	FRAME SIF-1500	FRAME SIF-1500		FRAME SIF-1500/M LOW
SIF-1800	FRAME SIF-1500	FRAME SIF-1500		
SIF-1900	FRAME SIF-1500	FRAME SIF-1500		
SIF-2000	FRAME SIF-2000/S	FRAME SIF-2000/M		

*) Remarks:

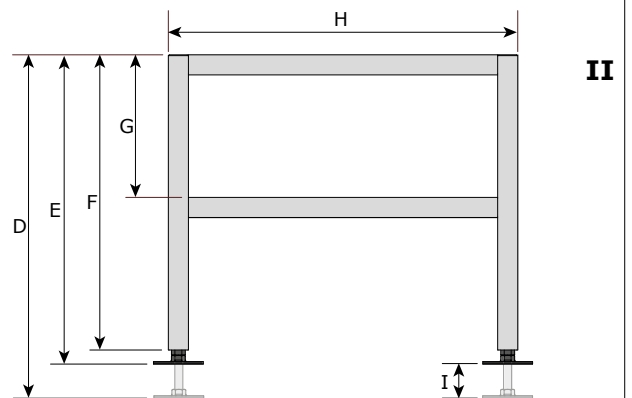
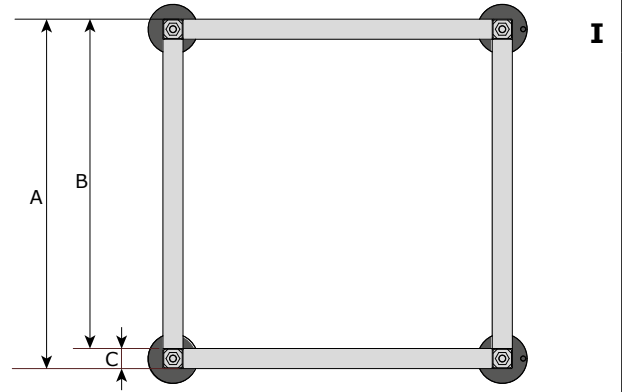
- The frame height is based on MDB units with a *vertical* outlet.
- MDB-6, MDB-10 and MDB-20 consist of filter modules MDB-BM/2 and MDB-BM/4. Filter module MDB-BM/2 to be mounted *underneath* MDB-BM/4.

FRAME SIF-700/S

9850070220

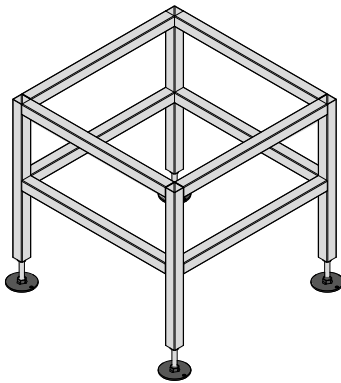


	mm	inch
A	870	34.3
B	820	32.3
C	50	2
D (max.)	855	33.7
E (min.)	770	30.3
F	735	28.9
G	355	14
H	870	34.3
I	0-85	0-3.3

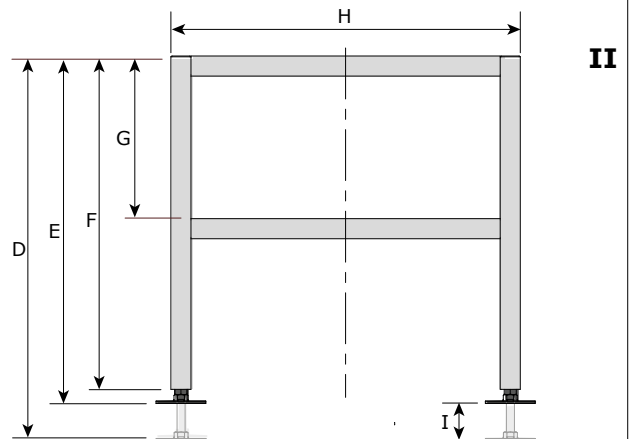
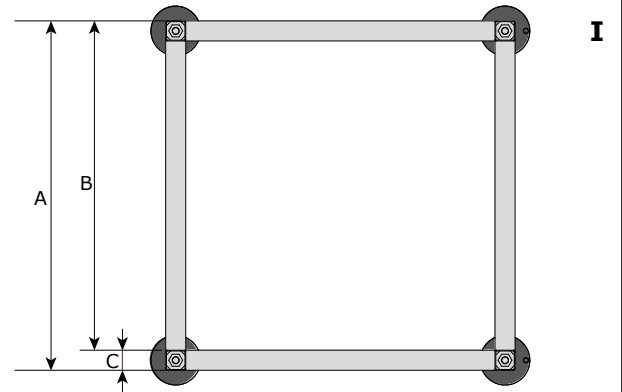


FRAME SIF-700/M

9850070230

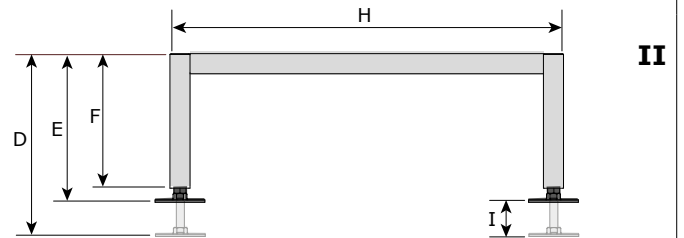
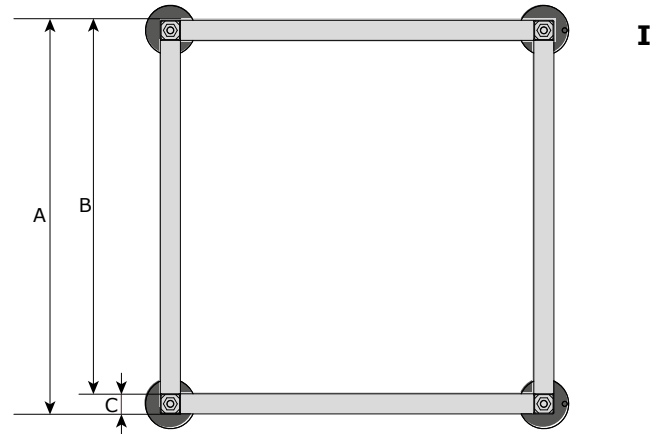
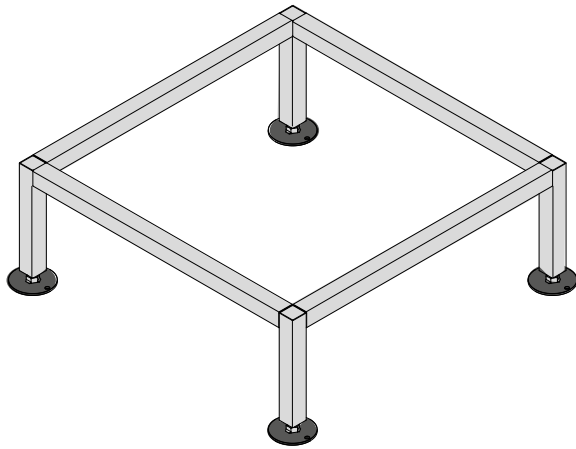


	mm	inch
A	870	34.3
B	820	32.3
C	50	2.0
D (max.)	950	37.4
E (min.)	865	34.1
F	830	32.7
G	405	15.9
H	870	34.3
I	0-85	0-3.3



FRAME SIF-900/M

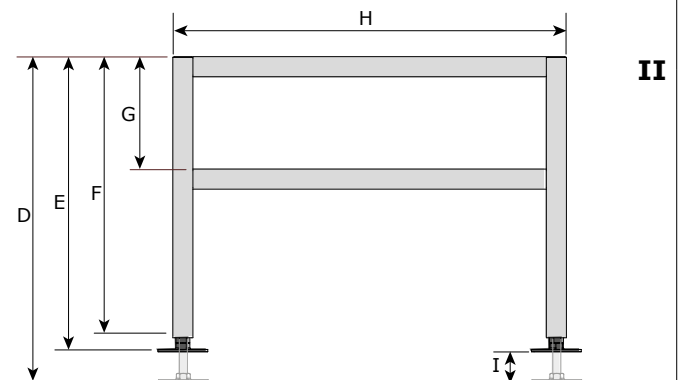
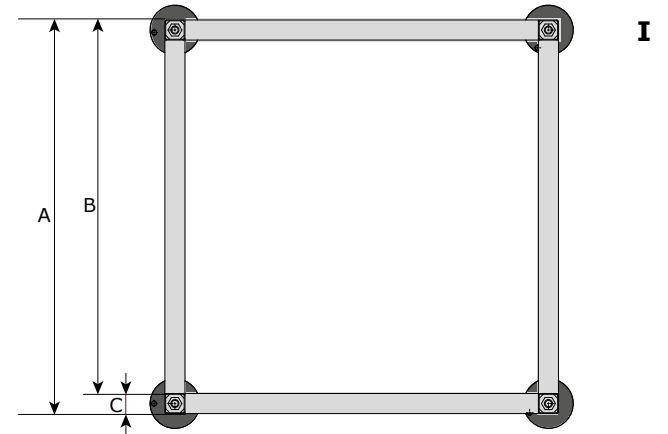
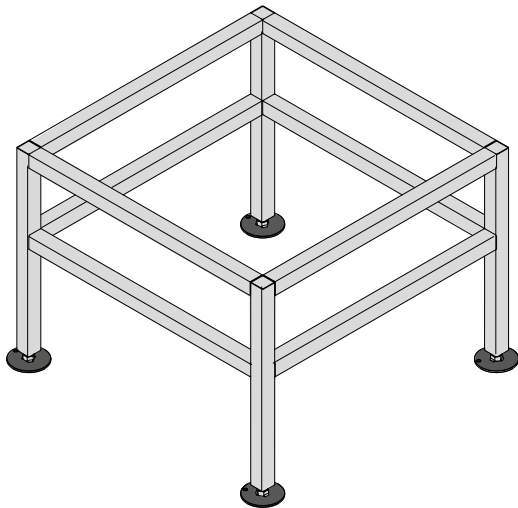
9850070240



	mm	inch
A	980	38.6
B	930	36.6
C	50	2.0
D (max.)	455	17.9
E (min.)	370	14.6
F	335	13.2
G	-	-
H	980	38.6
I	0-85	0-3.3

FRAME SIF-900/1200

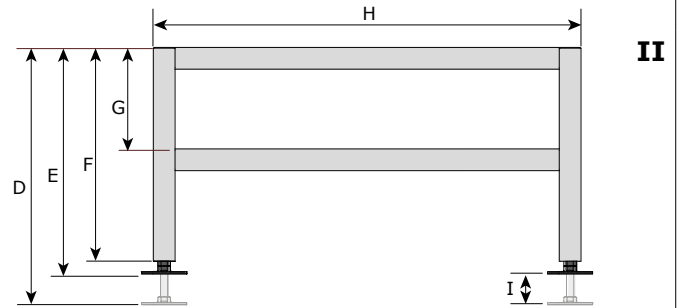
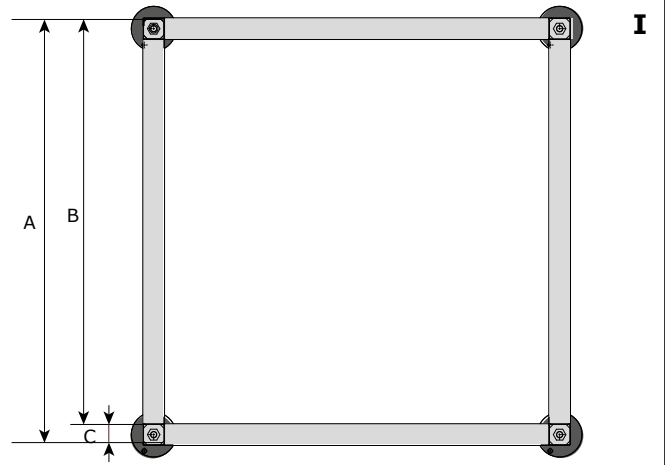
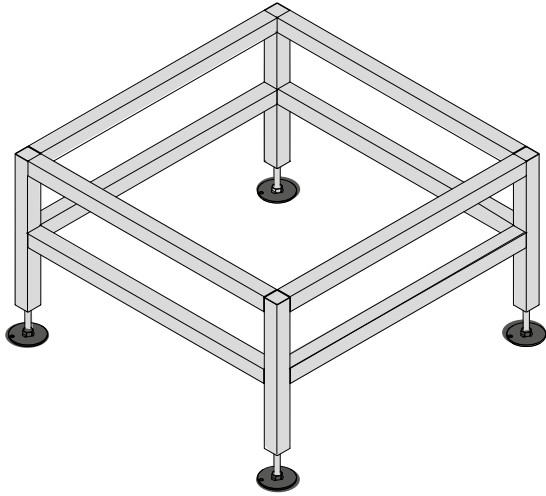
9850070250



	mm	inch
A	980	38.6
B	930	36.6
C	50	2.0
D (max.)	820	32.3
E (min.)	735	28.9
F	700	27.6
G	280	11.0
H	980	38.6
I	0-85	0-3.3

FRAME SIF-1500

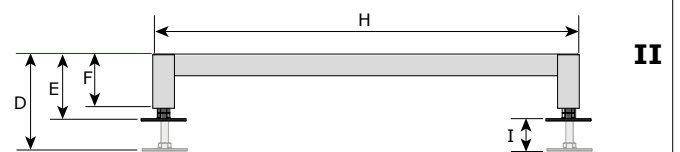
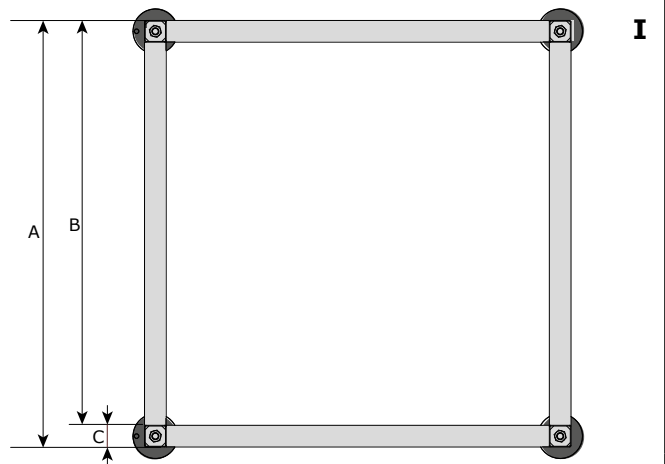
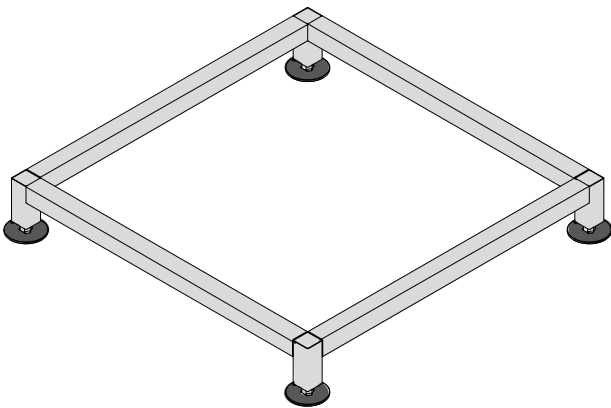
9850070260



	mm	inch
A	1180	46.5
B	1120	44.1
C	60	2.4
D (max.)	710	28.0
E (min.)	625	24.6
F	590	23.2
G	280	11.0
H	1180	46.5
I	0-85	0-3.3

FRAME SIF-1500/M LOW

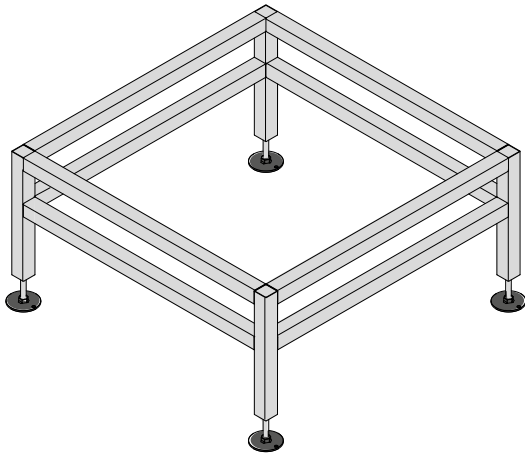
0000102761



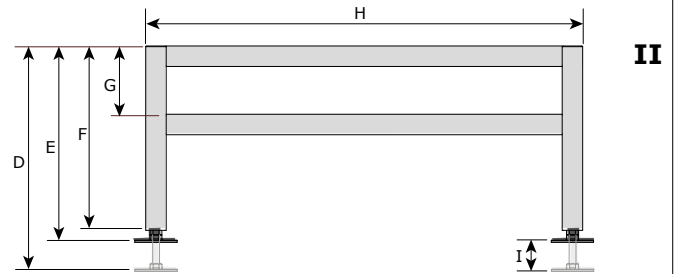
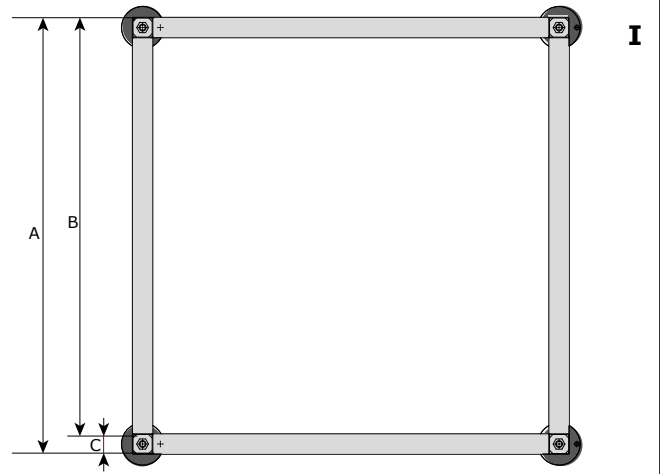
	mm	inch
A	1180	46.5
B	1120	44.1
C	60	2.4
D (max.)	268	10.6
E (min.)	185	7.3
F	150	5.9
G	-	-
H	1180	46.5
I	0-83	0-3.3

FRAME SIF-2000/S

9850070270

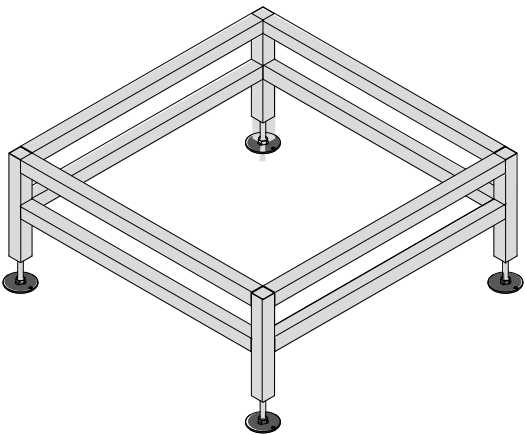


	mm	inch
A	1280	50.4
B	1220	48.0
C	60	2.4
D (max.)	660	26.0
E (min.)	575	22.6
F	540	21.3
G	200	7.9
H	1280	50.4
I	0-85	0-3.3



FRAME SIF-2000/M

9850070280



	mm	inch
A	1280	50.4
B	1220	48.0
C	60	2.4
D (max.)	570	22.4
E (min.)	485	19.1
F	450	17.7
G	200	7.9
H	1280	50.4
I	0-85	0-3.3

