

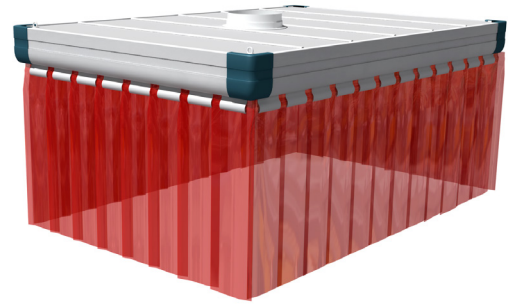
FLEXHOOD

MODULAR EXTRACTION HOOD

The FlexHood is a modular extraction hood, which is built of separate components. It can be used for several industrial processes, such as (manual or robotic) welding, grinding and cutting.

The FlexHood is placed over the working area and has to be connected to an external extraction/filtration system. The bottom roof panels act as a deflection plate, directing the airflow to the outer edge of the hood or hood compartment. The extracted air exits the hood through one or two connection flanges located on top.

The integrated suspension eyes enable ceiling mounting/hanging of the hood.



Shown: FlexHood with welding strips

SPECIFICATIONS

■ Physical dimensions and properties	
Hood dimensions	from 1 x 1,5 m to 5,5 x 5,5 m in steps of 0,5 m; refer to attachments
FlexHood:	
• single compartment	• 1 x 1,5 – 2 x 5,5 m
• double compartment	• 2,5 x 2,5 – 4 x 5,5 m
• triple compartment	• 4,5 x 2,5 – 5,5 x 5,5 m
Material	refer to separate product data sheets
Colour	refer to separate product data sheets
Weight (net)	refer to attachments
■ Performance	
Recommended extraction capacity *)	500-800 m ³ /h per square meter (27-44 CFM per square ft) of hood
Recommended air velocity in connected duct	10-12 m/s (1,950-2,400 FPM)
Pressure loss over hood	refer to Table 1 on page 2
Sound level	refer to Table 1 on page 2
■ Available options	
Welding strips *) (recommended option)	<ul style="list-style-type: none"> • orange-red; semi-transparent • yellow-orange; transparent • clear; transparent
<i>Strip brackets to mount the welding strips are supplied with the FlexHood.</i>	
Leg 2/2,5/3/3,5 m	max. 4 legs per hood
Corner reinforcement set	for standing hoods (double and triple compartment)
Floor mounting set	set of 4 floor mounting plates
Lighting fixture	
Custom-made hood; cutting down:	<ul style="list-style-type: none"> • the length • the width • the height (legs)
■ Scope of supply	
Refer to attachments on pages 4-16	

■ Mounting

Mounting possibilities:	
• chains	• chain links min. 8 mm (to be sourced locally)
• legs + floor mounting set	• optionally available
• combination of both	• e.g. 2 chains + 2 legs

■ Order information

Article numbers	refer to page 3
-----------------	-----------------

*) Extraction capacities higher than 800 m³/h (44 CFM/ft²) are hardly effective against the negative influences of draught. In any case, the use of welding strips with a minimum length of 60 cm (2 ft) is highly recommended. The longer the better but at least long enough to prevent fume from escaping from the hood.

AIRFLOW

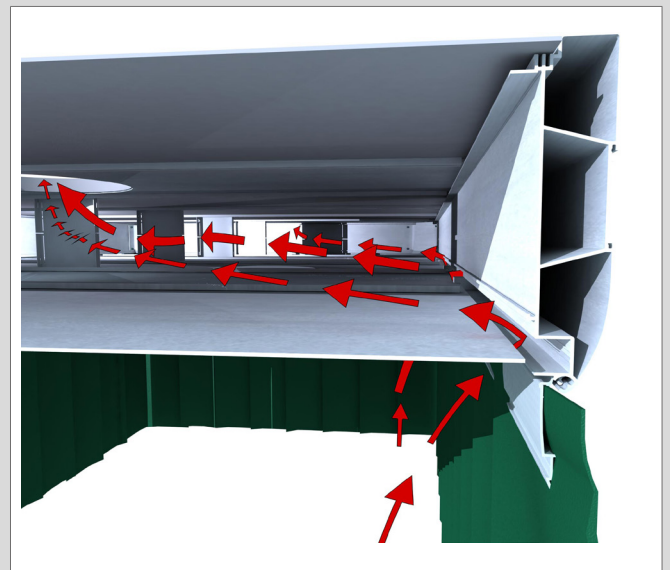
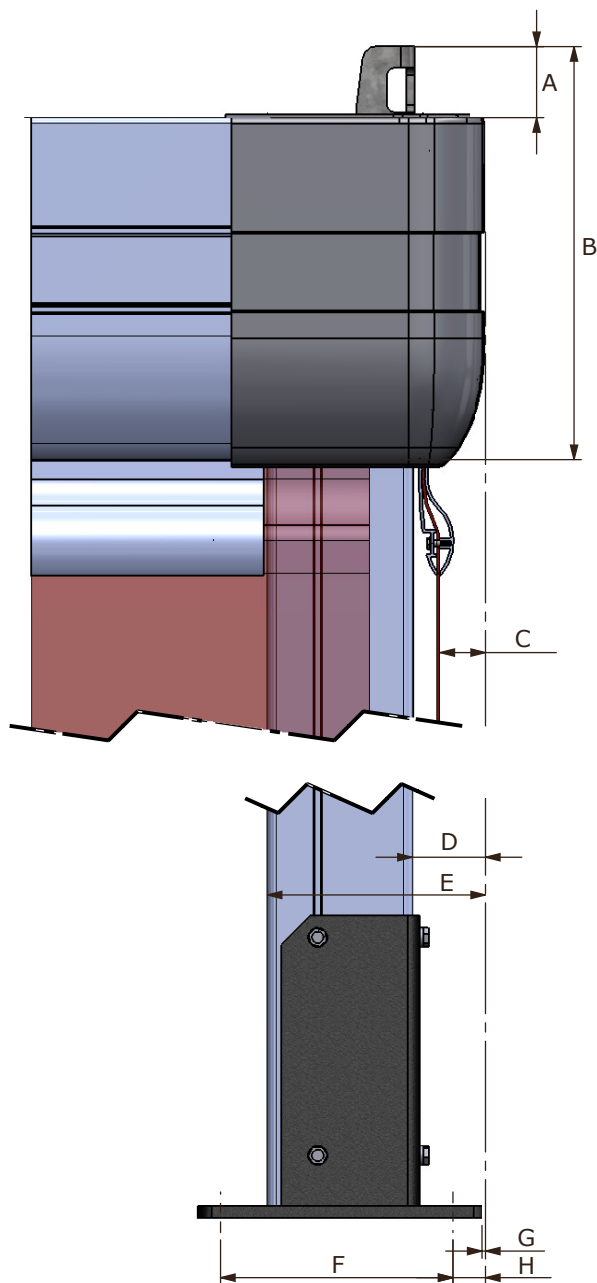


Table 1: Sound level and pressure drop

m ³ /h/m ²	Sound level hood		Pressure drop
	Outside	Inside	
500	63 dB(A)	68 dB(A)	150 Pa
550	64 dB(A)	69 dB(A)	150 Pa
600	65 dB(A)	70 dB(A)	160 Pa
650	66 dB(A)	71 dB(A)	165 Pa
700	68 dB(A)	73 dB(A)	180 Pa
750	71 dB(A)	75 dB(A)	230 Pa
800	73 dB(A)	77 dB(A)	280 Pa

DIMENSIONS



	mm	inch
A	49	1.9
B	284	11.2
C	31	1.2
D	50	2.0
E	150	5.9
F	160	6.3
G	2	0.08
H	22	0.9

Product type

FlexHood

Article no.

refer to page 3

Product category

modular extraction hoods

Version

230321/N

Always check the latest version on www.plymovent.com

ARTICLE NUMBERS

Modular hoods, incl. connection flange(s) and strip brackets

Dimensions	Article no.	Dimensions	Article no.
SINGLE compartment modular hoods			
1 x 1,5 m	9751001600	1,5 x 4 m	9751101650
1 x 2 m	9751001610	1,5 x 4,5 m	9751101660
1 x 2,5 m	9751001620	1,5 x 5 m	9751101670
1 x 3 m	9751001630	1,5 x 5,5 m	9751101680
1 x 3,5 m	9751001640	2 x 1,5 m	9751201600
1 x 4 m	9751001650	2 x 2 m	9751201610
1 x 4,5 m	9751001660	2 x 2,5 m	9751201620
1 x 5 m	9751001670	2 x 3 m	9751201630
1 x 5,5 m	9751001680	2 x 3,5 m	9751201640
1,5 x 1,5 m	9751101600	2 x 4 m	9751201650
1,5 x 2 m	9751101610	2 x 4,5 m	9751201660
1,5 x 2,5 m	9751101620	2 x 5 m	9751201670
1,5 x 3 m	9751101630	2 x 5,5 m	9751201680
1,5 x 3,5 m	9751101640		

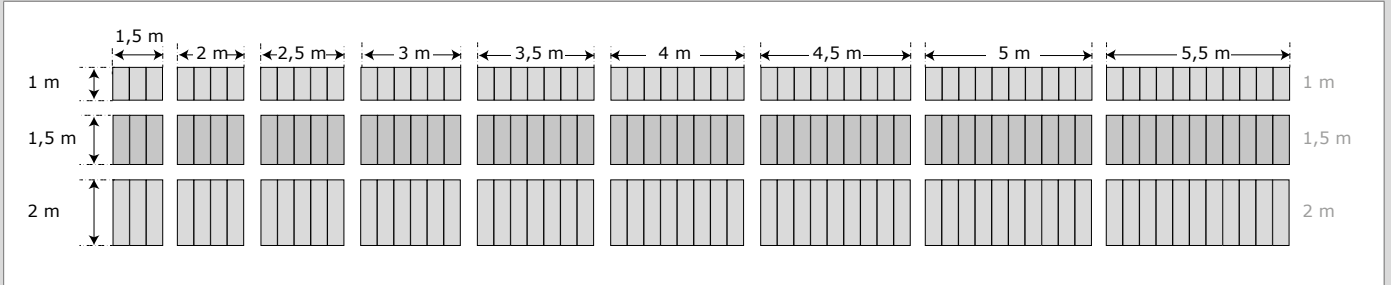
DOUBLE compartment modular hoods			
2,5 x 2,5 m	9751301620	3,5 x 2,5 m	9751501620
2,5 x 3 m	9751301630	3,5 x 3 m	9751501630
2,5 x 3,5 m	9751301640	3,5 x 3,5 m	9751501640
2,5 x 4 m	9751301650	3,5 x 4 m	9751501650
2,5 x 4,5 m	9751301660	3,5 x 4,5 m	9751501660
2,5 x 5 m	9751301670	3,5 x 5 m	9751501670
2,5 x 5,5 m	9751301680	3,5 x 5,5 m	9751501680
3 x 2,5 m	9751401620	4 x 2,5 m	9751601620
3 x 3 m	9751401630	4 x 3 m	9751601630
3 x 3,5 m	9751401640	4 x 3,5 m	9751601640
3 x 4 m	9751401650	4 x 4 m	9751601650
3 x 4,5 m	9751401660	4 x 4,5 m	9751601660
3 x 5 m	9751401670	4 x 5 m	9751601670
3 x 5,5 m	9751401680	4 x 5,5 m	9751601680

TRIPLE compartment modular hoods			
4,5 x 2,5 m	9751701620	5 x 4,5 m	9751801660
4,5 x 3 m	9751701630	5 x 5 m	9751801670
4,5 x 3,5 m	9751701635	5 x 5,5 m	9751801680
4,5 x 4 m	9751701640	5,5 x 2,5 m	9751901620
4,5 x 4,5 m	9751701645	5,5 x 3 m	9751901630
4,5 x 5 m	9751701650	5,5 x 3,5 m	9751901640
4,5 x 5,5 m	9751701660	5,5 x 4 m	9751901650
5 x 2,5 m	9751801620	5,5 x 4,5 m	9751901660
5 x 3 m	9751801630	5,5 x 5 m	9751901670
5 x 3,5 m	9751801640	5,5 x 5,5 m	9751901680
5 x 4 m	9751801650		

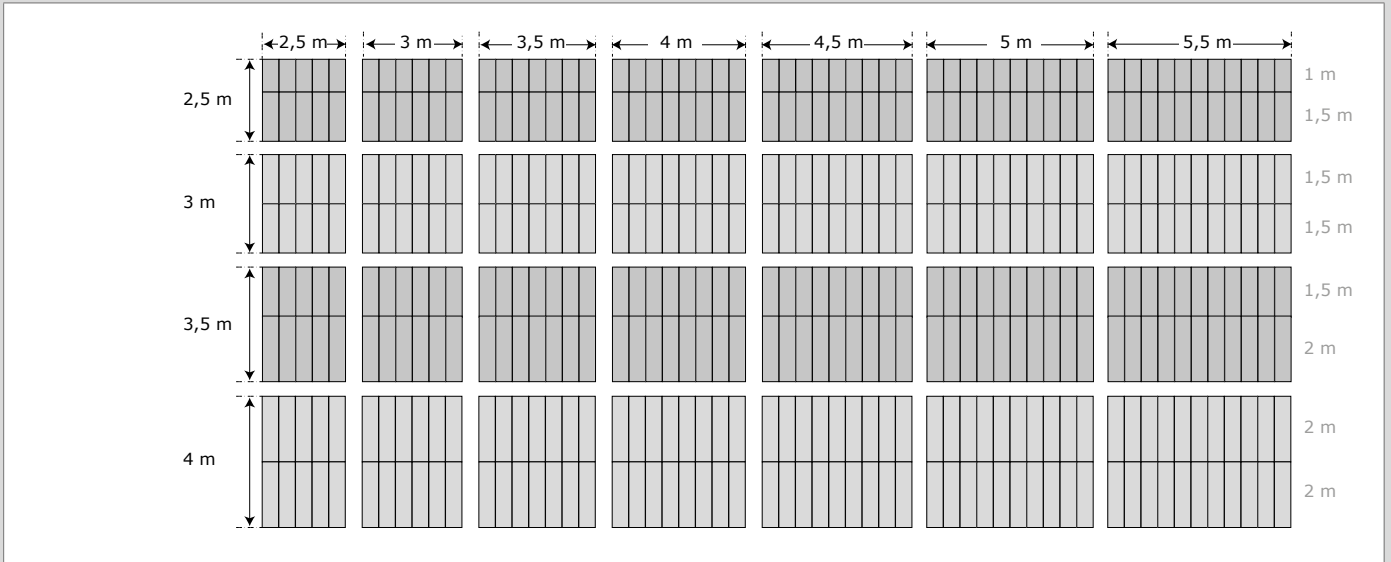
OVERVIEWS

ATTACHMENT

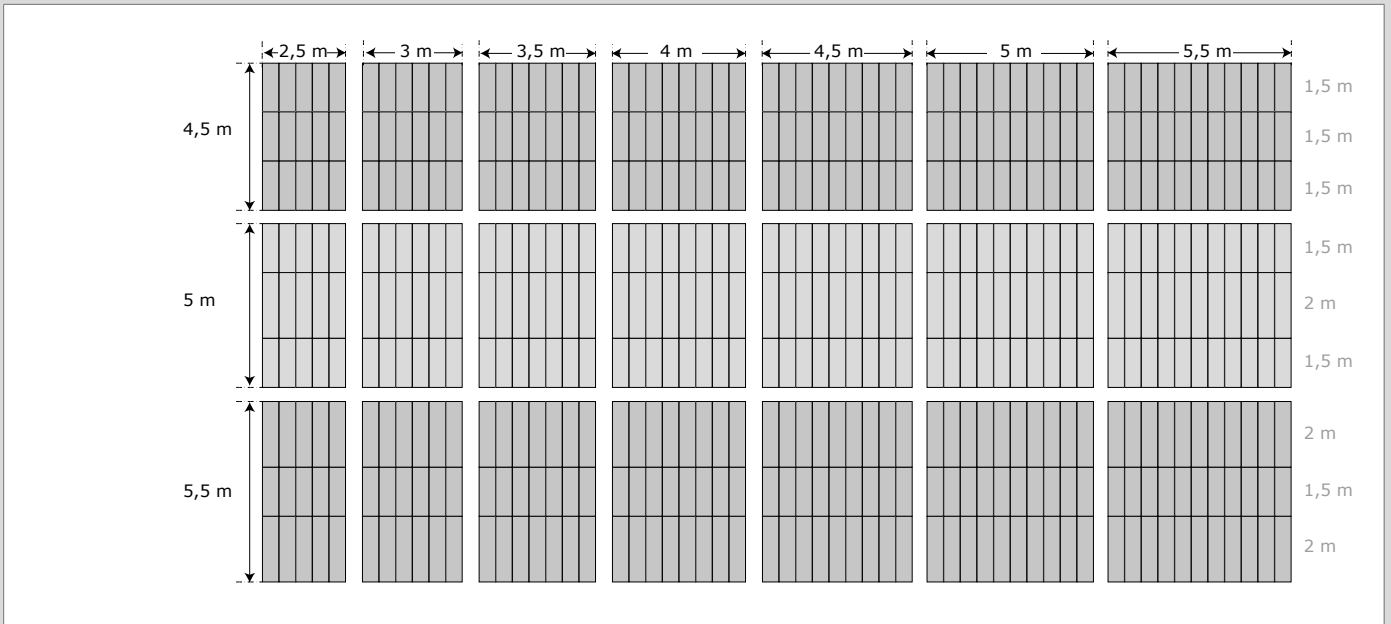
SINGLE COMPARTMENT MODULAR HOODS



DOUBLE COMPARTMENT MODULAR HOODS



TRIPLE COMPARTMENT MODULAR HOODS



SINGLE COMPARTMENT HOODS

HOOD SIZE: 1 X 1,5 M – 1,5 X 3,5 M (SINGLE)

Nominal size Effective size	1 x 1,5 m 1086 x 1586 mm	1 x 2 m 1086 x 2086 mm	1 x 2,5 m 1086 x 2586 mm	1 x 3 m 1086 x 3086 mm	1 x 3,5 m 1086 x 3586 mm
Components:					
• Main frame profile	2x 1 m 2x 1,5 m	2x 1 m 2x 2 m	2x 1 m 2x 2,5 m	2x 1 m 2x 3 m	2x 1 m 2x 3,5 m
• Corner set	2x set	2x set	2x set	2x set	2x set
• Corner cover set	1x set	1x set	1x set	1x set	1x set
• Roof panel set (basic)	1x set 1 m	1x set 1 m	1x set 1 m	1x set 1 m	1x set 1 m
• Roof panel set (extension)		1x set 1 m	2x set 1 m	3x set 1 m	1x set 1 m (1) 1x set 1 m (3)
• Connection flange	1x Ø 250 mm	1x Ø 250 mm	1x Ø 250 mm	2x Ø 250 mm	2x Ø 250 mm
• Strip bracket set	1x set (20)	1x set (4) 1x set (20)	2x set (4) 1x set (20)	3x set (4) 1x set (20)	4x set (4) 1x set (20)
• Branding set	1x set 6 m	1x set 6 m	1x set 9 m	1x set 9 m	1x set 9 m
Options:					
• Welding strips	# roll 25 m	# roll 25 m	# roll 25 m	# roll 25 m	# roll 25 m
• Leg 2/2,5/3/3,5 m	4x leg	4x leg	4x leg	4x leg	4x leg
• Floor mounting set	1x set	1x set	1x set	1x set	1x set
• Lighting fixture	1x	1x	1x	1x	1x
Weight (without options)	60 kg (132 lbs)	71 kg (157 lbs)	81 kg (179 lbs)	91 kg (201 lbs))	101 kg (223 lbs)

Nominal size Effective size	1,5 x 1,5 m 1586 x 1586 mm	1,5 x 2 m 1586 x 2086 mm	1,5 x 2,5 m 1586 x 2586 mm	1,5 x 3 m 1586 x 3086 mm	1,5 x 3,5 m 1586 x 3586 mm
Components:					
• Main frame profile	4x 1,5 m	2x 1,5 m 2x 2 m	2x 1,5 m 2x 2,5 m	2x 1,5 m 2x 3 m	2x 1,5 m 2x 3,5 m
• Corner set	2x set	2x set	2x set	2x set	2x set
• Corner cover set	1x set	1x set	1x set	1x set	1x set
• Roof panel set (basic)	1x set 1,5 m	1x set 1,5 m	1x set 1,5 m	1x set 1,5 m	1x set 1,5 m
• Roof panel set (extension)		1x set 1,5 m	2x set 1,5 m	3x set 1,5 m	1x set 1,5 m (1) 1x set 1,5 m (3)
• Connection flange	1x Ø 250 mm	1x Ø 315 mm	1x Ø 315 mm	2x Ø 250 mm	2x Ø 250 mm
• Strip bracket set	1x set (4) 1x set (20)	2x set (4) 1x set (20)	3x set (4) 1x set (20)	4x set (4) 1x set (20)	1x set (40)
• Branding set	1x set 6 m	1x set 9 m	1x set 9 m	1x set 9 m	1x set 12 m
Options:					
• Welding strips	# roll 25 m	# roll 25 m	# roll 25 m	# roll 25 m	# roll 25 m
• Leg 2/2,5/3/3,5 m	4x leg	4x leg	4x leg	4x leg	4x leg
• Floor mounting set	1x set	1x set	1x set	1x set	1x set
• Lighting fixture	#	#	#	#	#
Weight (without options)	72 kg (159 lbs)	85 kg (187 lbs)	97 kg (214 lbs)	101 kg (223 lbs)	123 kg (271 lbs)

HOOD SIZE: 1 X 4 M – 1,5 X 5,5 M (SINGLE)

Nominal size Effective size	1 x 4 m 1086 x 4086 mm	1 x 4,5 m 1086 x 4586 mm	1 x 5 m 1086 x 5086 mm	1 x 5,5 m 1086 x 5586 mm
Components:				
• Main frame profile	2x 1 m 2x 4 m	2x 1 m 2x 4,5 m	2x 1 m 2x 5 m	2x 1 m 2x 5,5 m
• Corner set	2x set	2x set	2x set	2x set
• Corner cover set	1x set	1x set	1x set	1x set
• Roof panel set (basic)	1x set 1 m			
• Roof panel set (extension)	2x set 1 m (1) 1x set 1 m (3)	2x set 1 m (3)	1x set 1 m (1) 2x set 1 m (3)	2x set 1 m (1) 2x set 1 m (3)
• Connection flange	2x Ø 250 mm	2x Ø 250 mm	2x Ø 250 mm	2x Ø 250 mm
• Strip bracket set	1x set (40)	1x set (4) 1x set (40)	2x set (4) 1x set (40)	3x set (4) 1x set (40)
• Branding set	1x set 12 m	1x set 12 m	1x set 6 m 1x set 9 m	1x set 6 m 1x set 9 m
Options:				
• Welding strips	# roll 25 m	# roll 25 m	# roll 25 m	# roll 25 m
• Leg 2/2,5/3/3,5 m	4x leg	4x leg	4x leg	4x leg
• Floor mounting set	1x set	1x set	1x set	1x set
• Lighting fixture	#	#	#	#
Weight (without options)	112 kg (247 lbs)	122 kg (269 lbs)	132 kg (291 lbs)	141 kg (311 lbs)

Nominal size Effective size	1,5 x 4 m 1586 x 4086 mm	1,5 x 4,5 m 1586 x 4586 mm	1,5 x 5 m 1586 x 5086 mm	1,5 x 5,5 m 1586 x 5586 mm
Components:				
• Main frame profile	2x 1,5 m 2x 4 m	2x 1,5 m 2x 4,5 m	2x 1,5 m 2x 5 m	2x 1,5 m 2x 5,5 m
• Corner set	2x set	2x set	2x set	2x set
• Corner cover set	1x set	1x set	1x set	1x set
• Roof panel set (basic)	1x set 1,5 m	1x set 1,5 m	1x set 1,5 m	1x set 1,5 m
• Roof panel set (extension)	2x set 1,5 m (1) 1x set 1,5 m (3)	2x set 1,5 m (3)	1x set 1,5 m (1) 2x set 1,5 m (3)	2x set 1,5 m (1) 2x set 1,5 m (3)
• Connection flange	2x Ø 315 mm	2x Ø 315 mm	2x Ø 315 mm	2x Ø 315 mm
• Strip bracket set	1x set (4) 1x set (40)	2x set (4) 1x set (40)	3x set (4) 1x set (40)	4x set (4) 1x set (40)
• Branding set	1x set 12 m	1x set 12 m	1x set 6 m 1x set 9 m	1x set 6 m 1x set 9 m
Options:				
• Welding strips	# roll 25 m	# roll 25 m	# roll 25 m	# roll 25 m
• Leg 2/2,5/3/3,5 m	4x leg	4x leg	4x leg	4x leg
• Floor mounting set	1x set	1x set	1x set	1x set
• Lighting fixture	#	#	#	#
Weight (without options)	136 kg (300 lbs)	149 kg (328 lbs)	161 kg (355 lbs)	173 kg (381 lbs)

HOOD SIZE: 2 X 1,5 M – 2 X 3,5 M (SINGLE)

Nominal size Effective size	2 x 1,5 m 2086 x 1586 mm	2 x 2 m 2086 x 2086 mm	2 x 2,5 m 2086 x 2586 mm	2 x 3 m 2086 x 3086 mm	2 x 3,5 m 2086 x 3586 mm
Components:					
• Main frame profile	2x 2 m 2x 1,5 m	4x 2 m	2x 2 m 2x 2,5 m	2x 2 m 2x 3 m	2x 2 m 2x 3,5 m
• Corner set	2x set	2x set	2x set	2x set	2x set
• Corner cover set	1x set	1x set	1x set	1x set	1x set
• Roof panel set (basic)	1x set 2 m	1x set 2 m	1x set 2 m	1x set 2 m	1x set 2 m
• Roof panel set (extension)		1x set 2 m	2x set 2 m	3x set 2 m	1x set 2 m (1) 1x set 2 m (3)
• Connection flange	1x Ø 315 mm	1x Ø 315 mm	1x Ø 400 mm	2x Ø 315 mm	2x Ø 315 mm
• Strip bracket set	2x set (4) 1x set (20)	3x set (4) 1x set (20)	4x set (4) 1x set (20)	1x set (40)	1x set (40) 1x set (4)
• Branding set	1x set 9 m	1x set 9 m	1x set 9 m	1x set 12 m	1x set 12 m
Options:					
• Welding strips	# roll 25 m	# roll 25 m	# roll 25 m	# roll 25 m	# roll 25 m
• Leg 2/2,5/3/3,5 m	4x leg	4x leg	4x leg	4x leg	4x leg
• Floor mounting set	1x set	1x set	1x set	1x set	1x set
• Lighting fixture	#	#	#	#	#
Weight (without options)	84 kg (185 lbs)	98 kg (216 lbs)	112 kg (247 lbs)	129 kg (284 lbs)	144 kg (317 lbs)

HOOD SIZE: 2 X 4 M – 2 X 5,5 M (SINGLE)

Nominal size	2 x 4 m	2 x 4,5 m	2 x 5 m	2 x 5,5 m
Effective size	2086 x 4086 mm	2086 x 4586 mm	2086 x 5086 mm	2086 x 5586 mm
Components:				
• Main frame profile	2x 2 m 2x 4 m	2x 2 m 2x 4,5 m	2x 2 m 2x 5 m	2x 2 m 2x 5,5 m
• Corner set	2x set	2x set	2x set	2x set
• Corner cover set	1x set	1x set	1x set	1x set
• Roof panel set (basic)	1x set 2 m	1x set 2 m	1x set 2 m	1x set 2 m
• Roof panel set (extension)	2x set 2 m (1) 1x set 2 m (3)	2x set 2 m (3)	1x set 2 m (1) 2x set 2 m (3)	2x set 2 m (1) 2x set 2 m (3)
• Connection flange	2x Ø 315 mm	2x Ø 315 mm	2x Ø 315 mm	2x Ø 315 mm
• Strip bracket set	2x set (4) 1x set (40)	3x set (4) 1x set (40)	4x set (4) 1x set (40)	1x set (20) 1x set (40)
• Branding set	1x set 12 m	1x set 6 m 1x set 9 m	1x set 6 m 1x set 9 m	1x set 6 m 1x set 9 m
Options:				
• Welding strips	# roll 25 m	# roll 25 m	# roll 25 m	# roll 25 m
• Leg 2/2,5/3/3,5 m	4x leg	4x leg	4x leg	4x leg
• Floor mounting set	1x set	1x set	1x set	1x set
• Lighting fixture	#	#	#	#
Weight (without options)	159 kg (351 lbs)	173 kg (381 lbs)	188 kg (414 lbs)	203 kg (448 lbs)

DOUBLE COMPARTMENT HOODS

HOOD SIZE: 2,5 X 2,5 M – 3 X 4,5 M (DOUBLE)

Nominal size Effective size	2,5 x 2,5 m 2666 x 2586 mm	2,5 x 3 m 2666 x 3086 mm	2,5 x 3,5 m 2666 x 3586 mm	2,5 x 4 m 2666 x 4086 mm	2,5 x 4,5 m 2666 x 4586 mm
Components:					
• Main frame profile	2x 2,5 m (W) 4x 2,5 m (L)	2x 2,5 m (W) 4x 3 m (L)	2x 2,5 m (W) 4x 3,5 m (L)	2x 2,5 m (W) 4x 4 m (L)	2x 2,5 m (W) 4x 4,5 m (L)
• T-bracket set	1x set	1x set	1x set	1x set	1x set
• Corner set	2x set	2x set	2x set	2x set	2x set
• Corner cover set	1x set	1x set	1x set	1x set	1x set
• Roof panel set (basic)	1x set 1 m 1x set 1,5 m	1x set 1 m 1x set 1,5 m	1x set 1 m 1x set 1,5 m	1x set 1 m 1x set 1,5 m	1x set 1 m 1x set 1,5 m
• Roof panel set (extension)	2x set 1 m (1) 2x set 1,5 m (1)	1x set 1 m (3) 1x set 1,5 m (3)	1x set 1 m (1) 1x set 1 m (3) 1x set 1,5 m (1) 1x set 1,5 m (3)	2x set 1 m (1) 1x set 1 m (3) 2x set 1,5 m (1) 1x set 1,5 m (3)	2x set 1 m (3) 2x set 1,5 m (3)
• Connection flange	2x Ø 250 mm	4x Ø 250 mm	4x Ø 250 mm	2x Ø 250 mm 2x Ø 315 mm	2x Ø 250 mm 2x Ø 315 mm
• Strip bracket set	1x set (40)	1x set (4) 1x set (40)	2x set (4) 1x set (40)	3x set (4) 1x set (40)	4x set (4) 1x set (40)
• Branding set	1x set 12 m	1x set 12 m	1x set 12 m	1x set 6 m 1x set 9 m	1x set 6 m 1x set 9 m
Options:					
• Welding strips	# roll 25 m	# roll 25 m	# roll 25 m	# roll 25 m	# roll 25 m
• Leg 2/2,5/3/3,5 m	4x leg	4x leg	4x leg	4x leg	4x leg
• Corner reinforcement	2x set	2x set	2x set	2x set	2x set
• Floor mounting set	1x set	1x set	1x set	1x set	1x set
• Lighting fixture	2x	2x	2x	2x	2x
Weight (without options)	159 kg (351 lbs)	183 kg (403 lbs)	205 kg (452 lbs)	226 kg (498 lbs)	248 kg (547 lbs)

Nominal size Effective size	3 x 2,5 m 3166 x 2586 mm	3 x 3 m 3166 x 3086 mm	3 x 3,5 m 3166 x 3586 mm	3 x 4 m 3166 x 4086 mm	3 x 4,5 m 3166 x 4586 mm
Components:					
• Main frame profile	2x 3 m (W) 4x 2,5 m (L)	2x 3 m (W) 4x 3 m (L)	2x 3 m (W) 4x 3,5 m (L)	2x 3 m (W) 4x 4 m (L)	2x 3 m (W) 4x 4,5 m (L)
• T-bracket set	1x set	1x set	1x set	1x set	1x set
• Corner set	2x set	2x set	2x set	2x set	2x set
• Corner cover set	1x set	1x set	1x set	1x set	1x set
• Roof panel set (basic)	2x set 1,5 m	2x set 1,5 m	2x set 1,5 m	2x set 1,5 m	2x set 1,5 m
• Roof panel set (extension)	1x set 1,5 m (1) 1x set 1,5 m (3)	2x set 1,5 m (3)	2x set 1,5 m (1) 2x set 1,5 m (3)	1x set 1,5 m (1) 3x set 1,5 m (3)	4x set 1,5 m (3)
• Connection flange	2x Ø 315 mm	4x Ø 250 mm	4x Ø 250 mm	4x Ø 315 mm	4x Ø 315 mm
• Strip bracket set	1x set (4) 1x set (40)	2x set (4) 1x set (40)	3x set (4) 1x set (40)	4x set (4) 1x set (40)	1x set (20) 1x set (40)
• Branding set	1x set 12 m	1x set 12 m	1x set 6 m 1x set 9 m	1x set 6 m 1x set 9 m	1x set 6 m 1x set 9 m
Options:					
• Welding strips	# roll 25 m	# roll 25 m	# roll 25 m	# roll 25 m	# roll 25 m
• Leg 2/2,5/3/3,5 m	4x leg	4x leg	4x leg	4x leg	4x leg
• Corner reinforcement	2x set	2x set	2x set	2x set	2x set
• Floor mounting set	1x set	1x set	1x set	1x set	1x set
• Lighting fixture	#	#	#	#	#
Weight (without options)	177 kg (390 lbs)	203 kg (448 lbs)	241 kg (531 lbs)	251 kg (553 lbs)	276 kg (608 lbs)

HOOD SIZE: 2,5 X 5 M – 3 X 5,5 M (DOUBLE)

Nominal size	2,5 x 5 m	2,5 x 5,5 m
Effective size	2666 x 5086 mm	2666 x 5586 mm
Components:		
• Main frame profile	2x 2,5 m (W) 4x 5 m (L)	2x 2,5 m (W) 4x 5,5 m (L)
• T-bracket set	1x set	1x set
• Corner set	2x set	2x set
• Corner cover set	1x set	1x set
• Roof panel set (basic)	1x set 1 m 1x set 1,5 m	1x set 1 m 1x set 1,5 m
• Roof panel set (extension)	1x set 1 m (1) 2x set 1 m (3) 1x set 1,5 m (1) 2x set 1,5 m (3)	2x set 1 m (1) 2x set 1 m (3) 2x set 1,5 m (1) 2x set 1,5 m (3)
• Connection flange	2x Ø 250 mm 2x Ø 315 mm	2x Ø 250 mm 2x Ø 315 mm
• Strip bracket set	1x set (40)	1x set (4) 1x set (40)
• Branding set	1x set 6 m 1x set 9 m	1x set 6 m 1x set 12 m
Options:		
• Welding strips	# roll 25 m	# roll 25 m
• Leg 2/2,5/3/3,5 m	4x leg	4x leg
• Corner reinforcement	2x set	2x set
• Floor mounting set	1x set	1x set
• Lighting fixture	2x	2x
Weight (without options)	266 kg (586 lbs)	288 kg (635 lbs)

Nominal size	3 x 5 m	3 x 5,5 m
Effective size	3166 x 5086 mm	3166 x 5586 mm
Components:		
• Main frame profile	2x 3 m (W) 4x 5 m (L)	2x 3 m (W) 4x 5,5 m (L)
• T-bracket set	1x set	1x set
• Corner set	2x set	2x set
• Corner cover set	1x set	1x set
• Roof panel set (basic)	2x set 1,5 m	2x set 1,5 m
• Roof panel set (extension)	2x set 1,5 m (1) 4x set 1,5 m (3)	1x set 1,5 m (1) 5x set 1,5 m (3)
• Connection flange	4x Ø 315 mm	4x Ø 315 mm
• Strip bracket set	1x set (4) 1x set (40)	2x set (4) 1x set (40)
• Branding set	1x set 6 m 1x set 12 m	1x set 6 m 1x set 12 m
Options:		
• Welding strips	# roll 25 m	# roll 25 m
• Leg 2/2,5/3/3,5 m	4x leg	4x leg
• Corner reinforcement	2x set	2x set
• Floor mounting set	1x set	1x set
• Lighting fixture	#	#
Weight (without options)	296 kg (631 lbs)	321 kg (708 lbs)

HOOD SIZE: 3,5 X 2,5 M – 4 X 4,5 M (DOUBLE)

Nominal size Effective size	3,5 x 2,5 m 3666 x 2586 mm	3,5 x 3 m 3666 x 3086 mm	3,5 x 3,5 m 3666 x 3586 mm	3,5 x 4 m 3666 x 4086 mm	3,5 x 4,5 m 3666 x 4586 mm
Components:					
• Main frame profile	2x 3,5 m (W) 4x 2,5 m (L)	2x 3,5 m (W) 4x 3 m (L)	2x 3,5 m (W) 4x 3,5 m (L)	2x 3,5 m (W) 4x 4 m (L)	2x 3,5 m (W) 4x 4,5 m (L)
• T-bracket set	1x set	1x set	1x set	1x set	1x set
• Corner set	2x set	2x set	2x set	2x set	2x set
• Corner cover set	1x set	1x set	1x set	1x set	1x set
• Roof panel set (basic)	1x set 1,5 m 1x set 2 m	1x set 1,5 m 1x set 2 m	1x set 1,5 m 1x set 2 m	1x set 1,5 m 1x set 2 m	1x set 1,5 m 1x set 2 m
• Roof panel set (extension)	2x set 1,5 m (1) 2x set 2 m (1)	1x set 1,5 m (3) 1x set 2 m (3)	1x set 1,5 m (1) 1x set 1,5 m (3) 1x set 2 m (1) 1x set 2 m (3)	2x set 1,5 m (1) 1x set 1,5 m (3) 2x set 2 m (1) 1x set 2 m (3)	2x set 1,5 m (3) 2x set 2 m (3)
• Connection flange	2x Ø 315 mm	2x Ø 250 mm 2x Ø 315 mm	2x Ø 250 mm 2x Ø 315 mm	4x Ø 315 mm	4x Ø 315 mm
• Strip bracket set	2x set (4) 1x set (40)	3x set (4) 1x set (40)	4x set (4) 1x set (40)	1x set (20) 1x set (40)	1x set (4) 1x set (20) 1x set (40)
• Branding set	1x set 12 m	1x set 6 m 1x set 9 m	1x set 6 m 1x set 9 m	1x set 6 m 1x set 9 m	1x set 6 m 1x set 9 m
Options:					
• Welding strips	# roll 25 m	# roll 25 m	# roll 25 m	# roll 25 m	# roll 25 m
• Leg 2/2,5/3/3,5 m	4x leg	4x leg	4x leg	4x leg	4x leg
• Corner reinforcement	2x set	2x set	2x set	2x set	2x set
• Floor mounting set	1x set	1x set	1x set	1x set	1x set
• Lighting fixture	2x	2x	2x	2x	2x
Weight (without options)	192 kg (423 lbs)	220 kg (485 lbs)	262 kg (578 lbs)	274 kg (604 lbs)	300 kg (661 lbs)

Nominal size Effective size	4 x 2,5 m 4166 x 2586 mm	4 x 3 m 4166 x 3086 mm	4 x 3,5 m 4166 x 3586 mm	4 x 4 m 4166 x 4086 mm	4 x 4,5 m 4166 x 4586 mm
Components:					
• Main frame profile	2x 4 m (W) 4x 2,5 m (L)	2x 4 m (W) 4x 3 m (L)	2x 4 m (W) 4x 3,5 m (L)	2x 4 m (W) 4x 4 m (L)	2x 4 m (W) 4x 4,5 m (L)
• T-bracket set	1x set	1x set	1x set	1x set	1x set
• Corner set	2x set	2x set	2x set	2x set	2x set
• Corner cover set	1x set	1x set	1x set	1x set	1x set
• Roof panel set (basic)	2x set 2 m	2x set 2 m	2x set 2 m	2x set 2 m	2x set 2 m
• Roof panel set (extension)	1x set 2 m (1) 1x set 2 m (3)	2x set 2 m (3)	2x set 2 m (1) 2x set 2 m (3)	1x set 2 m (1) 3x set 2 m (3)	4x set 2 m (3)
• Connection flange	2x Ø 250 mm 2x Ø 315 mm	4x Ø 315 mm	4x Ø 315 mm	4x Ø 315 mm	4x Ø 315 mm
• Strip bracket set	3x set (4) 1x set (40)	4x set (4) 1x set (40)	1x set (20) 1x set (40)	1x set (4) 1x set (20) 1x set (40)	2x set (4) 1x set (20) 1x set (40)
• Branding set	1x set 12 m	1x set 6 m 1x set 9 m	1x set 6 m 1x set 9 m	1x set 6 m 1x set 9 m	1x set 6 m 1x set 9 m
Options:					
• Welding strips	# roll 25 m	# roll 25 m	# roll 25 m	# roll 25 m	# roll 25 m
• Leg 2/2,5/3/3,5 m	4x leg	4x leg	4x leg	4x leg	4x leg
• Corner reinforcement	2x set	2x set	2x set	2x set	2x set
• Floor mounting set	1x set	1x set	1x set	1x set	1x set
• Lighting fixture	#	#	#	#	#
Weight (without options)	210 kg (463 lbs)	239 kg (527 lbs)	283 kg (624 lbs)	297 kg (655 lbs)	326 kg (719 lbs)

HOOD SIZE: 3,5 X 5 M – 4 X 4,5 M (DOUBLE)

Nominal size	3,5 x 5 m	3,5 x 5,5 m
Effective size	3666 x 5086 mm	3666 x 5586 mm
Components:		
• Main frame profile	2x 3,5 m (W) 4x 5 m (L)	2x 3,5 m (W) 4x 5,5 m (L)
• T-bracket set	1x set	1x set
• Corner set	2x set	2x set
• Corner cover set	1x set	1x set
• Roof panel set (basic)	1x set 1,5 m 1x set 2 m	1x set 1,5 m 1x set 2 m
• Roof panel set (extension)	1x set 1,5 m (1) 2x set 1,5 m (3) 1x set 2 m (1) 2x set 2 m (3)	2x set 1,5 m (1) 2x set 1,5 m (3) 2x set 2 m (1) 2x set 2 m (3)
• Connection flange	4x Ø 315 mm	4x Ø 315 mm
• Strip bracket set	2x set (4) 1x set (20) 1x set (40)	3x set (4) 1x set (20) 1x set (40)
• Branding set	1x set 6 m 1x set 12 m	1x set 6 m 1x set 12 m
Options:		
• Welding strips	# roll 25 m	# roll 25 m
• Leg 2/2,5/3/3,5 m	4x leg	4x leg
• Corner reinforcement	2x set	2x set
• Floor mounting set	1x set	1x set
• Lighting fixture	2x	2x
Weight (without options)	327 kg (721 lbs)	351 kg (774 lbs)

Nominal size	4 x 5 m	4 x 5,5 m
Effective size	4166 x 5086 mm	4166 x 5586 mm
Components:		
• Main frame profile	2x 4 m (W) 4x 5 m (L)	2x 4 m (W) 4x 5,5 m (L)
• T-bracket set	1x set	1x set
• Corner set	2x set	2x set
• Corner cover set	1x set	1x set
• Roof panel set (basic)	2x set 2 m	2x set 2 m
• Roof panel set (extension)	2x set 2 m (1) 4x set 2 m (3)	1x set 2 m (1) 5x set 2 m (3)
• Connection flange	4x Ø 315 mm	4x Ø 315 mm
• Strip bracket set	3x set (4) 1x set (20) 1x set (40)	4x set (4) 1x set (20) 1x set (40)
• Branding set	1x set 6 m 1x set 12 m	1x set 6 m 1x set 12 m
Options:		
• Welding strips	# roll 25 m	# roll 25 m
• Leg 2/2,5/3/3,5 m	4x leg	4x leg
• Corner reinforcement	2x set	2x set
• Floor mounting set	1x set	1x set
• Lighting fixture	#	#
Weight (without options)	364 kg (802 lbs)	383 kg (844 lbs)

TRIPLE COMPARTMENT HOODS

HOOD SIZE: 4,5 X 2,5 M – 5 X 4,5 M (TRIPLE)

Nominal size Effective size	4,5 x 2,5 m 4746 x 2586 mm	4,5 x 3 m 4746 x 3086 mm	4,5 x 3,5 m 4746 x 3586 mm	4,5 x 4 m 4746 x 4086 mm	4,5 x 4,5 m 4746 x 4586 mm
Components:					
• Main frame profile	2x 4,5 m (W) 6x 2,5 m (L)	2x 4,5 m (W) 6x 3 m (L)	2x 4,5 m (W) 6x 3,5 m (L)	2x 4,5 m (W) 6x 4 m (L)	2x 4,5 m (W) 6x 4,5 m (L)
• T-bracket set	2x set	2x set	2x set	2x set	2x set
• Corner set	2x set	2x set	2x set	2x set	2x set
• Corner cover set	1x set	1x set	1x set	1x set	1x set
• Roof panel set (basic)	3x set 1,5 m	3x set 1,5 m	3x set 1,5 m	3x set 1,5 m	1x set 1,5 m
• Roof panel set (extension)	2x set 1,5 m (3)	3x set 1,5 m (3)	4x set 1,5 m (3)	5x set 1,5 m (3)	6x set 1,5 m (3)
• Connection flange	3x Ø 315 mm	6x Ø 250 mm	6x Ø 250 mm	6x Ø 315 mm	6x Ø 315 mm
• Strip bracket set	4x set (4) 1x set (40)	1x set (20) 1x set (40)	1x set (4) 1x set (20) 1x set (40)	2x set (4) 1x set (20) 1x set (40)	3x set (4) 1x set (20) 1x set (40)
• Branding set	1x set 6 m 1x set 9 m	1x set 6 m 1x set 9 m	1x set 6 m 1x set 12 m	1x set 6 m 1x set 12 m	1x set 6 m 1x set 12 m
Options:					
• Welding strips	# roll 25 m	# roll 25 m	# roll 25 m	# roll 25 m	# roll 25 m
• Leg 2/2,5/3/3,5 m	4x leg	4x leg	4x leg	4x leg	4x leg
• Corner reinforcement	2x set	2x set	2x set	2x set	2x set
• Floor mounting set	1x set	1x set	1x set	1x set	1x set
• Lighting fixture	3x	3x	3x	3x	3x
Weight (without options)	234 kg (516 lbs)	269 kg (593 lbs)	316 kg (697 lbs)	333 kg (734 lbs)	363 kg (800 lbs)

Nominal size Effective size	5 x 2,5 m 5246 x 2586 mm	5 x 3 m 5246 x 3086 mm	5 x 3,5 m 5246 x 3586 mm	5 x 4 m 5246 x 4086 mm	5 x 4,5 m 5246 x 4586 mm
Components:					
• Main frame profile	2x 5 m (W) 6x 2,5 m (L)	2x 5 m (W) 6x 3 m (L)	2x 5 m (W) 6x 3,5 m (L)	2x 5 m (W) 6x 4 m (L)	2x 5 m (W) 6x 4,5 m (L)
• T-bracket set	2x set	2x set	2x set	2x set	2x set
• Corner set	2x set	2x set	2x set	2x set	2x set
• Corner cover set	1x set	1x set	1x set	1x set	1x set
• Roof panel set (basic)	2x set 1,5 m 1x set 2 m	2x set 1,5 m 1x set 2 m	2x set 1,5 m 1x set 2 m	2x set 1,5 m 1x set 2 m	2x set 1,5 m 1x set 2 m
• Roof panel set (extension)	1x set 1,5 m (1) 1x set 1,5 m (3) 2x set 2 m (1)	2x set 1,5 m (3) 1x set 2 m (3)	2x set 1,5 m (1) 2x set 1,5 m (3) 1x set 2 m (1) 1x set 2 m (3)	1x set 1,5 m (1) 3x set 1,5 m (3) 2x set 2 m (1) 1x set 2 m (3)	4x set 1,5 m (3) 2x set 2 m (3)
• Connection flange	3x Ø 315 mm	4x Ø 250 mm 2x Ø 315 mm	4x Ø 250 mm 2x Ø 315 mm	6x Ø 315 mm	6x Ø 315 mm
• Strip bracket set	1x set (20) 1x set (40)	1x set (4) 1x set (20) 1x set (40)	2x set (4) 1x set (20) 1x set (40)	3x set (4) 1x set (20) 1x set (40)	4x set (4) 1x set (20) 1x set (40)
• Branding set	1x set 6 m 1x set 9 m	1x set 6 m 1x set 12 m	1x set 6 m 1x set 12 m	1x set 6 m 1x set 12 m	1x set 9 m 1x set 12 m
Options:					
• Welding strips	# roll 25 m	# roll 25 m	# roll 25 m	# roll 25 m	# roll 25 m
• Leg 2/2,5/3/3,5 m	4x leg	4x leg	4x leg	4x leg	4x leg
• Corner reinforcement	2x set	2x set	2x set	2x set	2x set
• Floor mounting set	1x set	1x set	1x set	1x set	1x set
• Lighting fixture	#	#	#	#	#
Weight (without options)	250 kg (551 lbs)	287 kg (633 lbs)	336 kg (741 lbs)	353 kg (780 lbs)	388 kg (855 lbs)

HOOD SIZE: 4,5 X 5 M – 5 X 5,5 M (TRIPLE)

Nominal size	4,5 x 5 m	4,5 x 5,5 m
Effective size	4746 x 5086 mm	4746 x 5586 mm
Components:		
• Main frame profile	2x 4,5 m (W) 6x 5 m (L)	2x 4,5 m (W) 6x 5,5 m (L)
• T-bracket set	2x set	2x set
• Corner set	2x set	2x set
• Corner cover set	1x set	1x set
• Roof panel set (basic)	3x set 1,5 m	3x set 1,5 m
• Roof panel set (extension)	7x set 1,5 m (3)	8x set 1,5 m (3)
• Connection flange	6x Ø 315 mm	6x Ø 315 mm
• Strip bracket set	4x set (4) 1x set (20) 1x set (40)	2x set (40)
• Branding set	1x set 9 m 1x set 12 m	1x set 9 m 1x set 12 m
Options:		
• Welding strips	# roll 25 m	# roll 25 m
• Leg 2/2,5/3/3,5 m	4x leg	4x leg
• Corner reinforcement	2x set	2x set
• Floor mounting set	1x set	1x set
• Lighting fixture	3x	3x
Weight (without options)	395 kg (871 lbs)	427 kg (941 lbs)

Nominal size	5 x 5 m	5 x 5,5 m
Effective size	5246 x 5086 mm	5246 x 5586 mm
Components:		
• Main frame profile	2x 5 m (W) 6x 5 m (L)	2x 5 m (W) 6x 5,5 m (L)
• T-bracket set	2x set	2x set
• Corner set	2x set	2x set
• Corner cover set	1x set	1x set
• Roof panel set (basic)	2x set 1,5 m 1x set 2 m	2x set 1,5 m 1x set 2 m
• Roof panel set (extension)	2x set 1,5 m (1) 4x set 1,5 m (3) 1x set 2 m (1) 2x set 2 m (3)	1x set 1,5 m (1) 5x set 1,5 m (3) 2x set 2 m (1) 2x set 2 m (3)
• Connection flange	6x Ø 315 mm	6x Ø 315 mm
• Strip bracket set	2x set (40)	1x set (4) 2x set (40)
• Branding set	1x set 9 m 1x set 12 m	1x set 9 m 1x set 12 m
Options:		
• Welding strips	# roll 25 m	# roll 25 m
• Leg 2/2,5/3/3,5 m	4x leg	4x leg
• Corner reinforcement	2x set	2x set
• Floor mounting set	1x set	1x set
• Lighting fixture	#	#
Weight (without options)	432 kg (952 lbs)	456 kg (1005 lbs)

HOOD SIZE: 5,5 X 2,5 M – 5,5 X 4,5 M (TRIPLE)

Nominal size	5,5 x 2,5 m	5,5 x 3 m	5,5 x 3,5 m	5,5 x 4 m	5,5 x 4,5 m
Effective size	5746 x 2586 mm	5746 x 3086 mm	5746 x 3586 mm	5746 x 4086 mm	5746 x 4586 mm
Components:					
• Main frame profile	2x 5,5 m (W) 6x 2,5 m (L)	2x 5,5 m (W) 6x 3 m (L)	2x 5,5 m (W) 6x 3,5 m (L)	2x 5,5 m (W) 6x 4 m (L)	2x 5,5 m (W) 6x 4,5 m (L)
• T-bracket set	2x set	2x set	2x set	2x set	2x set
• Corner set	2x set	2x set	2x set	2x set	2x set
• Corner cover set	1x set	1x set	1x set	1x set	1x set
• Roof panel set (basic)	1x set 1,5 m 2x set 2 m	1x set 1,5 m 2x set 2 m	1x set 1,5 m 2x set 2 m	1x set 1,5 m 2x set 2 m	1x set 1,5 m 2x set 2 m
• Roof panel set (extension)	2x set 1,5 m (1) 1x set 2 m (1) 1x set 2 m (3)	1x set 1,5 m (3) 2x set 2 m (3)	1x set 1,5 m (1) 1x set 1,5 m (3) 2x set 2 m (1) 2x set 2 m (3)	2x set 1,5 m (1) 1x set 1,5 m (3) 1x set 2 m (1) 3x set 2 m (3)	2x set 1,5 m (3) 4x set 2 m (3)
• Connection flange	3x Ø 315 mm	2x Ø 250 mm 4x Ø 315 mm	2x Ø 250 mm 4x Ø 315 mm	6x Ø 315 mm	6x Ø 315 mm
• Strip bracket set	1x set (4) 1x set (20) 1x set (40)	2x set (4) 1x set (20) 1x set (40)	3x set (4) 1x set (20) 1x set (40)	4x set (4) 1x set (20) 1x set (40)	2x set (40)
• Branding set	1x set 6 m 1x set 12 m	1x set 6 m 1x set 12 m	1x set 6 m 1x set 12 m	1x set 9 m 1x set 12 m	1x set 9 m 1x set 12 m
Options:					
• Welding strips	# roll 25 m	# roll 25 m	# roll 25 m	# roll 25 m	# roll 25 m
• Leg 2/2,5/3/3,5 m	4x leg	4x leg	4x leg	4x leg	4x leg
• Corner reinforcement	2x set	2x set	2x set	2x set	2x set
• Floor mounting set	1x set	1x set	1x set	1x set	1x set
• Lighting fixture	#	#	#	#	#
Weight (without options)	267 kg (589 lbs)	306 kg (675 lbs)	356 kg (785 lbs)	378 kg (833 lbs)	414 kg (913 lbs)

HOOD SIZE: 5,5 X 5 M – 5,5 X 5,5 M (TRIPLE)

Nominal size	5,5 x 5 m	5,5 x 5,5 m
Effective size	5746 x 5086 mm	5746 x 5586 mm
Components:		
• Main frame profile	2x 5,5 m (W) 6x 5 m (L)	2x 5,5 m (W) 6x 5,5 m (L)
• T-bracket set	2x set	2x set
• Corner set	2x set	2x set
• Corner cover set	1x set	1x set
• Roof panel set (basic)	1x set 1,5 m 2x set 2 m	1x set 1,5 m 2x set 2 m
• Roof panel set (extension)	1x set 1,5 m (1) 2x set 1,5 m (3) 2x set 2 m (1) 4x set 2 m (3)	2x set 1,5 m (1) 2x set 1,5 m (3) 1x set 2 m (1) 5x set 2 m (3)
• Connection flange	6x Ø 315 mm	6x Ø 315 mm
• Strip bracket set	1x set (4) 2x set (40)	2x set (4) 2x set (40)
• Branding set	1x set 9 m 1x set 12 m	2x set 12 m
Options:		
• Welding strips	# roll 25 m	# roll 25 m
• Leg 2/2,5/3/3,5 m	4x leg	4x leg
• Corner reinforcement	2x set	2x set
• Floor mounting set	1x set	1x set
• Lighting fixture	#	#
Weight (without options)	450 kg (992 lbs)	486 kg (1071 lbs)