

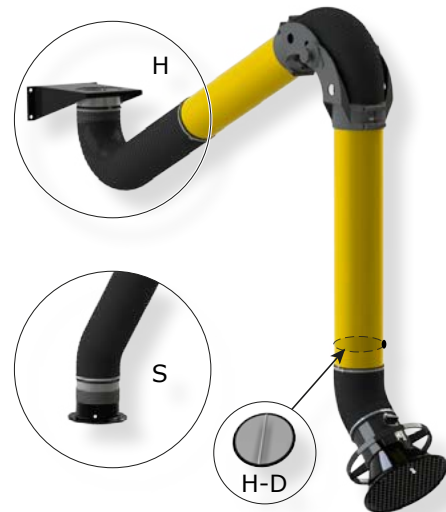
## KUA

### FLEXIBLE EXTRACTION ARM

Ball bearing extraction arm with external middle hinge. The removable hood has a safety mesh and a damper. The arm is 360° rotatable.

The KUA arm is available in four different types:

- type **H**: for hanging mounting (wall bracket included)
- type **S**: for standing mounting (e.g. on a mobile unit)
- type **ATEX**: approved for use in explosive environments Zone 22; marking EX II 3D (for hanging mounting only)
- type **H-D**: for hanging mounting, with sealed shut-off damper



### APPLICATIONS

The KUA is intended to be used for the following applications:

- MIG-MAG/GMAW welding
- TIG welding
- FCAW welding
- stick/MMAW welding



### SPECIFICATIONS

■ Physical dimensions and properties	
Diameter:	<ul style="list-style-type: none"> <li>• tubes                                   • Ø 160 mm (6.3 in.)</li> <li>• hood opening                       • Ø 300 mm (11.8 in.)</li> </ul>
Material of tubes	aluminium
Material of hoses:	<ul style="list-style-type: none"> <li>• types H and S                       • PVC with spring steel wire</li> <li>• type ATEX                             • polyethylene with spring steel wire</li> </ul>
Colour:	<ul style="list-style-type: none"> <li>• tubes                                   • yellow RAL 1004</li> <li>• hoses                                   • black</li> </ul>
■ Performance	
Recommended airflow	800-1200 m³/h (470-710 cfm)
■ Ambient and process conditions	
Process temperature:	<ul style="list-style-type: none"> <li>• min.                                     • 5°C (41°F)</li> <li>• nom.                                   • 20°C (68°F)</li> <li>• max.                                     • 70°C (158°F)</li> </ul>
Max. relative humidity	90%
Outdoor use allowed	no
Storage conditions	<ul style="list-style-type: none"> <li>• 5-45°C (41-113°F)</li> <li>• relative humidity max. 90%</li> </ul>
■ Options and accessories	
<b>KUA all types (except for ATEX versions)</b>	
S-100	manual on/off switch for hood mounting
HL-20/24-160	manual on/off switch, incl. working light
■ Product combinations	
<b>KUA-2/H   3/H   4/H (incl. ATEX versions)</b>	

FUA-1800   FUA-2100	extraction fan
FM-15   FM-25   FM-35   FM-45	extension crane
ERC	extraction rail
PA-110   PA-220	stanchion
SLE-30	extension hose
<b>KUA-2/S   3/S   4/S</b>	
MobilePro	mobile fume extractor
■ Scope of supply	
<ul style="list-style-type: none"> <li>• H types: extraction arm (in parts) – Wall bracket</li> <li>• S types: extraction arm (in parts)</li> </ul>	
■ Order information	
Number/package	1
■ Shipping data	
Harmonized Tariff Code	84219990

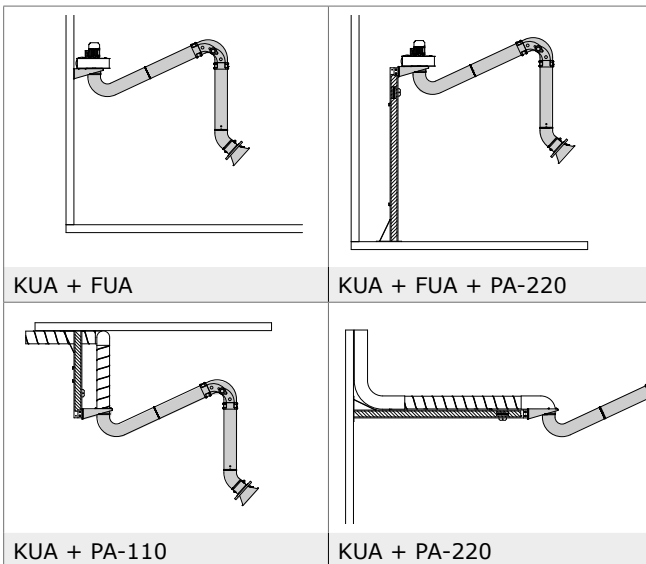
### WORKING REACH

	KUA-2/H	KUA-3/H	KUA-4/H
<b>A</b>	455 mm (1.5 ft)	950 mm (3.1 ft)	1250 mm (4.5 ft)
<b>B</b>	min. 1030 mm (3.4 ft)	min. 1335 mm (4.4 ft)	min. 1525 mm (5.0 ft)
<b>C</b>	max. 2500 mm (8.2 ft)	max. 3350 mm (11 ft)	max. 4040 mm (13.3 ft)

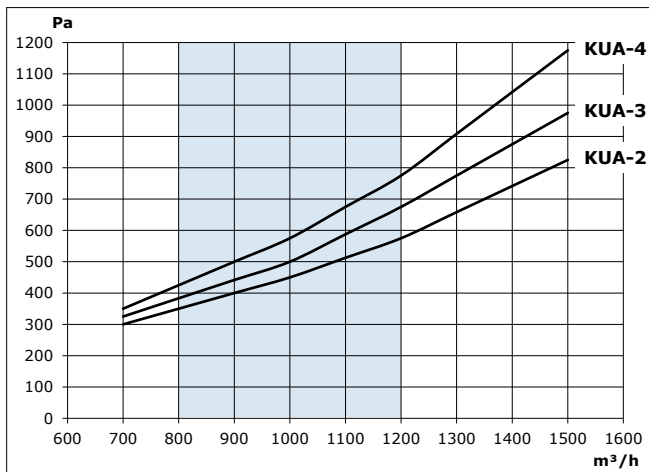
## Remaining specifications

	KUA-2/H	KUA-2/S	KUA-3/H	KUA-3/S	KUA-4/H	KUA-4/S
<b>Physical dimensions and properties</b>						
Length	2 m (6.6 ft)	2 m (6.6 ft)	3 m (9.8 ft)	3 m (9.8 ft)	4 m (13.1 ft)	4 m (13.1 ft)
Weight (net)	18,5 kg (40.8 lbs)	14 kg (30.9 lbs)	21 kg (46.3 lbs)	16 kg (35.3 lbs)	22 kg (48.5 lbs)	17 kg (37.5 lbs)
<b>Order information</b>						
Art. no.	0000101154	0000101168	0000101157	0000101170	0000101160	0000101173
Art. no. (ATEX)	0000101176	-	0000101178	-	0000101180	-
Art. no. (H-D)	0000101164	-	0000101165	-	0000101166	-
<b>Shipping data</b>						
Gross weight	20 kg (44.1 lbs)	16 kg (35.3 lbs)	21,5 kg (47.4 lbs)	19,5 kg (43.0 lbs)	23 kg (50.7 lbs)	21 kg (46.3 lbs)
Packing dimensions	1200 x 300 x 390 mm (47.2 x 11.8 x 15.4 in.)		2100 x 300 x 500 mm (82.7 x 11.8 x 19.7 in.)		2100 x 300 x 500 mm (82.7 x 11.8 x 19.7 in.)	

## MOUNTING POSSIBILITIES "H" TYPES



## PRESSURE DROP



## Application restrictions

Do **not** use the product for the following applications or in the following circumstances: polishing applications in combination with grinding, welding or any other application that generate sparks (fibres from polishing or abrasive flap disks are highly flammable and pose a high risk of filter fires when exposed to sparks) | aluminium laser cutting | oil mist | heavy oil mist in welding fume | arc-air gouging | extraction of aggressive fumes and gases (e.g. from acids, from alkaline, from soldering paste containing lithium) | extraction of hot gases (more than 70°C/158°F continuously) | grinding aluminum and magnesium | flame spraying | extraction of cement, saw dust, wood dust etc. | sucking cigarettes, cigars, oiled tissues and other burning particles, objects and acids | explosive environments or explosive substances/gases

## FEATURES & BENEFITS



Product type

**KUA**

Article no.

refer to Order information

Product category

extraction arms

Version

301117/E

Always check the latest version on [www.plymovent.com](http://www.plymovent.com)